



### 3G-PSA-Z33S

SQUARE ACOUSTIC PENDANT  
ZOIE DOWNLIGHT



Acoustic body fabricated in 1/2" thick acoustic felt  
Available in 24" and 36" with 20 color options  
3.3" square trimless Zoie downlight integration  
Lumen range up to 3000lm (80+ and 90+ CRI options)  
Companion to 3G-DZ33S pendant and Zoie downlight family  
Optional felt dust cover provides added acoustic value

<b>PROJECT:</b>		<b>TYPE:</b>	
<b>CATALOG#:</b>		<b>DATE:</b>	<b>QTY:</b>

CAT. NO	FIXTURE SIZE	ACOUSTIC BODY	LOUVER FINISH	LUMEN OUTPUT	CRI
<b>3G-PSA-Z33S</b>	<b>24 - 24"</b> <b>36 - 36"</b>	<b>BXX</b> - (SEE PAGE 2 FOR ALL COLORS)	<b>BLV</b> - BLACK <b>WLV</b> - WHITE	<b>10</b> - 1000 LUMENS <b>15</b> - 1500 LUMENS <b>22</b> - 2200 LUMENS <b>30</b> - 3000 LUMENS <sup>1</sup>	<b>S80</b> - 80+ CRI <b>H90</b> - 90+ CRI

COLOR TEMP	BEAM ANGLE	VOLTAGE	DRIVER	CABLE LENGTH
<b>27K</b> - 2700K <sup>1</sup> <b>30K</b> - 3000K <b>35K</b> - 3500K <b>40K</b> - 4000K <sup>1</sup>	<b>20D</b> - 20° <b>40D</b> - 40° <b>60D</b> - 60°	<b>UNV</b> - 120/277V <b>347</b> - 347V <sup>2</sup>	<b>DIM</b> - 0-10V (100-1%) <b>D01</b> - 0-10V (100-0.1%) <sup>3</sup> <b>DALI</b> - DALI (100-1%) <sup>3</sup> <b>DHL2</b> - LUTRON HI-LUME (1% ECOSYSTEM) <b>DMX</b> - DMX (100-0%) <sup>3</sup>	<b>60"</b> - 60" <b>120"</b> - 120"

OPTIONS
<b>JNR</b> - JOINER KIT <b>ADC</b> - ACOUSTIC DUST COVER

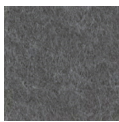
<sup>1</sup> 3000lm not available in 90CRI. 2700K only available in 90CRI and 4000K only available in 80CRI  
<sup>2</sup> 347 available in "DIM" 0-10V only (100-1%)  
<sup>3</sup> D01, DALI and DMX available up to 2200lm. DALI-2 (Type 6) provided as standard. Please consult factory for DALI (Type 8) options



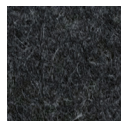
**ACOUSTIC BODY COLORS**



**BSG**  
Steel gray



**BRG**  
Rhino gray



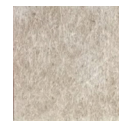
**BCH**  
Charcoal



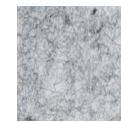
**BBK**  
Black



**BSW**  
Snow white



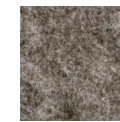
**BBE**  
Beige



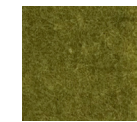
**BLM**  
Light marble



**BAG**  
Ash gray



**BDM**  
Dark marble



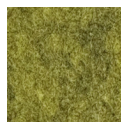
**BFG**  
Forest green



**BAP**  
Apple green



**BNG**  
Neon green



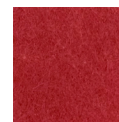
**BEG**  
Emerald green



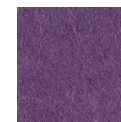
**BYE**  
Yellow



**BOR**  
Orange



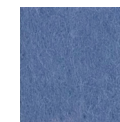
**BRE**  
Red



**BGP**  
Grape prune



**BAB**  
Admiral blue



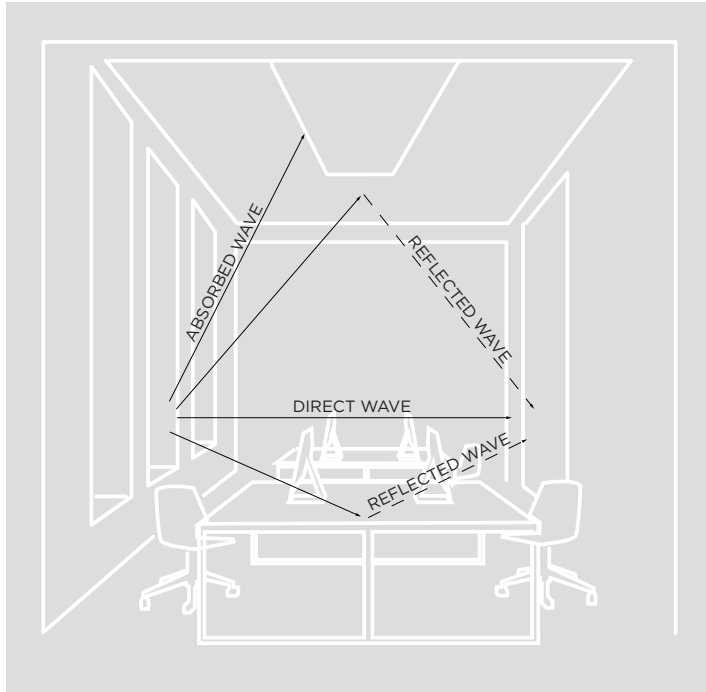
**BSB**  
Sky blue



**BTU**  
Turquoise

**SOUND WAVE IN A GIVEN SPACE**

When a sound wave is emitted from its source, it propels in all directions. The sound carries in a space unless it comes across an obstruction or an absorbing element such as carpeting, or upholstery. Harder materials will enable sound waves to reverberate in the space for a longer period of time. A sound can be direct like a face to face conversation and it can be reflected back from a hard surface.



**REVERBERATION**

The persistence of sound after it has been stopped due to multiple reflections from surfaces within a closed space



**T60 : REVERBERATION TIME**

The time it takes for a sound to decay by 60 dB once the source of sound has stopped. Reverberation time is the basic acoustical property of a room which depends only on its dimensions and the absorptive properties of its surfaces and contents. An acceptable value for class rooms and libraries ranges between 0.5-0.9 seconds. A suitable value for open offices and conference rooms ranges between 0.7 and 1.25 seconds



**NRC - NOISE ABSORPTION COEFFICIENT**

The Noise Reduction Coefficient is a scalar representation of the amount of sound energy absorbed upon striking a particular surface. an NRC of 0 indicates perfect reflection. an NRC of 1 indicates perfect absorption. Higher number equals better performance.



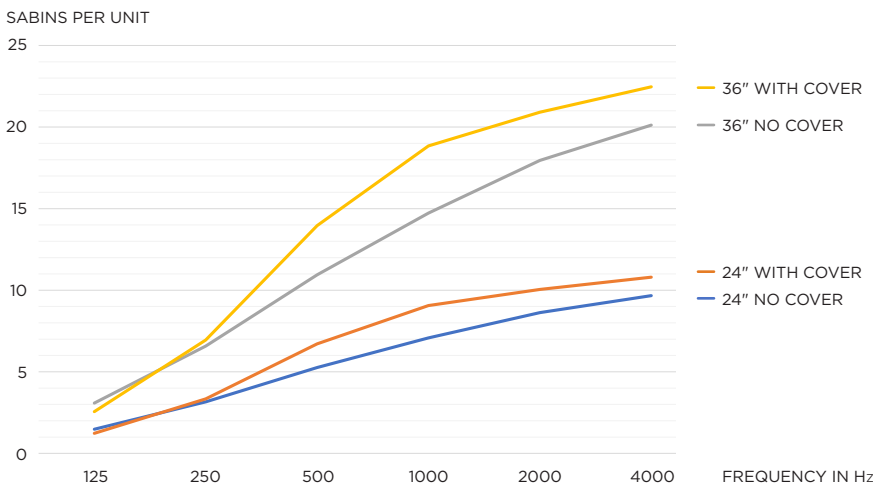
**SABIN**

A unit of sound absorption based on one square foot of material. Products with higher Sabin values provide more sound absorption.

**SABIN COUNT**

The sum total of the absorption coefficients in a room. Stronger NRC values will deliver higher Sabin counts.

**ACOUSTIC PERFORMANCE**



**OPTICS**

3.3" aperture with regressed LED source for maximum visual comfort  
 High gloss black or white louvers with proprietary optics and no glare  
 Polycarbonate multi-faceted reflectors  
 Available in 20°, 40° and 60°  
 UGR <10

**ACOUSTIC HOUSING**

Acoustic housing fabricated in 1/2" thick acoustic felt  
 Optional felt dust cover provides added acoustic value  
 Acoustic NRC value up to 0.9  
 Produced with recycled polyester fiber and +/- 60% from recycled water bottles  
 Material is 100% recyclable  
 0% VOC's  
 Fire rating ASTM E-84 Class A / CAN ULC S102

**MOUNTING**

Adjustable aircraft cable suspension with locking fasteners  
 Standard, 18-gauge, 5 conductor single circuit power feed (clear braided finish)  
 All mounting canopies provided in white finish as standard  
 Suitable for various architectural ceilings (see mounting details)  
 Fixture weight: including cover: +/- 9 lbs (24"), +/- 14 lbs (36")

**LED SYSTEM**

Osram LED source  
 Color consistency <2 SDCM  
 80+ and 90+ CRI  
 27K, 30K, 35K, and 40K  
 L90 >60,000 hours

**ELECTRICAL**

Standard 0-10V, constant current drivers with 100-1% dimming range and >0.9 power factor  
 Standard 120/277V universal voltage with several driver options  
 Integral drivers are easily accessible above or through luminaire aperture

**LISTING**

ETL listed and conforms to UL1598 standard. Certified to CSA22.2 NO.250.0. Suitable for dry locations

**WARRANTY**

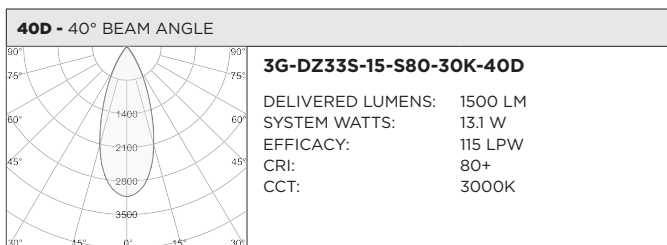
5 Year Warranty on LED and drivers Manufacturer  
 1 Year Warranty for defects in material and workmanship under normal use  
 Ambient temperature at fixture should not exceed 25°C

**DOWNLIGHT PERFORMANCE**

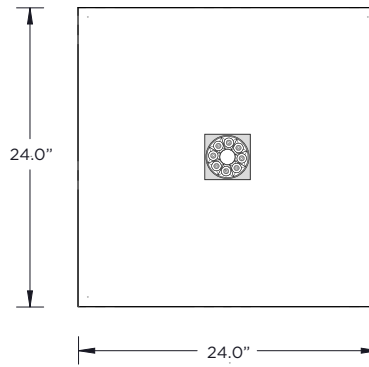
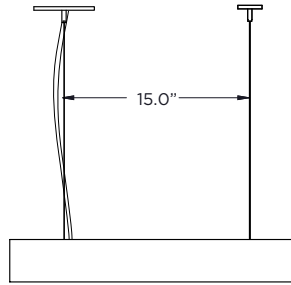
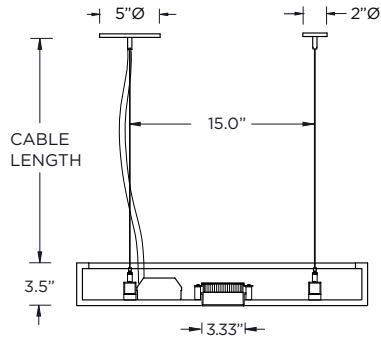
**DZ33S - BASED ON 40° AND 3000K SOURCE**

80+ CRI			90+ CRI		
DELIVERED LUMENS	SYSTEM WATTS	EFFICACY (LPW)	DELIVERED LUMENS	SYSTEM WATTS	EFFICACY (LPW)
700	5.7	123	700	7.1	99
1000	8.5	117	1000	10.1	99
1500	13.1	115	1500	15.7	96
2200	20.3	108	2200	24.3	91
3000	30.7	98	N/A	N/A	N/A

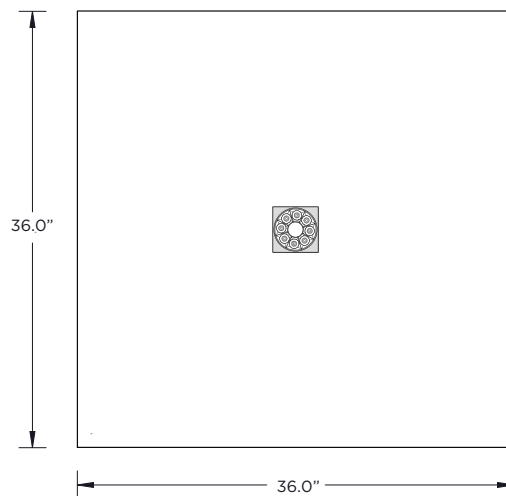
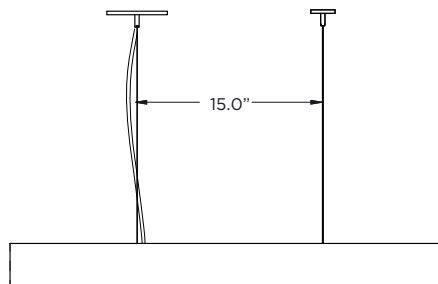
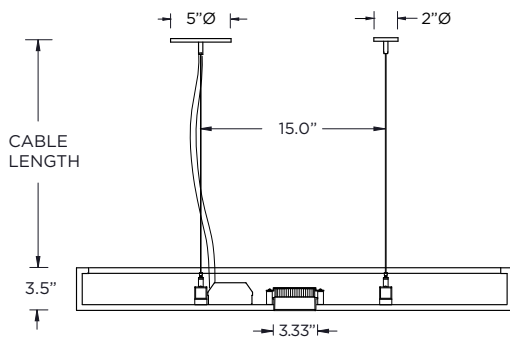
LUMEN OUTPUT MULTIPLIER FOR 80CRI: 27K=N/A, 30K=1.00, 35K=0.98, 40K=1.06  
 LUMEN OUTPUT MULTIPLIER FOR 90CRI: 27K=0.80, 30K=0.85, 35K=0.86, 40K=N/A

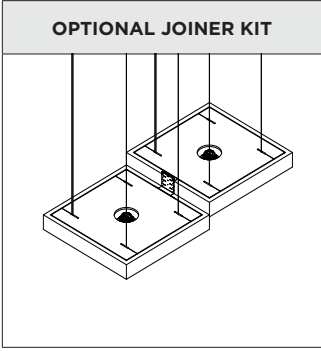


**24" PENDANT**

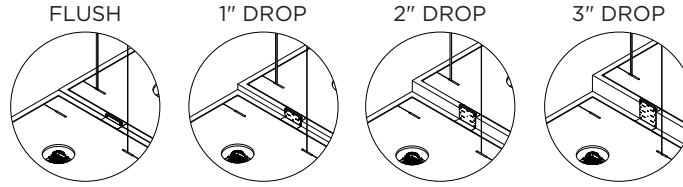


**36" PENDANT**

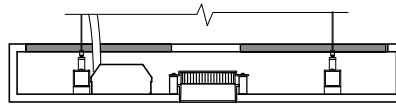
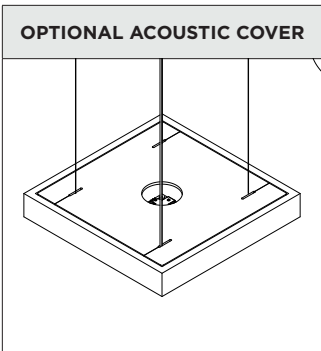




**ADJUSTABLE TO 4 HEIGHT OPTIONS**



Optional Joiner kit can be installed to align multiple pendants  
Brackets attach to the top of each fixture with 4 different mounting positions  
Kits ordered separately and installed by others



Optional acoustic dust cover  
Made from 1/2" thick acoustic felt  
Provides enhanced acoustic value

**MOUNTING DETAILS**

