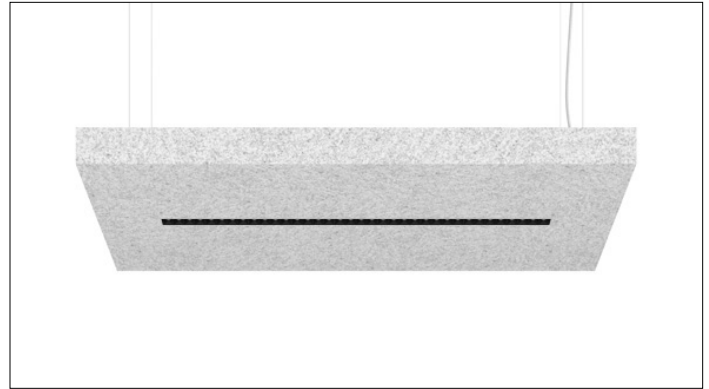


3G LIGHTING

3G-PQA-1ZL

RECTANGLE ACOUSTIC PENDANT
ZOIE LINEAR



Acoustic body fabricated in 1/2" thick acoustic felt
Available in 4', 5', 6' and 8' lengths with 20 color options
1.5" aperture with one piece, trimless, extruded aluminum housing
High performance, mini downlights delivering up to 1250 lumens per foot
Features matte black or matte white multi-faceted louvers
Regressed LED source with enhanced glare control, UGR <16
Companion to 1.5" linear Zoie slot series
Optional felt dust cover provides added acoustic value

PROJECT:		TYPE:	
CATALOG#:		DATE:	QTY:

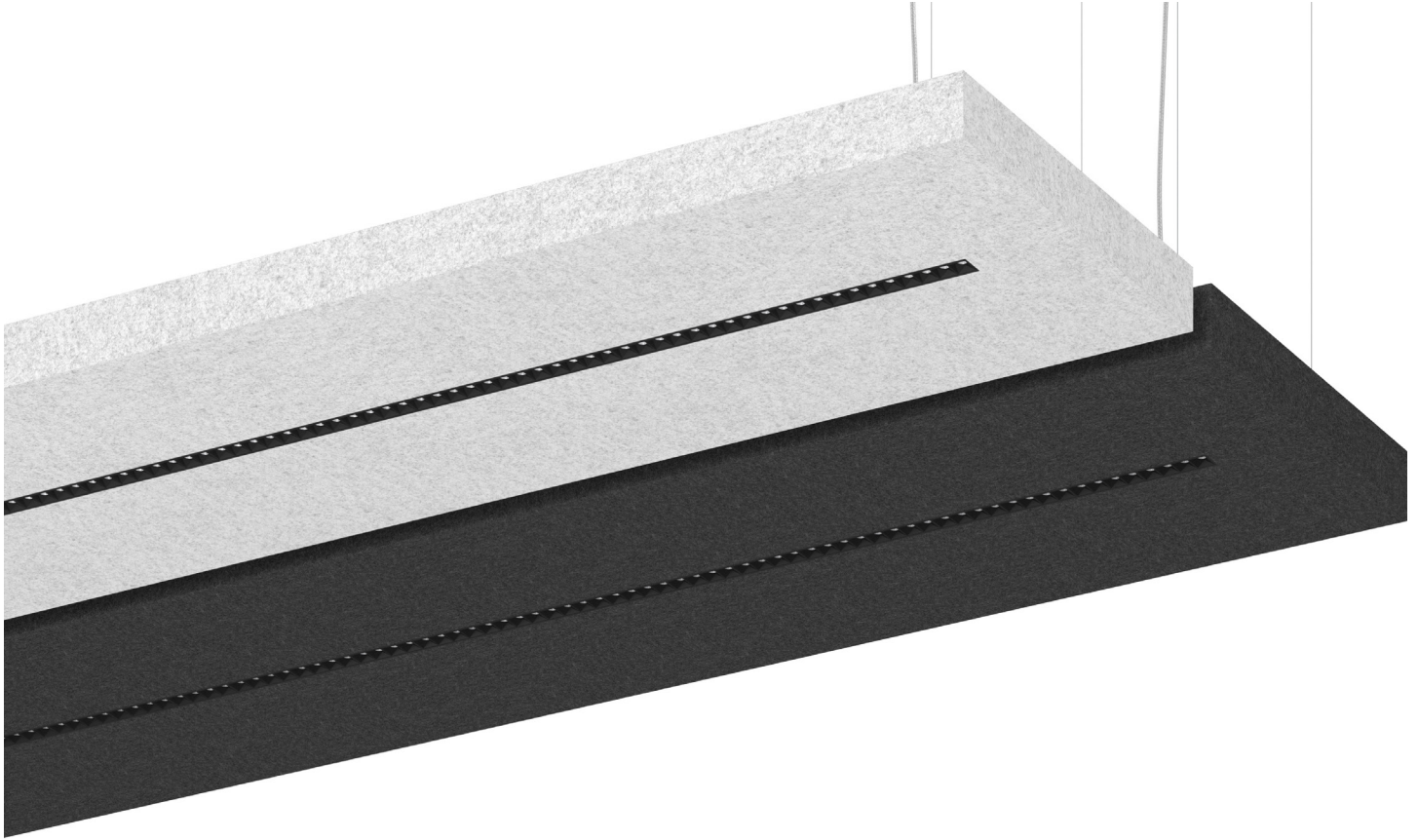
CAT. NO	FIXTURE SIZE	ACOUSTIC BODY	LOUVER FINISH	LUMEN OUTPUT	CRI
3G-PQA-1ZL	2448 - 24"x48" 2460 - 24"x60" 2472 - 24"x72" 2496 - 24"x96"	BXX - (SEE PAGE 2 FOR ALL COLORS)	BLV - BLACK WLV - WHITE	D250 - 250 LM/FT D500 - 500 LM/FT D750 - 750 LM/FT D1000 - 1000 LM/FT D1250 - 1250 LM/FT	H90 - 90+ CRI

COLOR TEMP	BEAM ANGLE	VOLTAGE	DRIVER	CABLE LENGTH
27K - 2700K 30K - 3000K 35K - 3500K 40K - 4000K	15D - 15° 35D - 35° 55D - 55°	UNV - 120/277V 120 - 120V	DIM - 0-10V (100-1%) LE - PHASE DIM (TRIAC/ELV, 100-1%) ¹ D01 - 0-10V (100-0.1%) DALI - DALI (100-1%) ² DHL2 - LUTRON HI-LUME (1% ECOSYSTEM)	60" - 60" 120" - 120"

OPTIONS
JNR - JOINER KIT ADC - ACOUSTIC DUST COVER

¹ Phase dimming options available in 120V only

² DALI-2 (Type 6) provided as standard. Please consult factory for DALI (Type 8) options

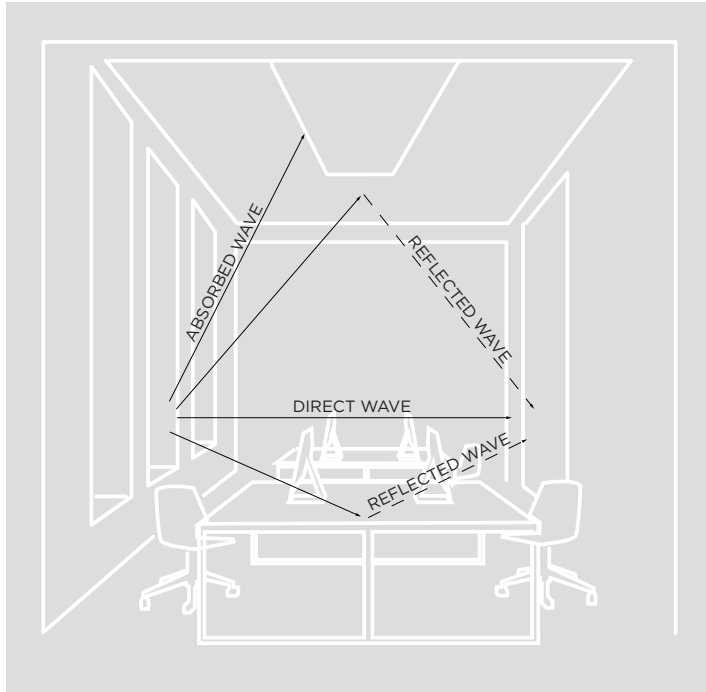


ACOUSTIC BODY COLORS

									
BSG Steel gray	BRG Rhino gray	BCH Charcoal	BBK Black	BSW Snow white	BBE Beige	BLM Light marble	BAG Ash gray	BDM Dark marble	BFG Forest green
									
BAP Apple green	BNG Neon green	BEG Emerald green	BYE Yellow	BOR Orange	BRE Red	BGP Grape prune	BAB Admiral blue	BSB Sky blue	BTU Turquoise

SOUND WAVE IN A GIVEN SPACE

When a sound wave is emitted from its source, it propels in all directions. The sound carries in a space unless it comes across an obstruction or an absorbing element such as carpeting, or upholstery. Harder materials will enable sound waves to reverberate in the space for a longer period of time. A sound can be direct like a face to face conversation and it can be reflected back from a hard surface.



REVERBERATION

The persistence of sound after it has been stopped due to multiple reflections from surfaces within a closed space



T60 : REVERBERATION TIME

The time it takes for a sound to decay by 60 dB once the source of sound has stopped. Reverberation time is the basic acoustical property of a room which depends only on its dimensions and the absorptive properties of its surfaces and contents. An acceptable value for class rooms and libraries ranges between 0.5-0.9 seconds. A suitable value for open offices and conference rooms ranges between 0.7 and 1.25 seconds



NRC - NOISE ABSORPTION COEFFICIENT

The Noise Reduction Coefficient is a scalar representation of the amount of sound energy absorbed upon striking a particular surface. an NRC of 0 indicates perfect reflection. an NRC of 1 indicates perfect absorption. Higher number equals better performance.



SABIN

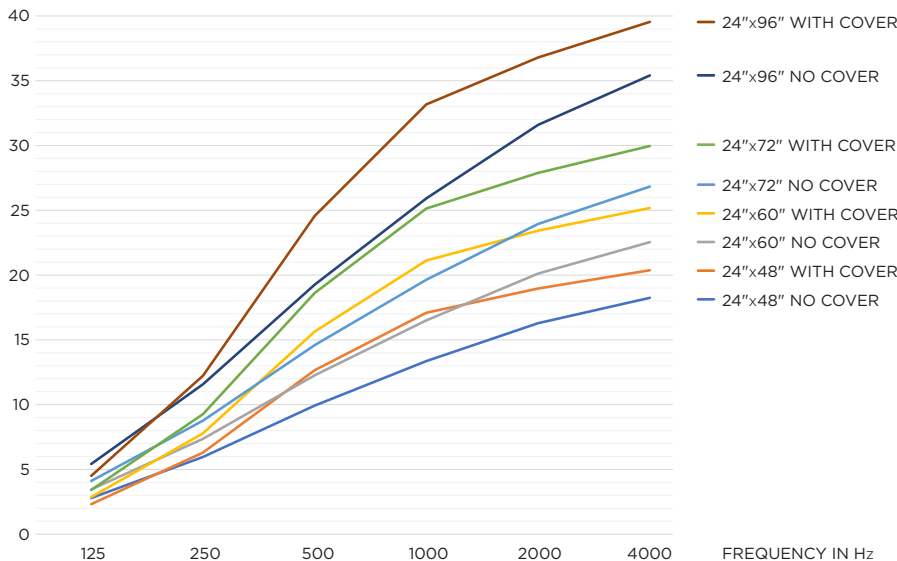
A unit of sound absorption based on one square foot of material. Products with higher Sabin values provide more sound absorption.

SABIN COUNT

The sum total of the absorption coefficients in a room. Stronger NRC values will deliver higher Sabin counts.

ACOUSTIC PERFORMANCE

SABINS PER UNIT



OPTICS

1" apertures with matte black or matte white multi-faceted louvers
 Regressed LED source for enhanced glare control
 Proprietary polycarbonate multi-faceted reflectors
 available in 15°, 35° and 55°
 UGR <16

HOUSING

Extruded aluminum housing with 1.5" aperture
 24-gauge LED reflector with high reflectance white powder coated finish
 Standard polyester powder coated finishes include matte white and black

ACOUSTIC HOUSING

Acoustic housing fabricated in 1/2" thick acoustic felt
 Optional felt dust cover provides added acoustic value
 Acoustic NRC value up to 0.9
 Produced with recycled polyester fiber and +/- 60% from recycled water bottles
 Material is 100% recyclable
 0% VOC's
 Fire rating ASTM E-84 Class A / CAN ULC S102

MOUNTING

Adjustable aircraft cable suspension with locking fasteners
 Standard, 18-gauge, 5 conductor single circuit power feed (clear braided finish)
 All mounting canopies provided in white finish as standard
 Suitable for various architectural ceilings (see mounting details)
 Fixture weight including cover: +/- 5 lbs/ft

LED SYSTEM

Osram LED source
 Color consistency <2 SDCM
 80+ and 90+ CRI
 27K, 30K, 35K, and 40K
 L90 >60,000 hours

ELECTRICAL

Standard 0-10V, constant current drivers with 100-1% dimming range and >0.9 power factor
 Standard 120/277V universal voltage with several driver options
 Integral drivers are easily accessible through luminaire aperture

LISTING

ETL listed and conforms to UL1598 standard. Certified to CSA22.2 NO.250.0. Suitable for dry locations

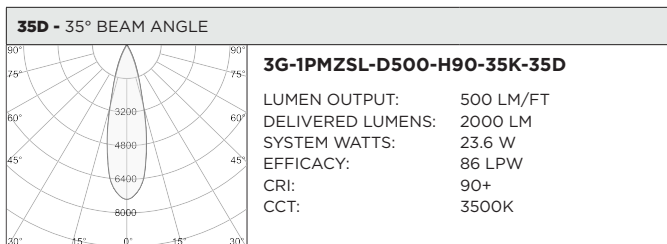
WARRANTY

5 Year Warranty on LED and drivers Manufacturer
 1 Year Warranty for defects in material and workmanship under normal use
 Ambient temperature at fixture should not exceed 25°C

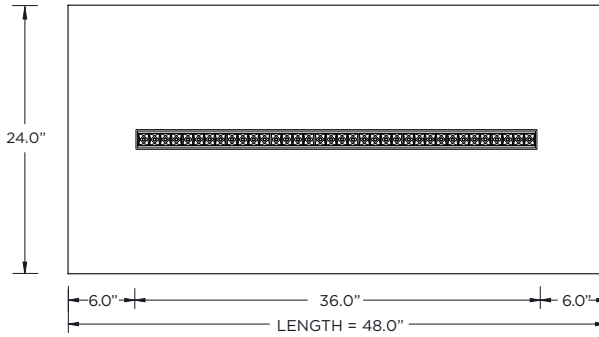
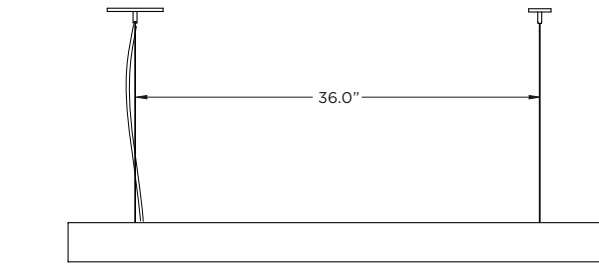
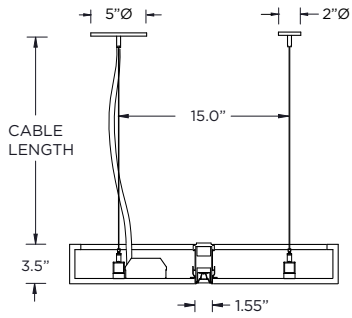
BASED ON 35°, 90+ CRI AND 3500K SOURCE

FIXTURE LENGTH	DELIVERED LUMENS (LM/FT)	SYSTEM WATTS (W/FT)	EFFICACY (LPW)
4' - ZOIE DIRECT	250	3.0	85
	500	5.9	86
	750	8.7	89
	1000	11.4	90
	1250	13.9	91

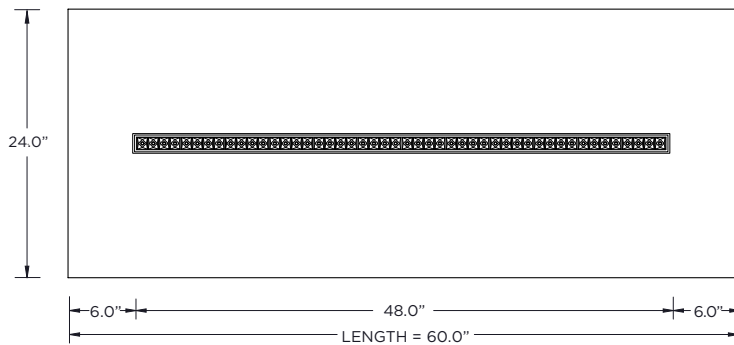
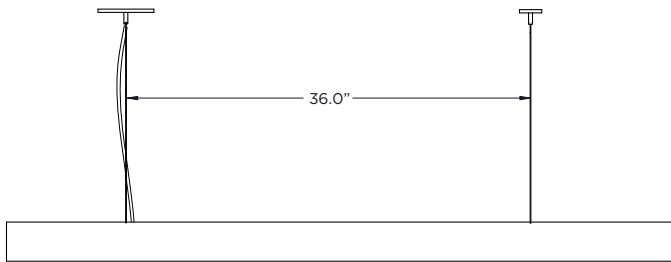
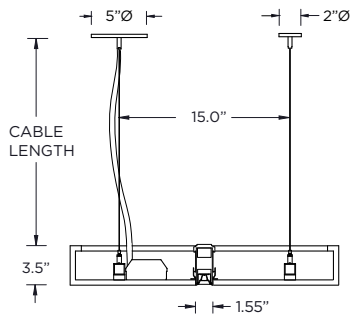
LUMEN OUTPUT MULTIPLIER: 27K=0.94, 30K=0.97, 35K=1.00, 40K=1.01, 90CRI=0.88



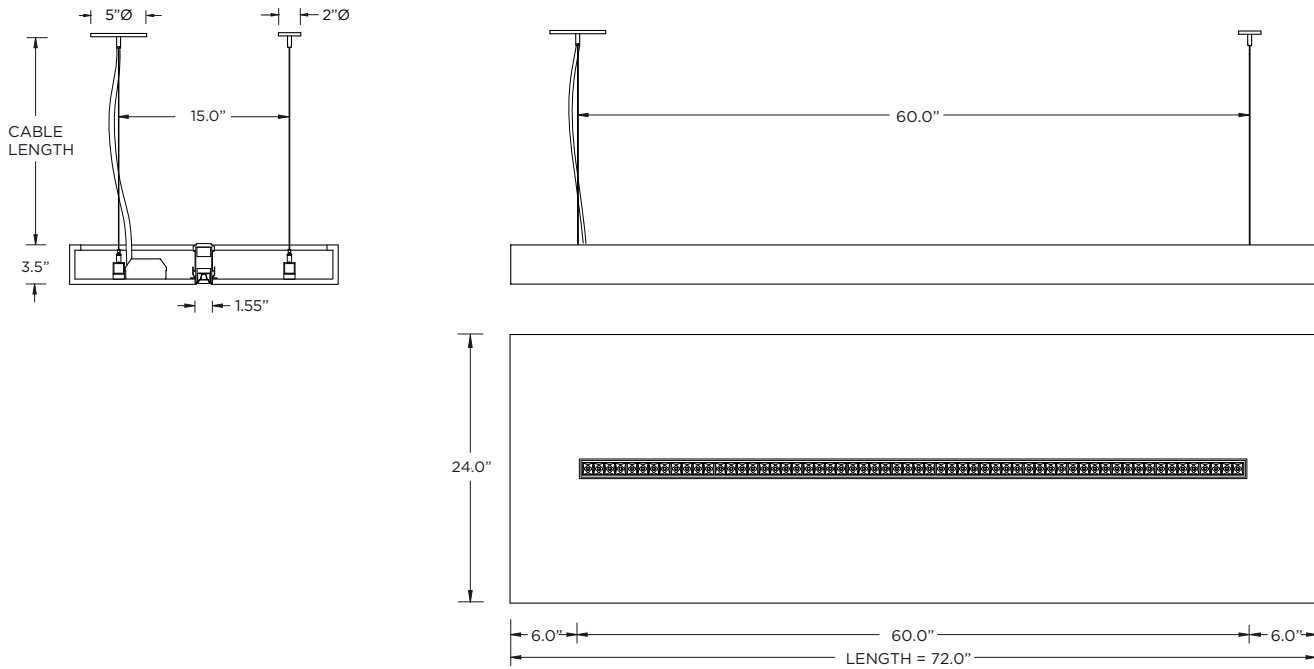
24"x48" PENDANT



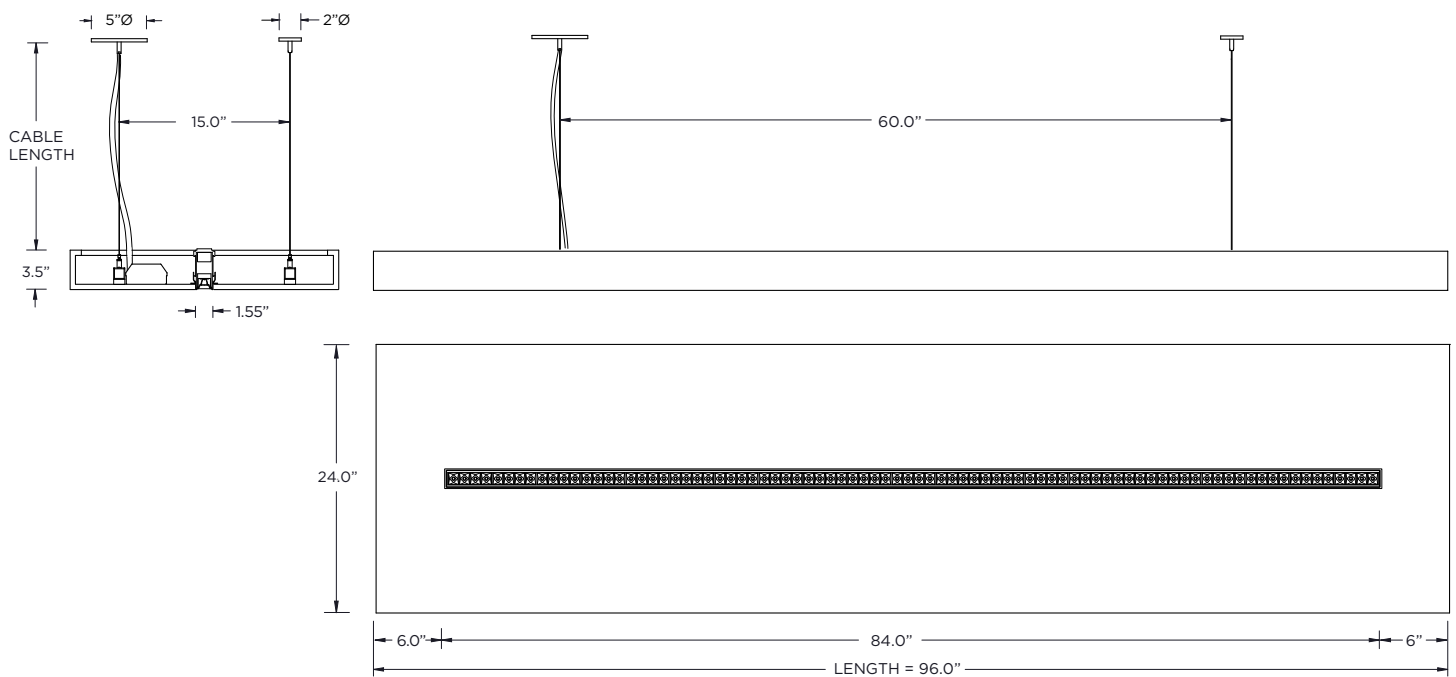
24"x60" PENDANT

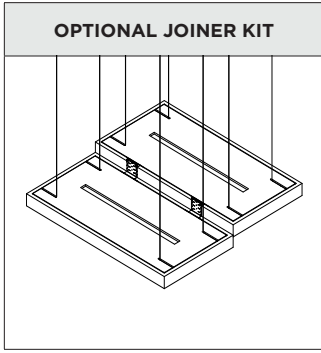


24"x72" PENDANT

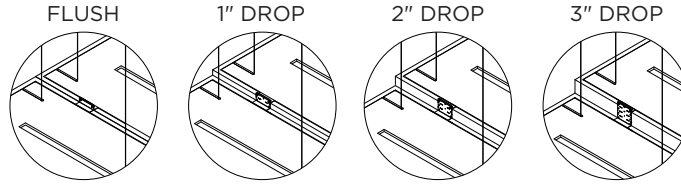


24"x96" PENDANT

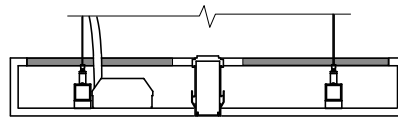
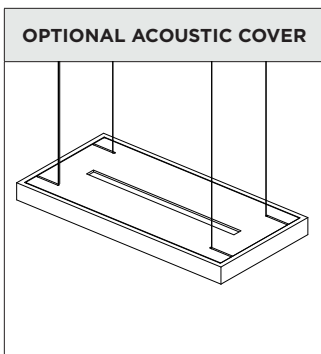




ADJUSTABLE TO 4 HEIGHT OPTIONS



Optional Joiner kit can be installed to align multiple pendants
Brackets attach to the top of each fixture with 4 different mounting positions
Kits ordered separately and installed by others



Optional acoustic dust cover
Made from 1/2" thick acoustic felt
Provides enhanced acoustic value

MOUNTING DETAILS

