

# 3G LIGHTING

## 3G-58RMSL

5.8" RECESSED MADISON SLOT  
TRIM, TRIMLESS & FLANGELESS

Designed for continuous runs in various configurations  
Suitable for drywall, wood, and various architectural ceilings  
Machined aluminum double gimbals. Adjustable and lockable  
Individual fixture heads can slide within the channel  
Easily adjustable in the field for maximum flexibility  
Lumen range of 1000lm to 5000lm (80+, 90+, and 97+ CRI options)  
1% dimming standard with several integral driver options



### ORDERING INFORMATION

<b>PROJECT:</b>	<input type="text"/>	<b>TYPE:</b>	<input type="text"/>
<b>CATALOG #:</b>	<input type="text"/>	<b>DATE:</b>	<input type="text"/>

CAT. NO	LUMEN OUTPUT	CRI	COLOR TEMP	BEAM ANGLE	VOLTAGE	DRIVER
<b>3G-58RMSL</b>	<b>10</b> - 1000 LUMENS	<b>S80</b> - 80+CRI (STANDARD)	<b>27K</b> - 2700K	<b>10D</b> - 10° <sup>3</sup>	<b>UNV</b> -120/277V <sup>4</sup>	<b>DIM</b> - 0-10V (STANDARD 100-1%) <b>DHL2</b> - LUTRON HI-LUME LDE (100-1% ECOSYSTEM) <b>DALI</b> - DALI (100-1%) <b>LE</b> - PHASE DIMMING <sup>5</sup> (TRIAC/ELV, 100-1%, 120V ONLY) <b>D01</b> - 0-10V (100-0.1%) <b>DMX</b> - DMX (100-0%)
	<b>15</b> - 1500 LUMENS		<b>30K</b> - 3000K	<b>20D</b> - 20°		
	<b>22</b> - 2200 LUMENS	<b>H90</b> - 90+ CRI <sup>1</sup>	<b>35K</b> - 3500K	<b>40D</b> - 40°	<b>277</b> - 277V	
	<b>30</b> - 3000 LUMENS	<b>H97</b> - 97+ CRI <sup>2</sup>	<b>40K</b> - 4000K	<b>60D</b> - 60°	<b>347</b> - 347V (0-10V ONLY)	
	<b>40</b> - 4000 LUMENS					
	<b>50</b> - 5000 LUMENS					

FLANGE TYPE	GIMBAL FINISH	HOUSING	OPTIONS	LENGTH (FEET)	LAMP SPACING
<b>WT</b> - WHITE TRIM <b>XTR</b> - TRIMLESS <b>FX</b> - FLANGELESS	<b>NG</b> - NATURAL ALUMINUM <b>BG</b> - BLACK <b>WG</b> - WHITE	<b>BK</b> - BLACK (STANDARD) <b>WH</b> - WHITE	<b>CP</b> - CHICAGO PLENUM <b>2C</b> - 2 CIRCUIT <b>SF70</b> - SOFTENING LENS <b>LS70</b> - LINEAR SPREAD <b>HXB70</b> - BLACK HEXCELL LOUVER <b>EMR</b> - EMERGENCY BATTERY <sup>6</sup> <small>Maximum 3 optical accessories</small>	<b>S</b> - ____' (STRAIGHT RUN) <b>L</b> - ____' X ____' (L-SHAPE) <b>U</b> - ____' X ____' X ____' (U-SHAPE) <b>R</b> - ____' X ____' (RECTANGLE/SQUARE) <small>Available in 6" increments</small>	<b>12</b> - 12" <b>18</b> - 18" <b>24</b> - 24" <b>CUS (xx)</b> - CUSTOM <small>Specify number of fixture heads (XX)</small>

<sup>1</sup> 90+ CRI available up to 4000lm  
<sup>2</sup> 97+ CRI available up to 3000lm  
<sup>3</sup> 10 degree reflector available up to 2200lm

<sup>4</sup> Universal voltage (120/277) available up to 2200lm  
Not available with "LE" Phase dimming driver option  
<sup>5</sup> Forward phase/Reverse phase driver available in 120V only  
<sup>6</sup> Emergency battery installed remotely by others. Not accessible through the inside of the fixture

### PERFORMANCE CHART (Per fixture head)

#### 80+ CRI (Based on 35K and 40° Beam Angle)

LUMEN OUTPUT	SYSTEM WATTS	DELIVERED LUMENS	EFFICACY LM/W
1000 LUMENS	10.0	921	91.8
1500 LUMENS	14.0	1289	91.8
2200 LUMENS	20.7	1896	91.8
3000 LUMENS	32.9	2578	78.3
4000 LUMENS	44.6	3345	75.0
5000 LUMENS	54.2	3932	72.6

#### 90+ CRI (Based on 35K and 40° Beam Angle)

LUMEN OUTPUT	SYSTEM WATTS	DELIVERED LUMENS	EFFICACY LM/W
1000 LUMENS	10.0	788	78.6
1500 LUMENS	16.0	1261	78.6
2200 LUMENS	24.8	1948	78.6
3000 LUMENS	32.9	2252	68.4
4000 LUMENS	44.6	2944	66.0
5000 LUMENS	N/A	N/A	N/A

#### 97+ CRI (Based on 35K and 40° Beam Angle)

LUMEN OUTPUT	SYSTEM WATTS	DELIVERED LUMENS	EFFICACY LM/W
1000 LUMENS	10.0	692	69.0
1500 LUMENS	16.0	1107	69.0
2200 LUMENS	24.8	1710	69.0
3000 LUMENS	32.9	2035	61.8
4000 LUMENS	N/A	N/A	N/A
5000 LUMENS	N/A	N/A	N/A

LUMEN OUTPUT ADJUSTMENT FACTORS: (27K=0.945) (30K=0.985) (35K=1.00) (40K=1.01)

EDITION 02/20



**3G-58RMSL**

LIGHTING 5.8" RECESSED MADISON SLOT - TRIM, TRIMLESS & FLANGELESS

## TECHNICAL

### HOUSING

Housing constructed in extruded aluminum and cold rolled steel  
Designed for continuous runs in linear, right angle, square, and rectangular configurations  
Individual fixture heads can slide left or right within the channel. Easily adjustable in the field  
Maximum ceiling thickness of 1.75". Consult factory for modifications  
Standard matte black powder coated finish with optional matte white finish

### TRIM

Trim flange with matte white powder coated finish and minimal 0.375" overlap

### TRIMLESS

Extruded aluminum mudding flange  
Integral aluminum blocking support provided to ensure fixture is properly secured within ceiling structure

### ADJUSTABILITY

Solid aluminum double gimbal with dual axis adjustability  
Each double gimbal can be locked in place

### OPTICS

Regressed LED source for enhanced glare control  
Proprietary anodized, aluminum reflectors are field replaceable  
Available in 10°, 20°, 40° and 60°

### ELECTRICAL

Standard 0-10V, 100-1% dimming and 0.9 power factor  
Standard 120/277V universal voltage drivers. Optional 347V 0-10V driver  
Lutron EcoSystem and eLdLED Dali options available with 100-1% dimming  
120V Forward Phase/Reverse Phase driver option with 100-1% dimming  
Fixture is pre-wired and rated for through branch wiring  
Individual sections can be wired independently  
All drivers are integral and easily accessible through the aperture  
Emergency Battery: 90 minutes

### LED SYSTEM

Citizen LED module (field replaceable)  
Color consistency < 2 SDCM  
Standard (80+CRI). Optional (90+ and 97+CRI)  
Available in 27K, 30K, 35K, and 40K  
L90 > 50,000 hours at 105°C  
5 year warranty

### MOUNTING

New construction housing suspended via 1/4" threaded rod or suspension cables  
Trim fixture designed for use in drywall, wood, and other architectural ceiling materials  
Trimless fixture designed for use in drywall, mud-in ceiling applications  
Flangeless fixture designed for use in wood ceilings

### LISTING

ETL listed and tested to UL standards. Suitable for dry and damp locations

### WARRANTY

5 Year warranty on LED and drivers  
Manufacturer 1 year warranty for defects in material and workmanship under normal use  
Ambient temperature at fixture should not exceed 25°C

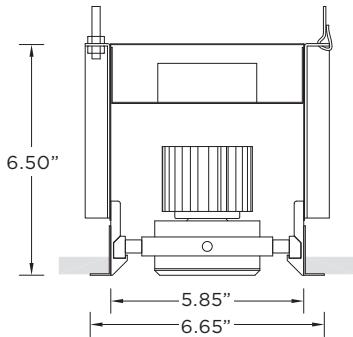


**3G-58RMSL**

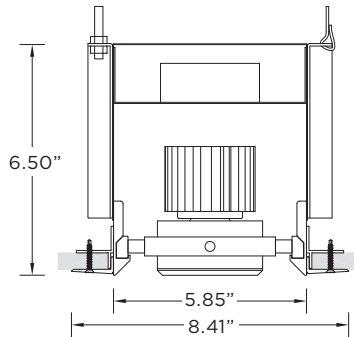
LIGHTING 5.8" RECESSED MADISON SLOT - TRIM, TRIMLESS & FLANGELESS

**DRAWINGS AND DIMENSIONS**

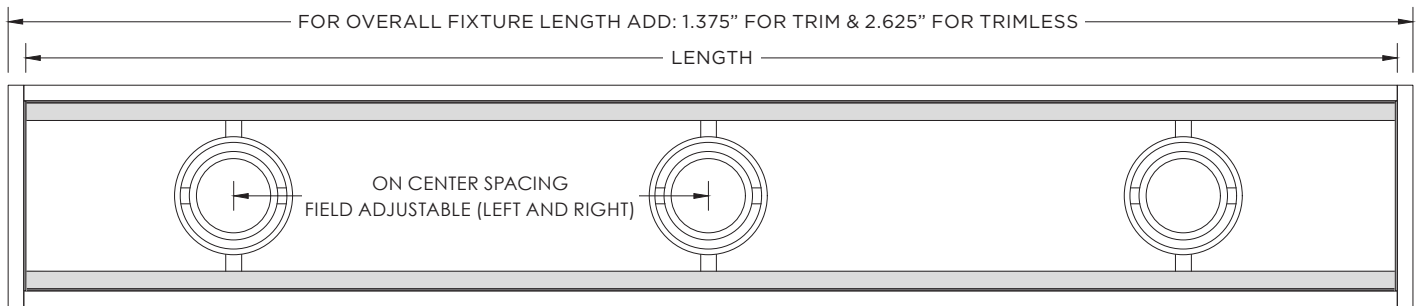
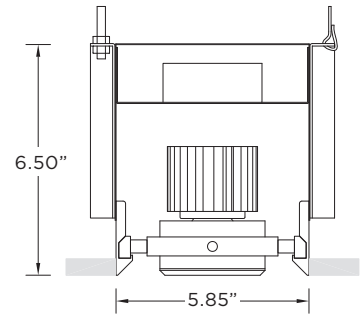
**WT - WHITE TRIM**



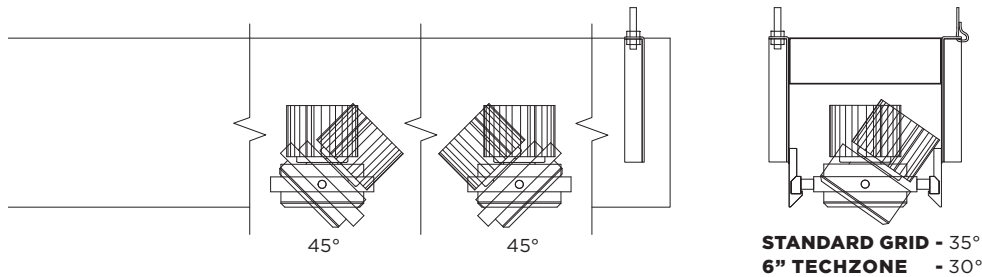
**XTR - TRIMLESS**



**FX - FLANGELESS**

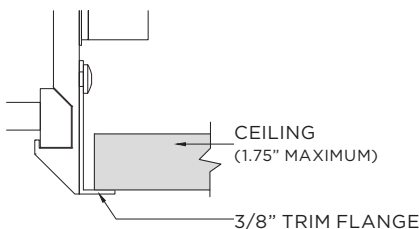


**GIMBAL ADJUSTABILITY**



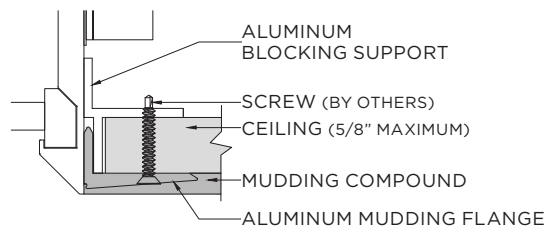
**MOUNTING**

**WT - WHITE TRIM**



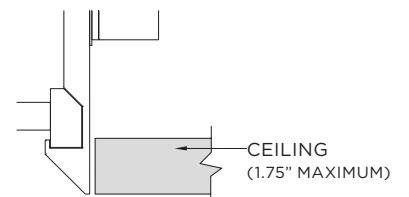
**CEILING CUT-OUT**  
6.15" x (LENGTH + 0.45")

**XTR - TRIMLESS**



**CEILING CUT-OUT**  
6.30" x (LENGTH + 0.45")

**GX - FLANGELESS**



**CEILING CUT-OUT**  
5.92" x (LENGTH + 0.125")

