



## 3G-4RGZ

3.5" RECESSED WALL GRAZER  
TUNABLE WHITE



Narrow 3.5" aperture with one piece extruded aluminum housing  
Adjustable LED profile ensures textured surfaces are evenly illuminated  
Individual or continuous runs in multiple run configurations  
Suitable for drywall, grid, wood, and various architectural ceilings  
LED system with performance up to 119 lumens per watt  
1% dimming standard with several integral driver options



### ORDERING INFORMATION

<b>PROJECT:</b>	<input type="text"/>	<b>TYPE:</b>	<input type="text"/>
<b>CATALOG #:</b>	<input type="text"/>	<b>DATE:</b>	<input type="text"/>

CAT. NO	LED SOURCE	LUMEN OUTPUT	CRI	VOLTAGE
<b>3G-4RGZ</b>	<b>TW - TUNABLE WHITE</b> (2700K-6500K)	<b>L250</b> - LOW OUTPUT (250 LM/FT) <sup>1</sup> <b>L500</b> - MEDIUM OUTPUT (500 LM/FT) <b>L750</b> - HIGH OUTPUT (750 LM/FT) <b>L1000</b> - VERY HIGH OUTPUT (1000 LM/FT) <sup>2</sup> <b>LC___</b> - CUSTOM OUTPUT (SPECIFY LM/FT) *	<b>S80</b> - 83+ CRI <b>H90</b> - 93+ CRI	<b>UNV</b> - 120/277V

\*Specify custom lumen outputs in 50lm increments (ie: LC600, LC650, LC700)  
Custom output cannot exceed LC1000

DRIVER	FLANGE TYPE	OPTIONS	RUN TYPE
<b>DO1</b> - 0-10V (STANDARD 100-0.1%) <b>DALI</b> - DALI (eidoLED, 100-1%) <b>DMX</b> - DMX (eidoLED, 100-0%) <b>DHLT</b> - LUTRON T SERIES (100-1%) (2 CHANNEL TUNABLE WHITE)	<b>WT</b> - WHITE TRIM <b>XTR</b> - TRIMLESS <b>FX</b> - FLANGELESS <b>GCX</b> - GRID CEILING (UNIVERSAL MOUNT)*  *Grid ceiling fixtures ship with universal mounting brackets suitable for all ceiling types. See mounting section for details	<b>EF</b> - END FILLER * <b>EMB</b> - INTEGRAL EMERGENCY BATTERY (MIN 4' SECTION) <b>EMC</b> - EMERGENCY CIRCUIT <b>CP</b> - CHICAGO PLENUM  *End filler option for odd lengths (non illuminated)	<b>S</b> - ___' (STRAIGHT RUN) <b>L</b> - ___' X ___' (L-SHAPE) <b>U</b> - ___' X ___' X ___' (U-SHAPE)  Specify runs in 1' increments Use end filler option for odd lengths

<sup>1</sup> L250 (250LM/FT) not available in 2' and 3' lengths. Specify LC400 when outputs lower than 500LM/FT are required  
<sup>2</sup> L1000 (1000LM/FT) not available for H90 (93+ CRI)

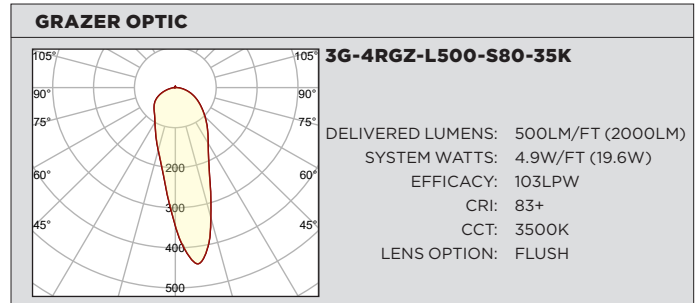
**3G** - Tunable White

FEBRUARY 10, 2021

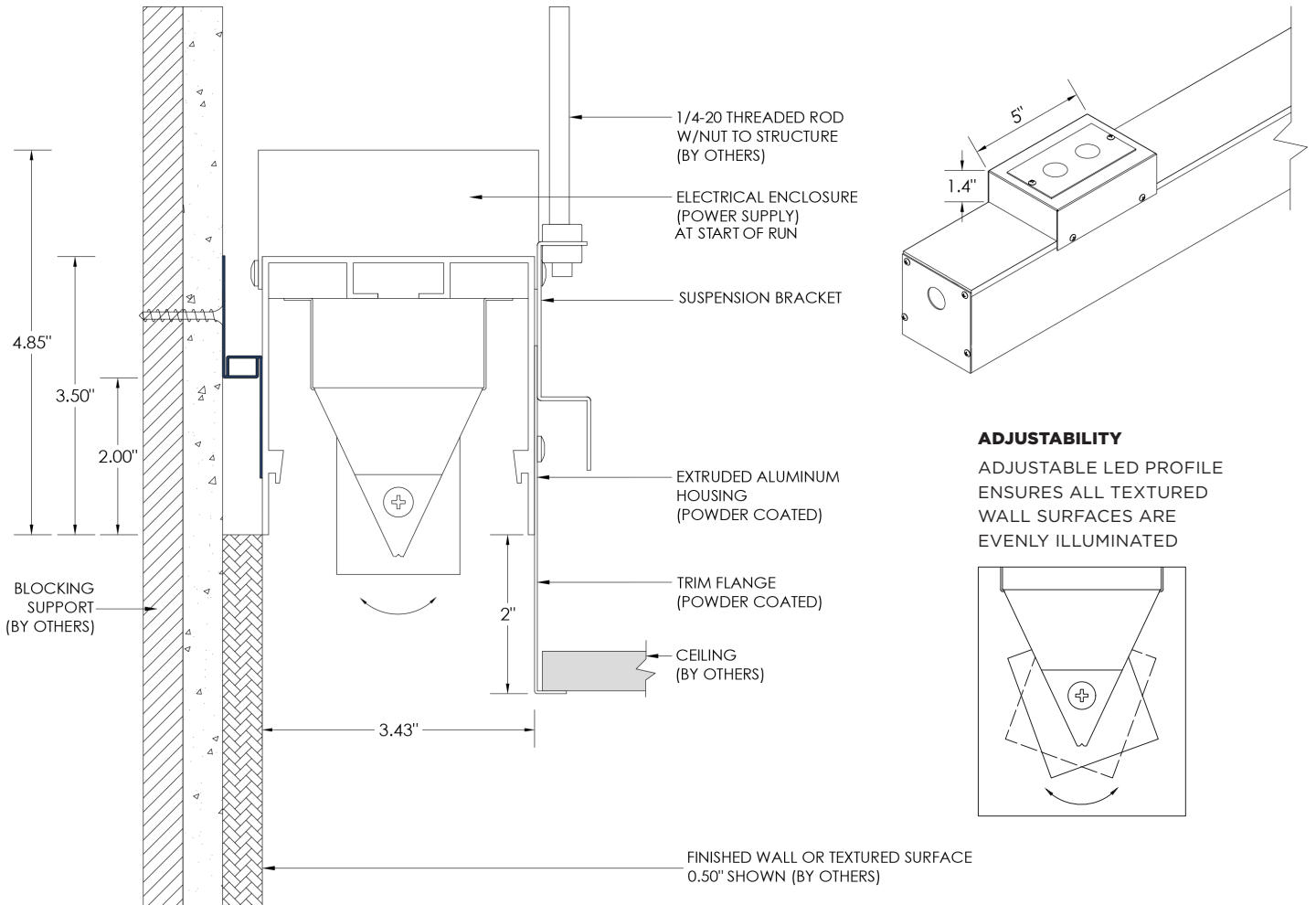


### PERFORMANCE CHART AND PHOTOMETRY BASED ON 4' LENGTH (TUNABLE WHITE AND 83+ CRI)

COLOR TEMP	DELIVERED LUMENS (LM/F)	SYSTEM WATTS (W/FT)	EFFICACY (LPW)
2700K	250	2.4	96
	500	4.9	95
	750	7.5	94
	1000	10.0	93
3500K	250	2.4	104
	500	4.9	103
	750	7.5	102
	1000	10.0	100
6500K	250	2.4	119
	500	4.9	118
	750	7.5	116
	1000	10.0	115
EFFICACY (LPW) ADJUSTMENT FACTOR	CRI	Multiplier	
	93+	0.88	



### DRAWINGS AND DIMENSIONS



**TECHNICAL****HOUSING**

Extruded aluminum housing with narrow 3.5" aperture  
Individual units and continuous runs available in 1' increments  
End filler option available for odd lengths. 6" non illuminated sections provided (field cuttable)  
Trim flange with matte white powder coated finish and minimal 0.400" overlap  
Trimless model features a satin coat mudding flange for seamless ceiling integration  
Standard polyester powder coated matte white finish

**OPTICS**

Adjustable LED profile ensures all textured wall surfaces are evenly illuminated (field adjustable post installation)  
Proprietary, high performance wall grazer optic made from extruded acrylic

**ELECTRICAL**

Luminaires are pre-wired with factory installed quick connects and branch circuit wiring  
Standard 0-10V, constant current drivers with 100-0.1% dimming range and >0.9 power factor  
eldoLED DALI driver option with 100-0.1% dimming range  
eldoLED DMX driver option with 100-0% dimming range  
Lutron T-series 2 channel tunable white driver option with 100-1% dimming range  
All drivers are integral and easily accessible through luminaire aperture  
Minimum 4' and maximum 6' length for each integral emergency battery. 10W output for 90 minutes

**LED SYSTEM**

Proprietary LED system with color consistency <3 SDCM  
2700K-6500K CCT range  
Standard 83+CRI. Optional 93+CRI. (R9 value of 56 for 93+CRI)  
L90 >60,000 hours  
5 Year Warranty

**MOUNTING**

New construction housing suspended via 1/4" threaded rod or suspension cables (by others)  
Trim fixture designed for use in drywall, wood, and other architectural ceiling materials  
Trimless fixture designed for use in drywall, mud-in ceiling applications  
Flangeless fixture designed for use in wood ceilings  
Suitable for various grid ceiling applications (see mounting details)  
Fixture weight: +/- 4 lbs/ft

**LISTING**

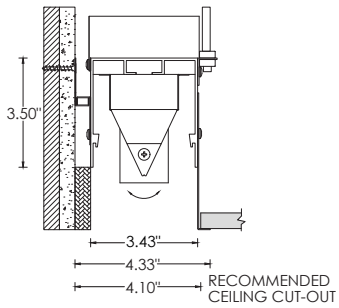
ETL listed and tested to UL standards. Suitable for dry and damp locations

**WARRANTY**

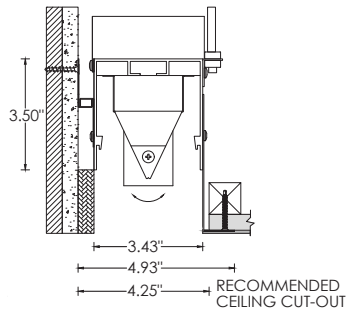
5 Year Warranty on LED and drivers  
Manufacturer 1 Year Warranty for defects in material and workmanship under normal use  
Ambient temperature at fixture should not exceed 25°C

### HARD CEILING MOUNTING TYPES

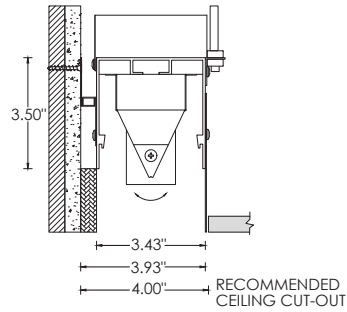
**WT - TRIM**



**XTR - TRIMLESS**

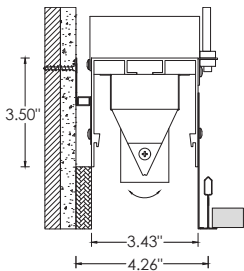


**FX - FLANGELESS**

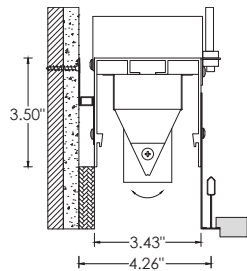


### GRID CEILING MOUNTING TYPES

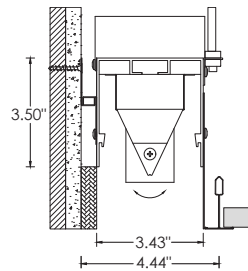
**9L - 9/16" LAYIN**



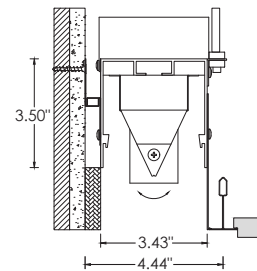
**9TG - 9/16" TEGULAR**



**15L - 15/16" LAYIN**



**15TG - 15/16" TEGULAR**



**9ST - 9/16" SLOT TEE TEGULAR**

