



3G-4RGZ

WALL GRAZER



Narrow 3.5" aperture with one piece extruded aluminum housing
 Adjustable LED profile ensures textured surfaces are evenly illuminated
 Individual or continuous runs in multiple run configurations
 Suitable for drywall, grid, wood, and various architectural ceilings
 LED system with performance up to 118 lumens per watt
 1% dimming standard with several integral driver options

PROJECT:		TYPE:	
CATALOG#:		DATE:	QTY:

CAT. NO	LUMEN OUTPUT	CRI	COLOR TEMP	VOLTAGE
3G-4RGZ	D250 - 250 LM/FT ¹ D500 - 500 LM/FT D750 - 750 LM/FT D1000 - 1000 LM/FT ² DC__ - CUSTOM OUTPUT (SPECIFY LM/FT) * <small>*Specify custom lumen outputs in 50lm increments (ie: DC600, DC650, DC700) Custom output cannot exceed D1000</small>	S80 - 80+ CRI H90 - 90+ CRI	27K - 2700K 30K - 3000K 35K - 3500K 40K - 4000K	UNV - 120/277V 347 - 347V ³

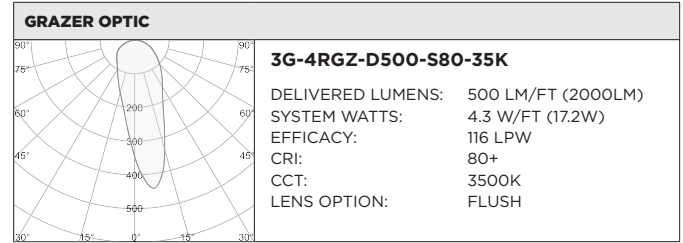
DRIVER	FLANGE TYPE	OPTIONS	RUN TYPE
DIM - 0-10V (100-1%) DO1 - 0-10V (100-0.1%) DALI - DALI (100-1%) ⁴ DHL2 - LUTRON HI-LUME (1% ECOSYSTEM) DMX - DMX (100-0%)	GCX - GRID CEILING * (UNIVERSAL MOUNT) WT - WHITE TRIM FLANGE XTR - TRIMLESS (MUD-IN DRYWALL) FX - FLANGELESS <small>*Grid ceiling fixtures ship with universal mounting brackets suitable for all ceiling types. See mounting section for details.</small>	CP - CHICAGO PLENUM EF - 6" END FILLER (FOR ODD LENGTHS) EMB - EMERGENCY BATTERY * (INTEGRAL) EMC - EMERGENCY CIRCUIT <small>*Minimum 4' section</small>	S - ____' (STRAIGHT) * L - ____'X ____' (L-SHAPE) U - ____'X ____'X ____' (U-SHAPE) <small>*Individual units available from 2' to 8' Continuous runs available in 1' increments "EF" (End Filler) option for odd lengths</small>

¹ D250 (250LM/FT) not available in 2' and 3' lengths (Please specify DC400 for 2' and 3' fixture length when outputs lower than 500LM/FT are required)
² D1000 (1000LM/FT) not available with H90 (93+ CRI)
³ 347 available in "DIM" 0-10V only (100-1%)
⁴ DALI-2 (Type 6) provided as standard. Please consult factory for DALI (Type 8) options

BASED ON 4' LENGTH (80+ CRI AND 3500K SOURCE)

LENS OPTION	DELIVERED LUMENS (LM/FT)	SYSTEM WATTS (W/FT)	EFFICACY (LPW)
GRAZER OPTIC	250	2.0	121
	500	4.3	116
	750	6.7	113
	1000	8.9	113

LUMEN OUTPUT MULTIPLIER: 27K=0.94, 30K=0.97, 35K=1.00, 40K=1.01, 90CRI=0.88



HOUSING

Extruded aluminum housing with 3.5" aperture
 Individual units and continuous runs available in 1' increments with end filler option for odd lengths
 6" end fillers are non illuminated section and are field cuttable
 Aluminum trim flange with matte white powder coated finish and minimal 0.400" overlap
 Trimless model features a satin coat mudding flange for seamless ceiling integration
 24-gauge LED reflector with high reflectance white powder coated finish
 Standard polyester powder coated matte white finish

OPTICS

Adjustable LED profile ensures all textured wall surfaces are evenly illuminated (field adjustable post installation)
 Proprietary, high performance wall grazer optic made from extruded acrylic

LISTING

ETL listed and conforms to UL1598 standard. Certified to CSA22.2 NO.250.0. Rated for indoor dry or damp locations
 IC rated - Suitable for direct contact with insulation
 DLC certified. Consult factory for details

WARRANTY

5 Year Warranty on LED and drivers
 Manufacturer 1 Year Warranty for defects in material and workmanship under normal use
 Ambient temperature at fixture should not exceed 25°C

ELECTRICAL

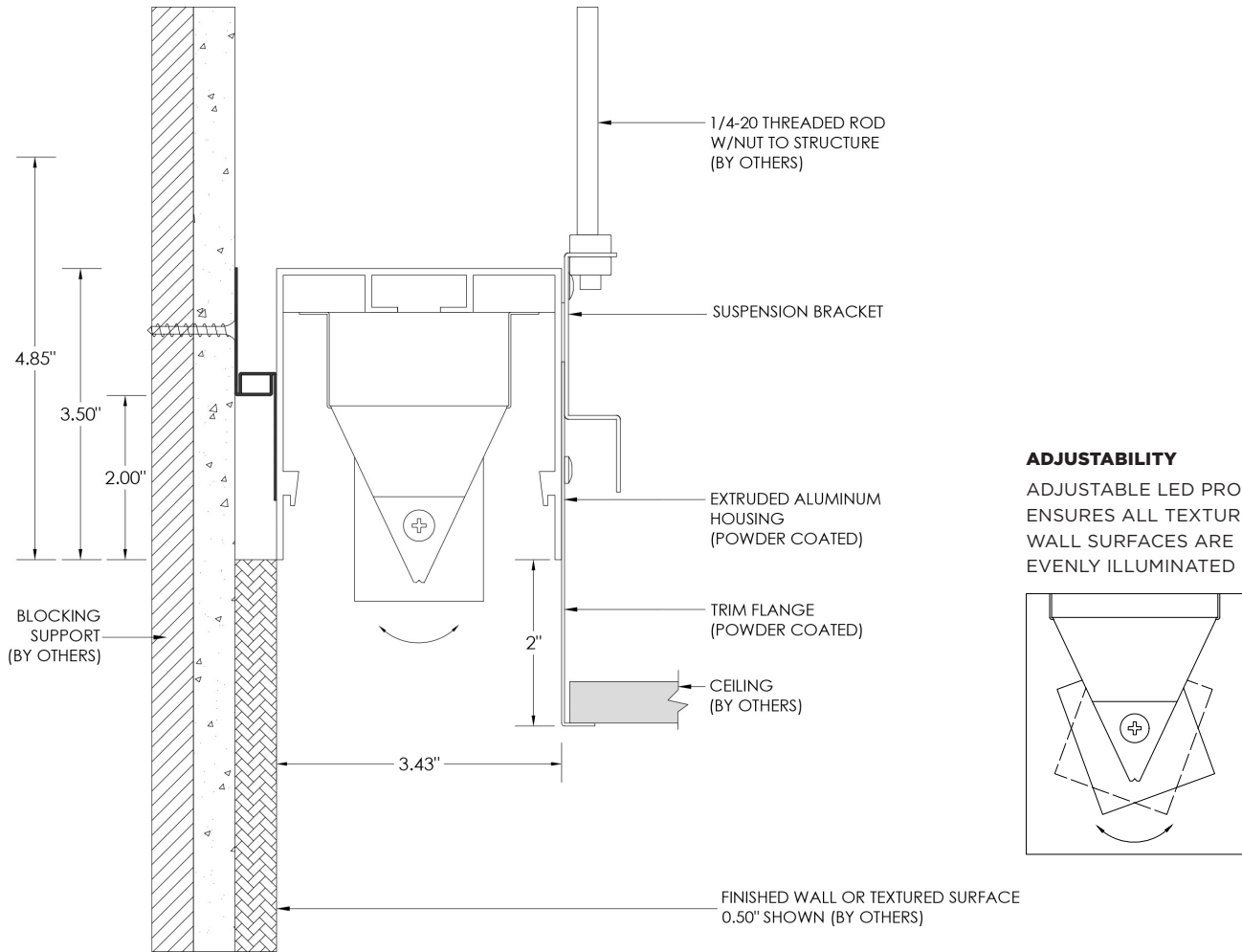
Standard 0-10V, constant current drivers with 100-1% dimming range and >0.9 power factor
 Standard 120/277V universal voltage with several driver options
 Luminaires are pre-wired with factory installed quick connects and branch circuit wiring
 All drivers are integral and easily accessible through luminaire aperture
 Minimum 4' and maximum 6' length for each integral emergency battery. 10W output for 90 minutes

LED SYSTEM

Proprietary LED system with color consistency <3 SDCM
 Available in 27K, 30K, 35K, and 40K
 Standard 80+CRI. Optional 90+CRI
 R9 value of 56 for 90+CRI
 L90 >60,000 hours
 5 Year Warranty

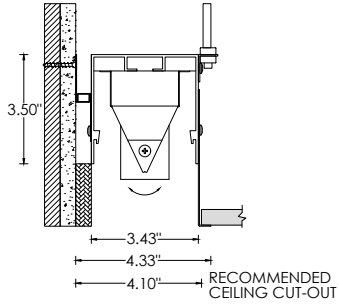
MOUNTING

New construction housing suspended via 1/4" threaded rod or suspension cables (by others)
 LED reflectors remain within each fixture section during installation with 3G's click and lock spring system
 Trim fixture designed for use in drywall, wood, and other architectural ceiling materials
 Trimless fixture designed for use in drywall, mud-in ceiling applications
 Flangeless fixture designed for use in wood ceilings
 Suitable for 4" TechZone and various grid ceiling applications (see mounting details)
 Fixture weight: +/- 4 lb/ft

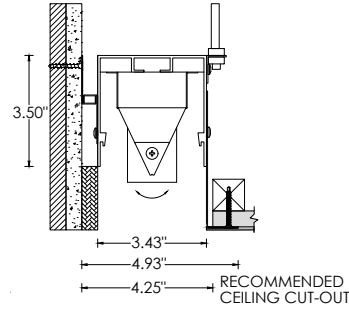


HARD CEILING MOUNTING TYPES

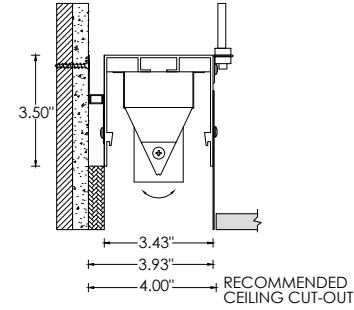
WT - TRIM



XTR - TRIMLESS

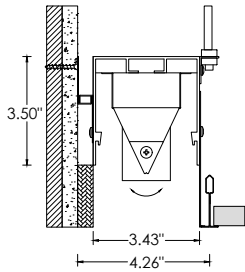


FX - FLANGELESS

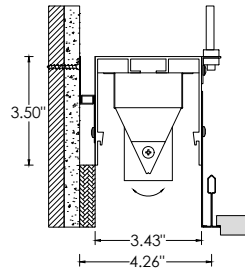


GRID CEILING MOUNTING TYPES

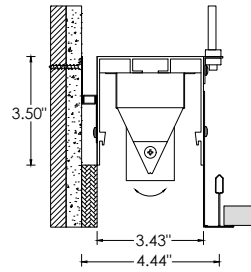
9L - 9/16" LAYIN



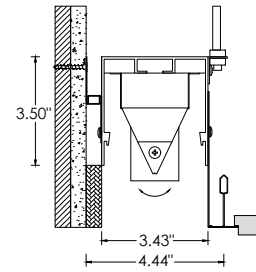
9TG - 9/16" TEGULAR



15L - 15/16" LAYIN



15TG - 15/16" TEGULAR



9ST - 9/16" SLOT TEE TEGULAR

