

# SURFACE LINEAR KUBO

## 3G-SLKU4 4" SURFACE MOUNTED

**3G**  
LIGHTING



**Pendant Linear Kubo**



**Recessed Linear Kubo**



**24" Surface Kubo**



**24" Pendant Kubo**

### FEATURES

#### CONSTRUCTION

- White sandblasted acrylic diffuser. Fabricated with mitered corners
- Fixture collar and mounting canopy fabricated in steel with powder coated finish
- Modified configurations available upon request

#### ELECTRICAL

- Standard 120-277V dimmable driver with 100-1% dimming range
- 85% efficiency and 0.9 power factor
- Lutron driver options available with 100-1% dimming range
- eLdoLED Dali driver available with 100-1% dimming range

#### LED SYSTEM

- Available in 27K, 30K, 35K, and 40K
- Average rated life > 50,000 hours
- Color consistency < 3 SDCM
- CRI > 80 for 27K, 30K, 35K, and 40K

#### LUMEN MAINTENANCE

- L70 at 50,000 hours

#### MOUNTING

- Suitable for ceiling and wall applications
- Fixture mounts to a standard junction box

#### FINISH

- Standard polyester powder coated matte white finish. Optional matte silver finish

#### LABELS

- ETL listed. Suitable for dry or damp locations (indoor use)

#### WARRANTY

- 5 Year limited warranty

**SURFACE - LINEAR KUBO | 3G - SLKU4 | 4" SURFACE MOUNTED**

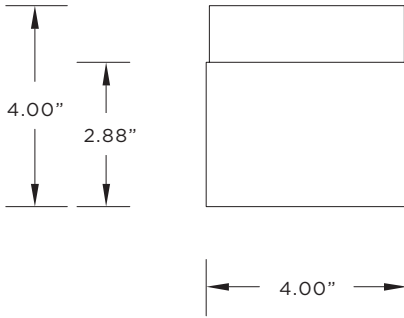
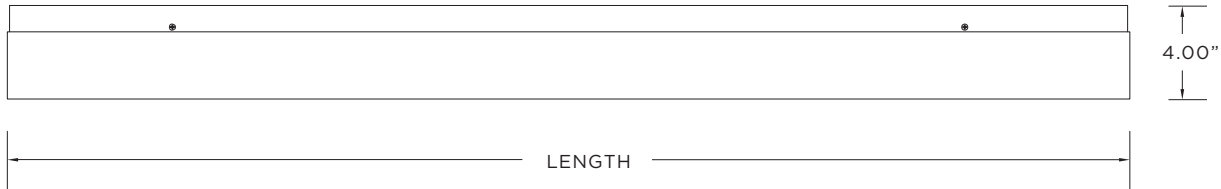


PROJECT

TYPE

DATE

CATALOG #



**ORDERING INFORMATION**

CAT. NO	LENGTH	LED SYSTEM	COLOR TEMP	VOLTAGE	DRIVER	FINISH
<b>3G-SLKU4</b>	<b>24 - 24"</b>	<b>L2 - STANDARD OUTPUT</b>	<b>27K - 2700K</b>	<b>120 - 120V</b>	<b>DIM - 0-10V</b> (STANDARD - 100-1%)	<b>WH - WHITE (STANDARD)</b>
	<b>36 - 36"</b>	<b>L4 - HIGH OUTPUT</b>	<b>30K - 3000K</b>	<b>277 - 277V</b>	<b>DHL - LUTRON</b> (3-WIRE - 100-1%)	<b>SV - SILVER</b>
	<b>48 - 48"</b>		<b>35K - 3500K</b>	<b>347 - 347V</b> (0-10V ONLY)	<b>DHL2 - LUTRON</b> (ECOSYSTEM - 100-1%)	
	<b>60 - 60"</b>		<b>40K - 4000K</b>		<b>DALI - DIMMING</b>	
	<b>96 - 94"</b>					
<b>3G-SLKU4</b>						

ORDERING EXAMPLE **3G-SLKU4-24-L2-30K-120-DIM-WH**

Copyright 2016 3G Lighting.  
 P: 905-850-2305 F: 905-851-6490 | TF: 888-448-0440  
 3G reserves the right to change, without notice, specifications or materials for product improvement.



# SURFACE LINEAR KUBO

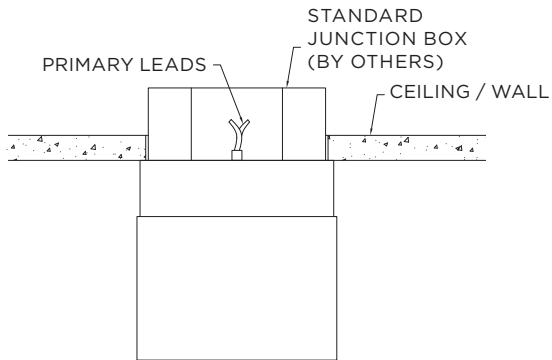
**3G-SLKU4**  
**4" SURFACE MOUNTED**



## PERFORMANCE CHART (based on 3500K)

LENGTH	LED SYSTEM	SYSTEM WATTS	DELIVERED LUMENS	EFFICACY LM/W	IES FILES
24"	L2 - STANDARD OUTPUT	11W	859	78	<a href="#">DOWNLOAD</a>
	L4 - HIGH OUTPUT	19W	1466	77	<a href="#">DOWNLOAD</a>
36"	L2 - STANDARD OUTPUT	16W	1280	80	<a href="#">DOWNLOAD</a>
	L4 - HIGH OUTPUT	28W	2184	78	<a href="#">DOWNLOAD</a>
48"	L2 - STANDARD OUTPUT	22W	1749	79	<a href="#">DOWNLOAD</a>
	L4 - HIGH OUTPUT	37W	2982	81	<a href="#">DOWNLOAD</a>
60"	L2 - STANDARD OUTPUT	27W	2216	82	<a href="#">DOWNLOAD</a>
	L4 - HIGH OUTPUT	46W	3779	82	<a href="#">DOWNLOAD</a>
94"	L2 - STANDARD OUTPUT	43W	3512	82	<a href="#">DOWNLOAD</a>
	L4 - HIGH OUTPUT	73W	5991	82	<a href="#">DOWNLOAD</a>

## MOUNTING



## NOTES