

# 3G LIGHTING

## 3G-PIN1

1 LIGHT MADISON INFORMA  
PENDANT MOUNTED  
DYNAMIC WHITE



Extruded aluminum frame with fabricated mitered corners  
Standard clear etched and black etched anodized finishes  
Machined aluminum double gimbals. Adjustable and lockable  
Regressed LED source for enhanced glare control  
Dim to Warm and Tunable White LED options up to 2000lm (90+ CRI)  
1% dimming standard with several integral driver options

**3GD 3GT**

### ORDERING INFORMATION

<b>PROJECT:</b>	<input type="text"/>	<b>TYPE:</b>	<input type="text"/>
<b>CATALOG #:</b>	<input type="text"/>	<b>DATE:</b>	<input type="text"/>

CAT. NO	LED SOURCE	LUMEN OUTPUT	CRI	BEAM ANGLE	VOLTAGE
<b>3G-PIN1</b>	<b>DW</b> - DIM TO WARM (1800-3000K)	<b>08</b> - 800 LUMENS <b>12</b> - 1200 LUMENS	<b>H90</b> - 90+ CRI	<b>10D</b> - 10° <sup>2</sup> <b>20D</b> - 20° <b>40D</b> - 40° <b>60D</b> - 60° <b>90D</b> - 90°*	<b>UNV</b> - 120/277V <b>120</b> - 120V <b>347</b> - 347V (0-10V ONLY)
	<b>TW</b> - TUNABLE WHITE <sup>1</sup> (2700K-6500K)	<b>20</b> - 2000 LUMENS			

\* 90D reflector supplied standard with lens

DRIVER	GIMBAL FINISH	HOUSING	CABLE LENGTH
<b>DIM</b> - 0-10V (STANDARD 100-1%) <b>LE</b> - PHASE DIMMING <sup>3</sup> (TRIAC/ELV, 100-1%) <b>LTEA</b> - LUTRON HI-LUME LTEA <sup>3</sup> (FWD PHASE, 100-1%) <b>D01</b> - 0-10V (eldoLED, 100-0.1%) <sup>1</sup> <b>DALI</b> - DALI (eldoLED, 100-1%) <sup>1</sup> <b>DHL2</b> - LUTRON HI-LUME LDE1 (1% ECOSYSTEM) <b>DMX</b> - DMX (eldoLED, 100-0%) <sup>1</sup>	<b>NG</b> - NATURAL (STANDARD) <b>BG</b> - BLACK	<b>AN</b> - ANODIZED <b>BK</b> - BLACK <b>CF</b> - CUSTOM	<b>60"</b> - 60" (STANDARD) <b>120"</b> - 120"

### OPTIONS

**2C** - 2 CIRCUIT  
**SF70** - SOFTENING LENS  
**LS70** - LINEAR SPREAD  
**HXB70** - BLACK HEXCELL LOUVER

Maximum 3 optical accessories

- <sup>1</sup> Tunable White option available with D01, DALI and DMX drivers
- <sup>2</sup> 10D reflector available with 800 lumen output only
- <sup>3</sup> Forward Phase, Forward Phase/Reverse Phase drivers available in 120V only

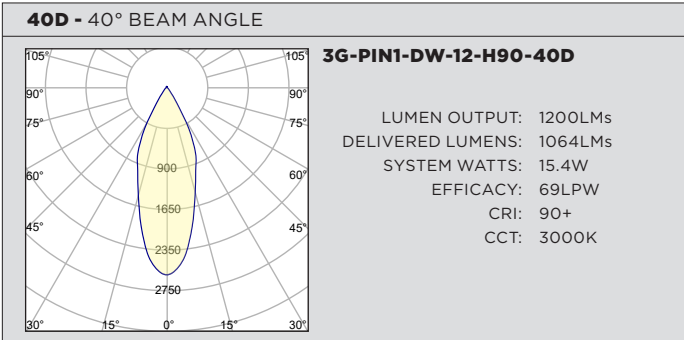
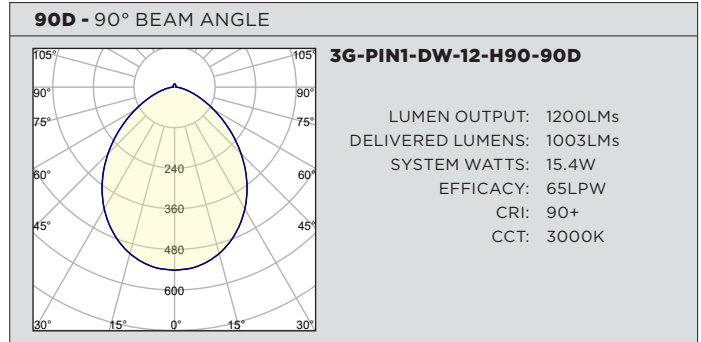
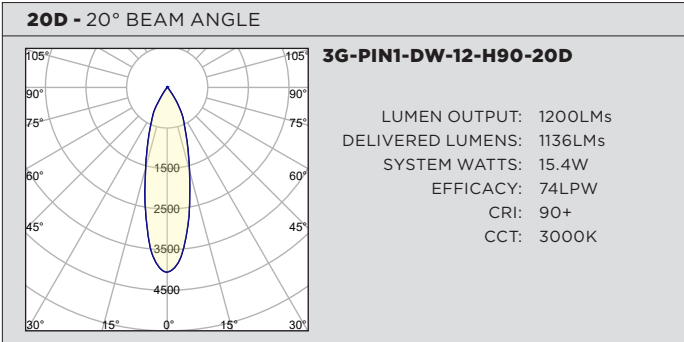
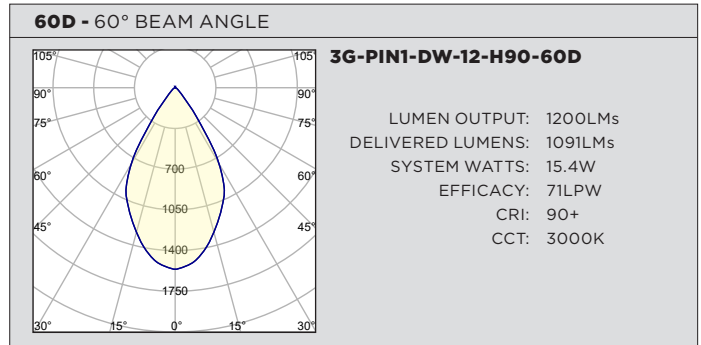
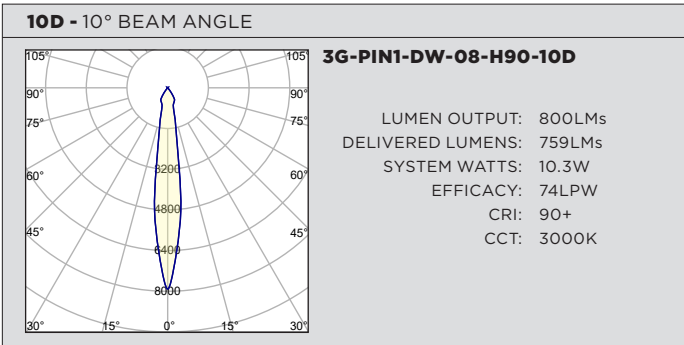
**3GD** - Warm Dim  
**3GT** - Tunable White

JUNE 22, 2020

### PERFORMANCE CHART BASED ON 20° BEAM AND 3000K SOURCE

DIM TO WARM LUMEN OUTPUT	90+ CRI (3000K)		
	DELIVERED LUMENS	SYSTEM WATTS	EFFICACY (LPW)
800LMs	N/A	N/A	N/A
1200LMs	1136	15.4	74
2000LMs	1593	23.2	69

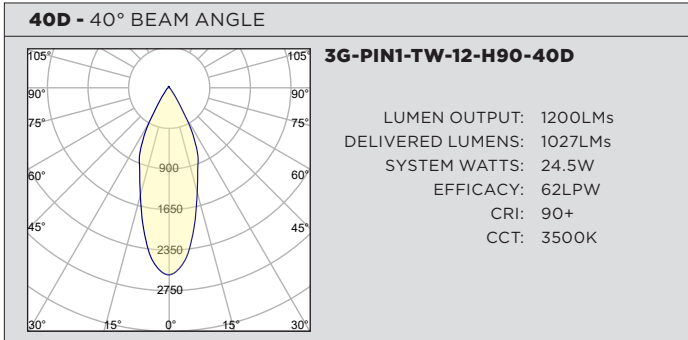
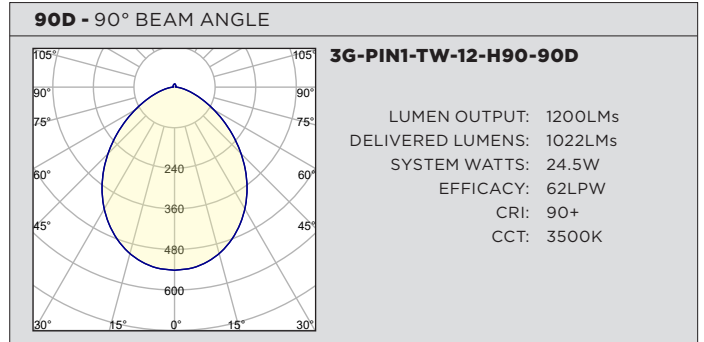
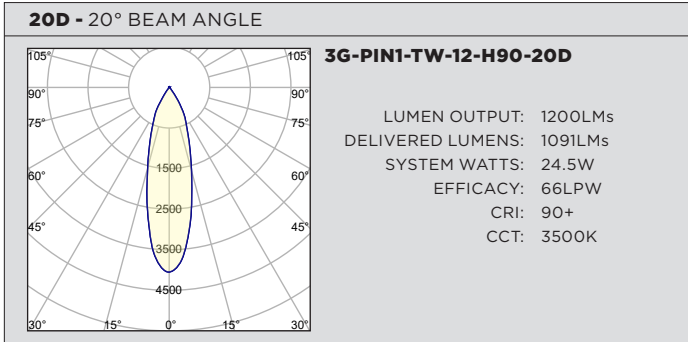
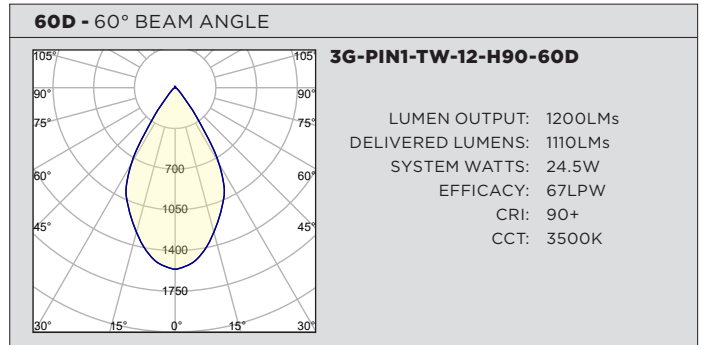
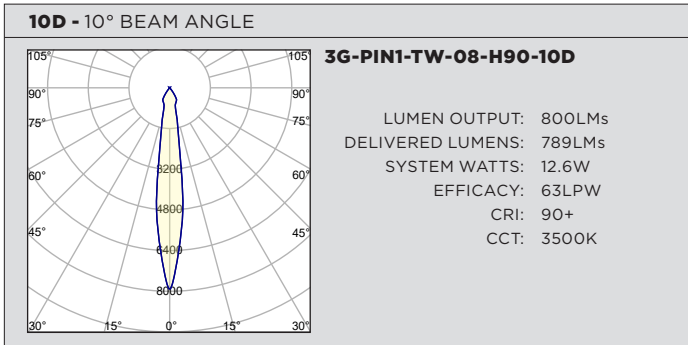
### PHOTOMETRY



### PERFORMANCE CHART BASED ON 20° BEAM

TUNABLE WHITE LUMEN OUTPUT	90+ CRI (2700K)			90+ CRI (3500K)			90+ CRI (6500K)		
	DELIVERED LUMENS	SYSTEM WATTS	EFFICACY (LPW)	DELIVERED LUMENS	SYSTEM WATTS	EFFICACY (LPW)	DELIVERED LUMENS	SYSTEM WATTS	EFFICACY (LPW)
<b>800LMs</b>	N/A	N/A	N/A	N/A	N/A	N/A	N/A	N/A	N/A
<b>1200LMs</b>	1066	16.6	64	1091	16.6	66	1221	16.6	74
<b>2000LMs</b>	1491	24.5	61	1561	24.5	64	1684	24.5	69

### PHOTOMETRY



**TECHNICAL****HOUSING**

Extruded aluminum frame with fabricated mitered corners  
Standard clear etched anodized finish with black anodized option  
Electrical enclosures fabricated in steel. Standard matte silver powder coated finish  
Modified and custom configurations available

**ADJUSTABILITY**

Solid machined aluminum double gimbal with dual axis adjustability  
Each double gimbal can be locked in place

**OPTICS**

Regressed LED source for enhanced glare control  
Proprietary anodized, aluminum reflectors are field replaceable (10° reflector not interchangeable)  
Available in 10°, 20°, 40°, 60° and 90°

**ELECTRICAL**

Standard 0-10V, constant current drivers with 100-1% dimming range and >0.9 power factor  
Standard 120/277V universal voltage drivers. Optional 347V, 0-10V drivers  
120V Forward Phase/Reverse Phase driver option with 100-1% dimming range  
eldoLED 0-10V driver option available with 100-0.01% dimming range  
eldoLED DALI and Lutron EcoSystem driver options available with 100-1% dimming range  
DMX driver option available with 100-0% dimming range  
All drivers are integral and easily accessible through the top of the fixture housing

**LED SYSTEM**

Bridgelux LED module (field replaceable)  
Color consistency <3 SDCM  
Standard 90+ CRI  
Dim to Warm (1800K-3000K)  
Tunable White (2700K-6500K)  
L70 >50,000 hours  
5 Year Warranty

**MOUNTING**

Aircraft cable suspension with adjustable locking fasteners  
Suitable for various ceiling applications (see mounting details)  
Suitable for various grid ceiling applications (see mounting details)  
All mounting canopies provided in white finish as standard

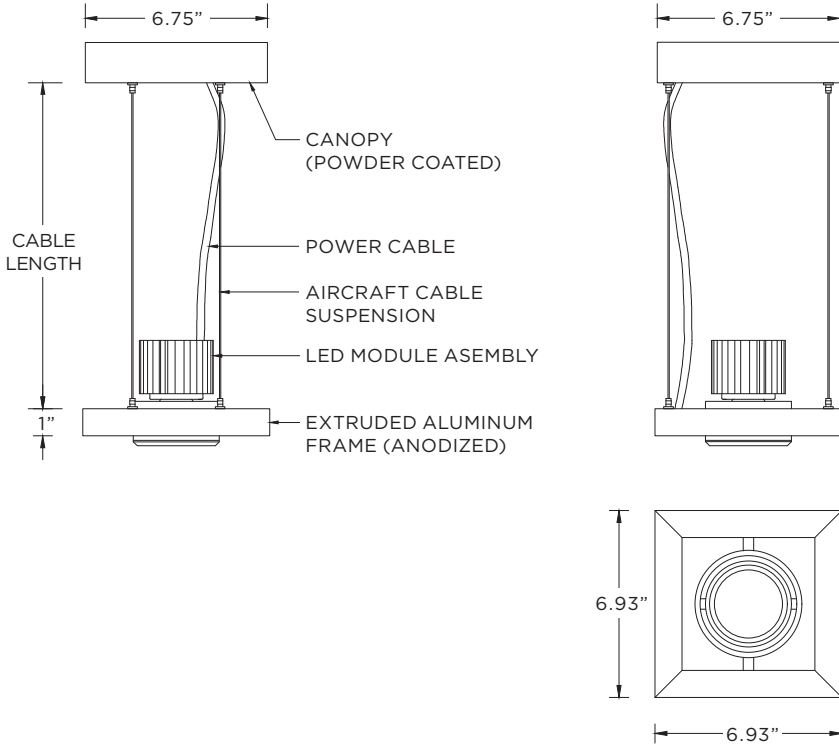
**LISTING**

ETL listed and tested to UL standards. Suitable for dry and damp locations

**WARRANTY**

5 Year Warranty on LED and drivers  
Manufacturer 1 Year Warranty for defects in material and workmanship under normal use  
Ambient temperature at fixture should not exceed 25°C

### DRAWINGS AND DIMENSIONS



### MOUNTING

