



3G-2RLI
 2" RECESSED LINEAR
 TRIM, TRIMLESS & FLANGELESS

Narrow 2" aperture with one piece extruded aluminum housing
 Individual or continuous runs available in multiple run configurations
 Suitable for drywall, wood, and various architectural ceiling
 Extruded acrylic lens available in flush, 1" and 2" drop lens options
 All drop lens options feature illuminated end caps
 1% dimming standard with several driver options



ORDERING INFORMATION

PROJECT:	<input type="text"/>	TYPE:	<input type="text"/>
CATALOG #:	<input type="text"/>	DATE:	<input type="text"/>

CAT. NO	LED SYSTEM	CRI	COLOR TEMP	VOLTAGE	DRIVER
3G-2RLI	L1 - LOW OUTPUT	S80 - 80+CRI (STANDARD) H90 - 90+CRI	27K - 2700K	UNV - 120/277V 347 - 347V (0-10V ONLY)	DIM - 0-10V (STANDARD 100-1%)
	L2 - STANDARD OUTPUT		30K - 3000K		DHL2 - LUTRON HI-LUME LDE (100-1% ECOSYSTEM)
	L4 - HIGH OUTPUT		35K - 3500K		DALI - DALI (100-1%)
			40K - 4000K		D01 - 0-10V (100-0.1%)

FLANGE TYPE	LENS OPTION	OPTIONS	LENGTH (FEET)
WT - WHITE TRIM XTR - TRIMLESS FX - FLANGELESS	FL - FLUSH DD1 - 1" DROP LENS DD2 - 2" DROP LENS	EM - INTEGRAL EMERGENCY BATTERY (4' SECTION) CP - CHICAGO PLENUM	S - ___' (STRAIGHT RUN)* L - ___' X ___' (L-SHAPE) U - ___' X ___' X ___' (U-SHAPE) R - ___' X ___' (RECTANGLE/SQUARE) T - ___' X ___' (T-SHAPE) X - ___' X ___' (X-SHAPE) CUS - CUSTOM LAYOUT

* Individual units available in 3', 4', 5', 6' and 8'
 Continuous runs available in 1' increments

PERFORMANCE CHART (Based on 3500K, 4' length)

LENS OPTION	LED SYSTEM	SYSTEM WATTS (PER FT)	DELIVERED LUMENS (PER FT)	EFFICACY (LM/W)
FLUSH	L1 - LOW OUTPUT	3.3	335	100
	L2 - STANDARD OUTPUT	5.1	507	99
	L4 - HIGH OUTPUT	8.8	837	96
1" DROP	L1 - LOW OUTPUT	3.3	360	108
	L2 - STANDARD OUTPUT	5.1	545	107
	L4 - HIGH OUTPUT	8.8	900	103
2" DROP	L1 - LOW OUTPUT	3.3	368	110
	L2 - STANDARD OUTPUT	5.1	557	109
	L4 - HIGH OUTPUT	8.8	920	105

LUMEN OUTPUT ADJUSTMENT FACTORS: (27K=0.94) (30K=0.97) (35K=1.00) (40K=1.01)

EDITION 06/19





3G-2RLI

LIGHTING 2" RECESSED LINEAR - TRIM, TRIMLESS & FLANGELESS

TECHNICAL

HOUSING

Extruded aluminum housing with narrow 2" aperture
Individual units and continuous runs available in 1' increments
Trim flange with matte white powder coated finish and minimal 0.375" overlap
Trimless model features a satin coat mudding flange
24 gauge LED reflector with high reflectance white powder coated finish
Extruded acrylic lens with a satin finish designed for optimal performance and glare control
Lens options available in flush, 1" drop and 2" drop
Standard polyester powder coated matte white finish

ELECTRICAL

Standard 0-10V, 100-1% dimming and 0.9 power factor
Standard 120/277V universal voltage drivers. Optional 347V 0-10V driver
Lutron EcoSystem and eLdLED Dali options available with 100-1% dimming
All drivers are integral and easily accessible through the aperture
Integral Emergency Battery: 90 minutes

LED SYSTEM

Proprietary LED system
Color consistency < 3 SDCM
Standard (80+CRI). Optional (90+CRI)
Available in 27K, 30K, 35K, and 40K
Average rated life of > 50,000 hours
5-year warranty

MOUNTING

Housing suspended via 1/4" threaded rod
Trim fixture designed for use in drywall, wood, and other architectural ceiling materials
Trimless fixture designed for use in drywall, mud-in ceiling applications
Flangeless fixture designed for use in wood ceilings

LISTING

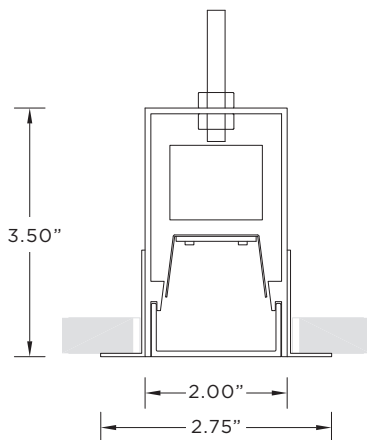
ETL listed and tested to UL standards. Suitable for dry and damp locations

WARRANTY

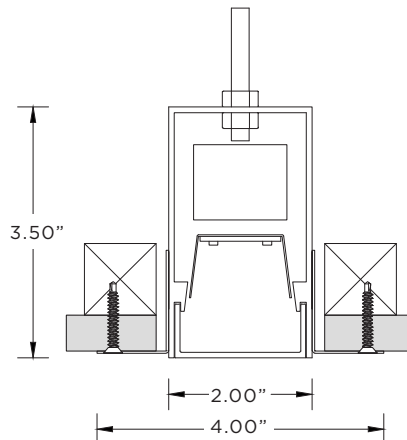
5 Year warranty on LED and drivers
Manufacturer 1-year warranty for defects in material and workmanship under normal use
Ambient temperature at fixture should not exceed 25°C

DRAWINGS AND DIMENSIONS

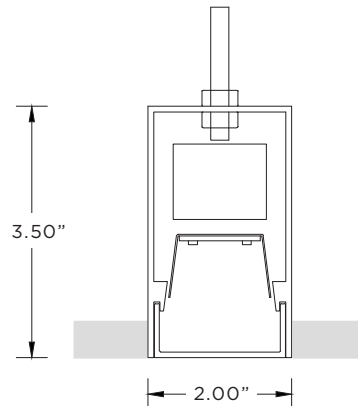
WT - TRIM



XTR - TRIMLESS

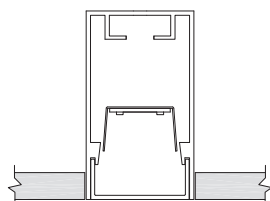


FX - FLANGELESS

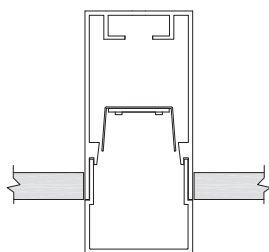


LENS OPTION

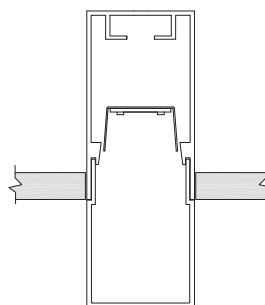
FL - FLUSH LENS



DD1 - 1" DROP LENS

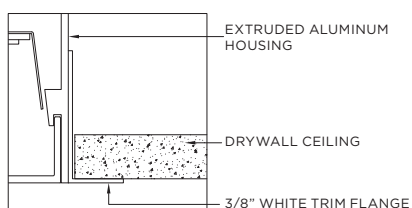


DD2 - 2" DROP LENS

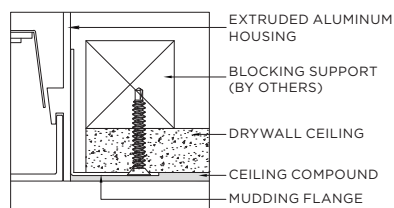


MOUNTING

WT - TRIM



XTR - TRIMLESS



FX - FLANGELESS

