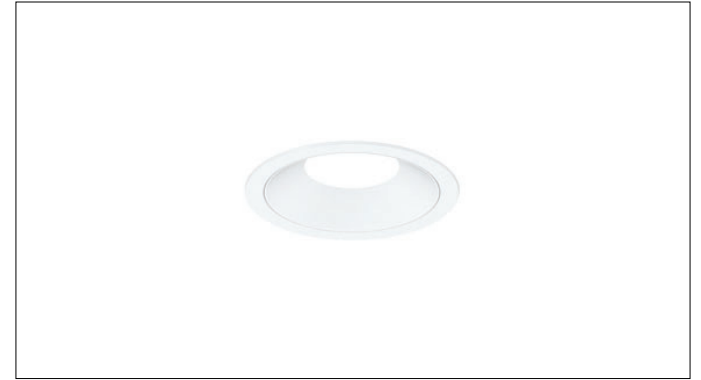


3.3"/4.5" ROUND ADJUSTABLE DOWNLIGHT TRIM




i THE IMAGES SHOWN ARE FOR ILLUSTRATION PURPOSES ONLY AND MAY NOT BE AN EXACT REPRESENTATION OF THE PRODUCT

INCLUDED COMPONENTS	
<p>RMD - REMODEL</p> <p>LED INSERT DRIVER ENCLOSURE</p>	<p>NCF - NEW CONSTRUCTION FRAME (FOR NEW CONSTRUCTION ONLY)</p> <p>LED INSERT NEW CONSTRUCTION FRAME BAR HANGERS</p>
<p>SH - SHALLOW HOUSING (FOR NEW CONSTRUCTION ONLY)</p> <p>LED INSERT SHALLOW HOUSING BAR HANGERS</p>	<p>NC/IC - NEW CONSTRUCTION HOUSING (FOR NEW CONSTRUCTION ONLY)</p> <p>LED INSERT NEW CONSTRUCTION HOUSING BAR HANGERS (OPTIONAL)</p>

INSTRUCTION KEY	INFORMATION
	ADDITIONAL
	ATTENTION
	POWER ON
	POWER OFF
	<p>INSTALLATION SHOULD ONLY BE PERFORMED BY A CERTIFIED ELECTRICIAN REFER TO LOCAL/NATIONAL CODES FOR PROPER INSTALLATION FAILURE TO FOLLOW INSTALLATION INSTRUCTION MAY VOID THE WARRANTY DO NOT TOUCH LEDS. LEDS MUST BE PROTECTED FROM MECHANICAL STRESS OR DEBRIS TURN OFF POWER DURING INSTALLATION OR SERVICING</p>

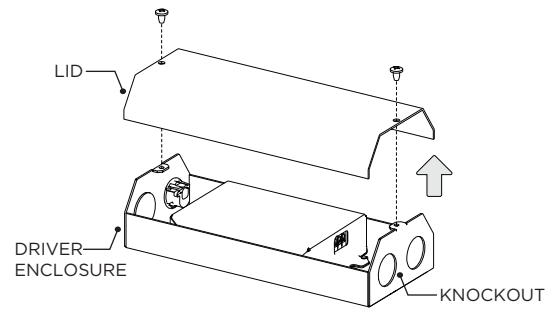
RMD - REMODEL

1



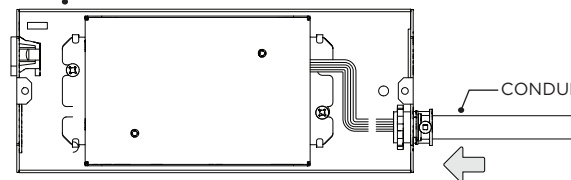
FIXTURE TYPE	CEILING HOLE SIZE
DL33RA	Ø 3.8125"
DL45RA	Ø 5.1250"

2



REMOVE LID AND KNOCKOUT FROM DRIVER ENCLOSURE

3

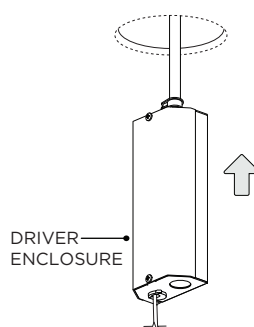


WIRING LEGEND

BLACK	HOT/LINE
WHITE	NEUTRAL
GREEN	GROUND
ORANGE	(DIM-)
PURPLE	(DIM+)

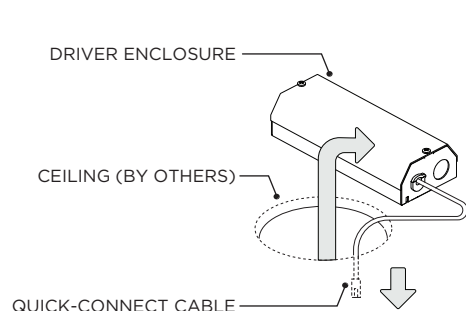
CONNECT CONDUIT TO DRIVER ENCLOSURE AND MAKE WIRING CONNECTIONS

4



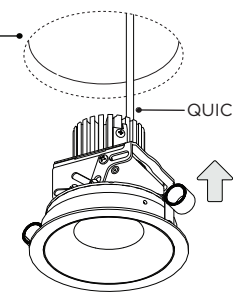
SECURE LID ONTO DRIVER ENCLOSURE AND INSERT INTO CEILING

5



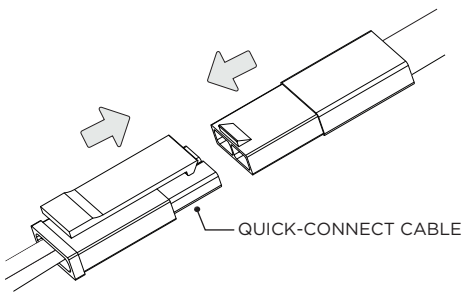
PLACE DRIVER ENCLOSURE ABOVE CEILING

6



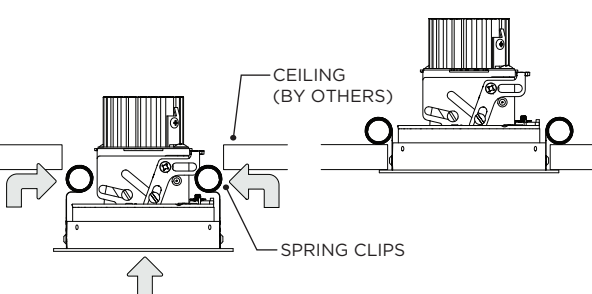
INSERT LED ASSEMBLY INTO CEILING

6A



CONNECT QUICK-CONNECT CABLE TO LED ASSEMBLY

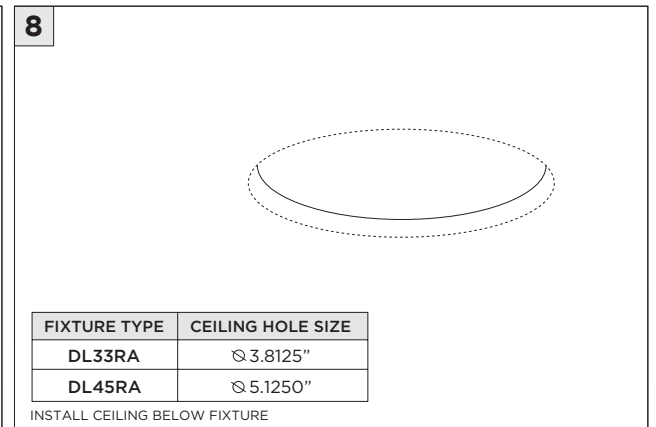
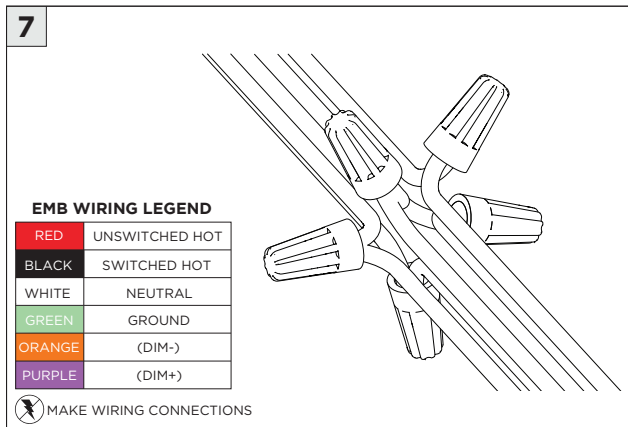
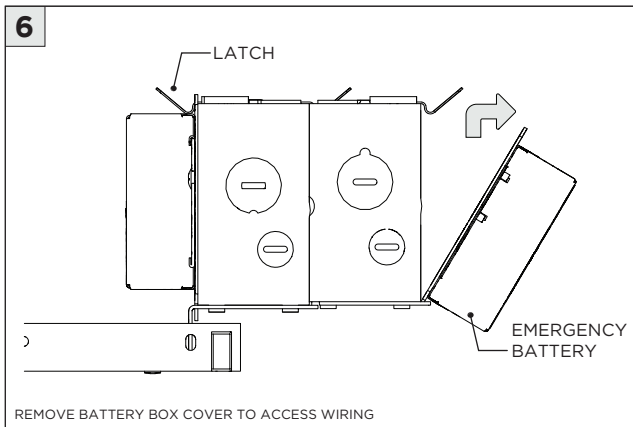
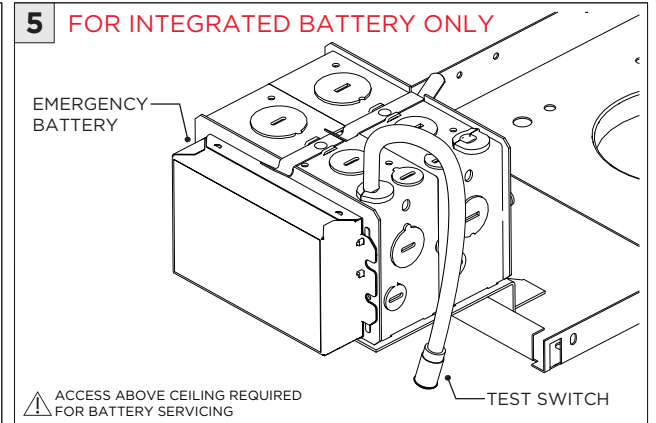
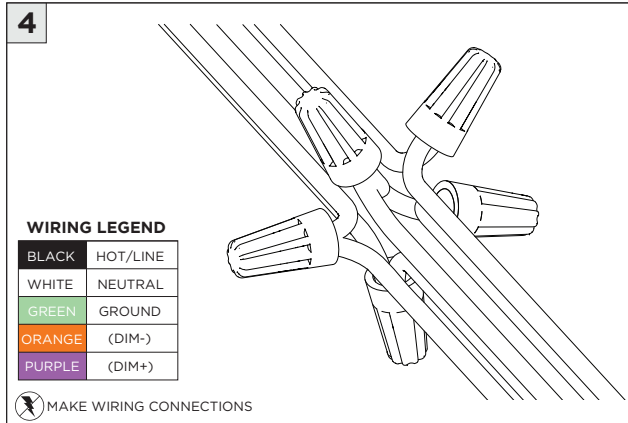
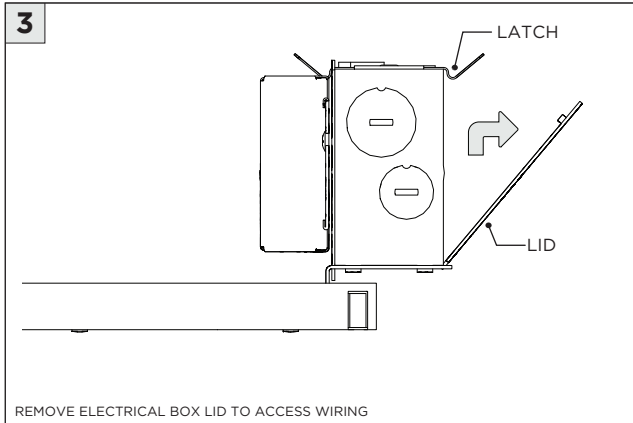
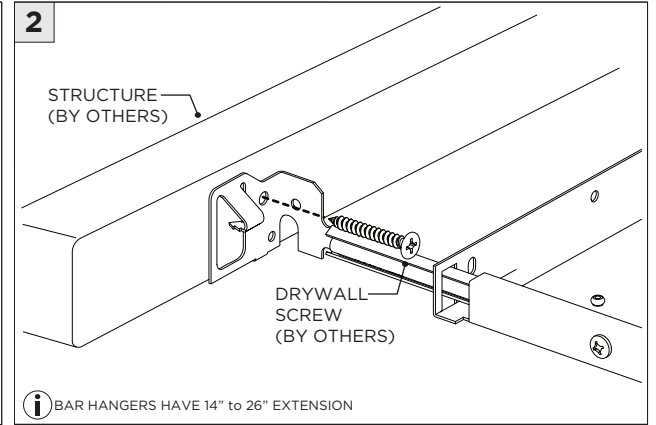
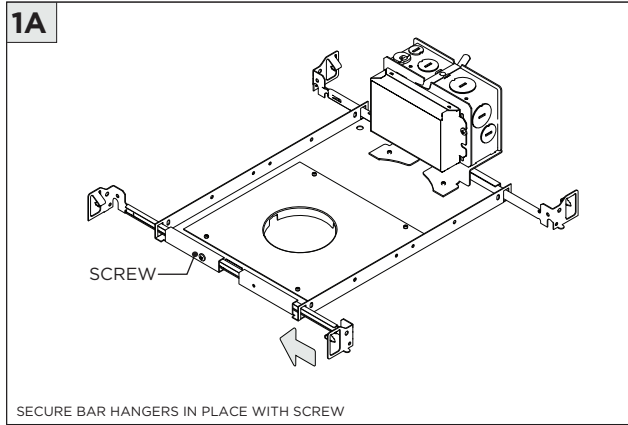
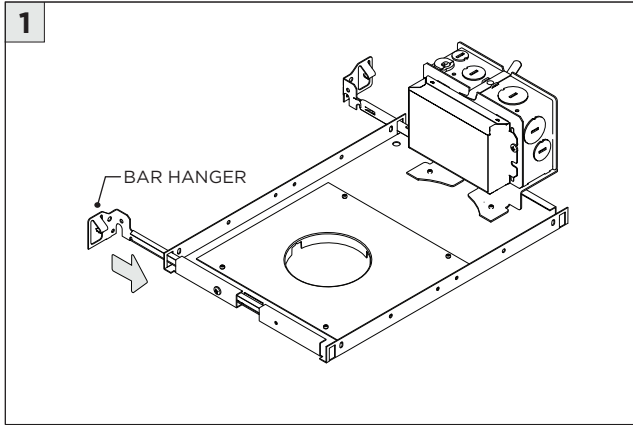
6B

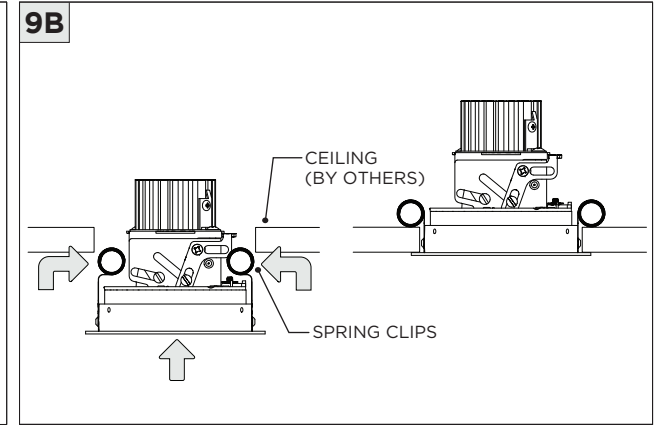
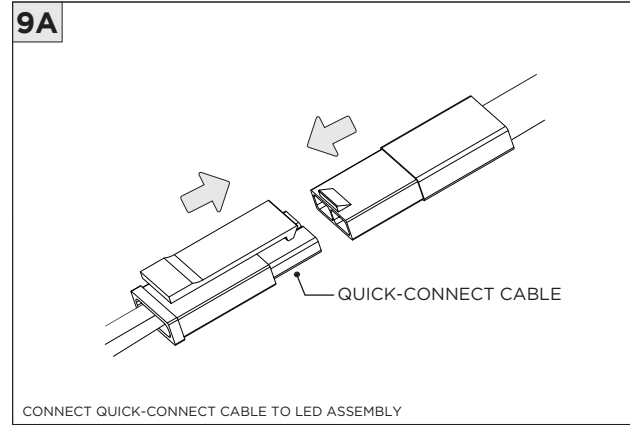
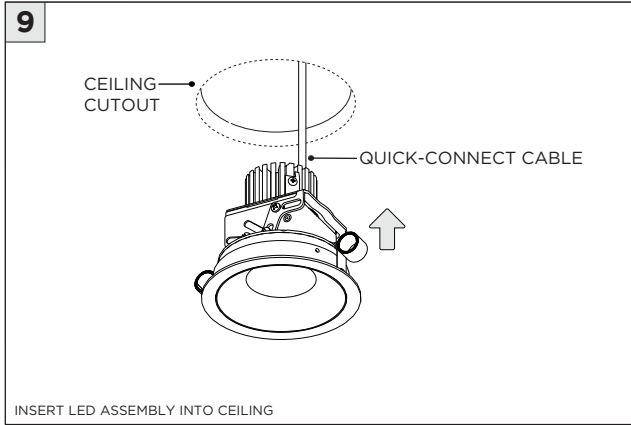


CEILING (BY OTHERS)

SPRING CLIPS

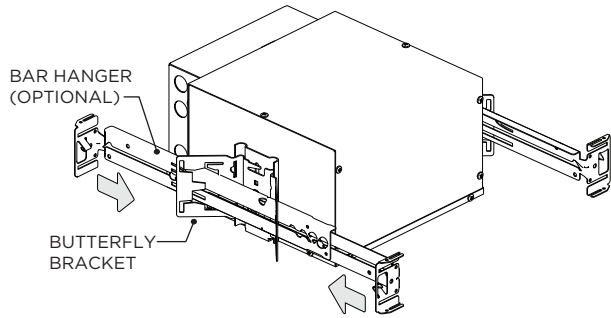
NCF - NEW CONSTRUCTION FRAME (FOR NEW CONSTRUCTION ONLY)



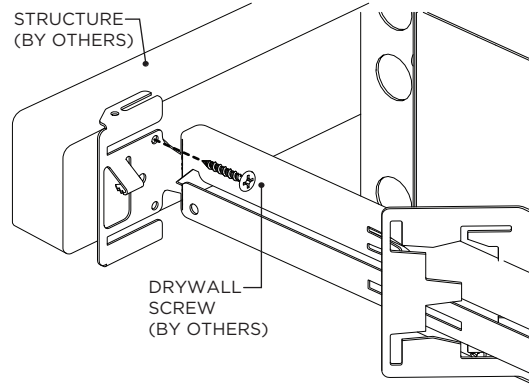


NC/IC - NEW CONSTRUCTION HOUSING (FOR NEW CONSTRUCTION ONLY)

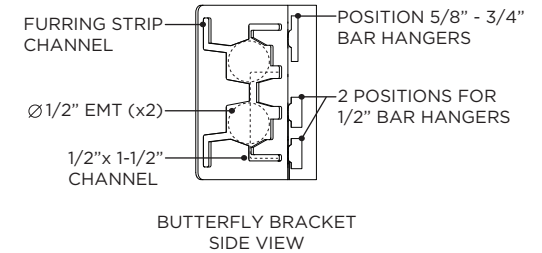
1 BAR HANGER INSTALLATION
(IF SUPPLIED BY 3G)



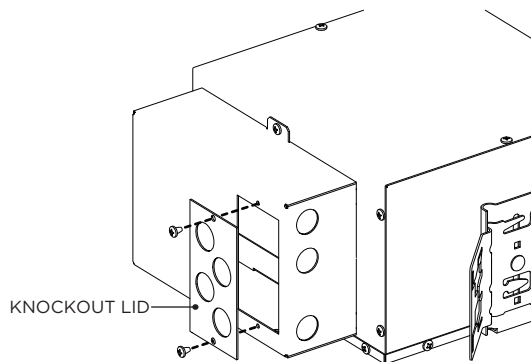
1A



2 OTHER BAR HANGER INSTALLATION
(NOT PROVIDED BY 3G)



3



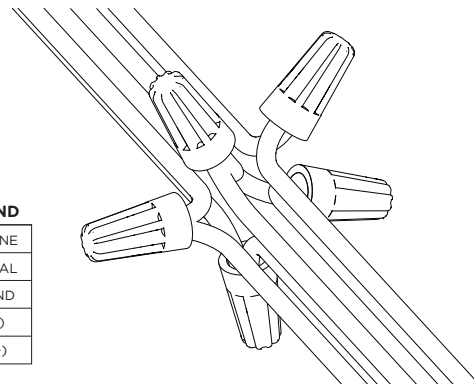
REMOVE ELECTRICAL BOX KNOCKOUT LID TO ACCESS WIRING

3A

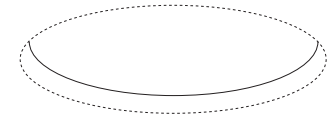
WIRING LEGEND

BLACK	HOT/LINE
WHITE	NEUTRAL
GREEN	GROUND
ORANGE	(DIM-)
PURPLE	(DIM+)

⚡ MAKE WIRING CONNECTIONS



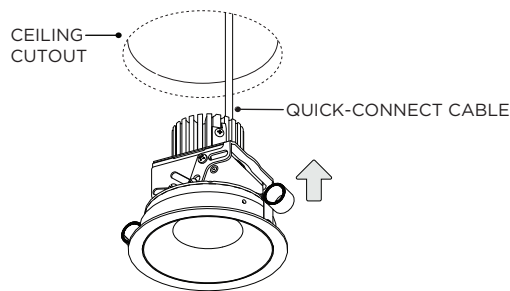
4



FIXTURE TYPE	CEILING HOLE SIZE
DL33RA	Ø 3.8125"
DL45RA	Ø 5.1250"

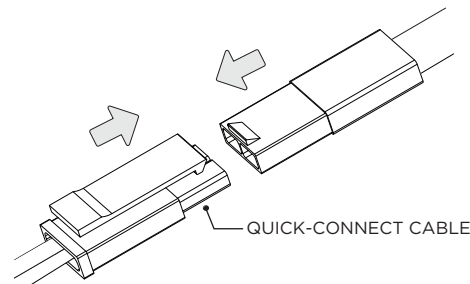
INSTALL CEILING BELOW FIXTURE

5



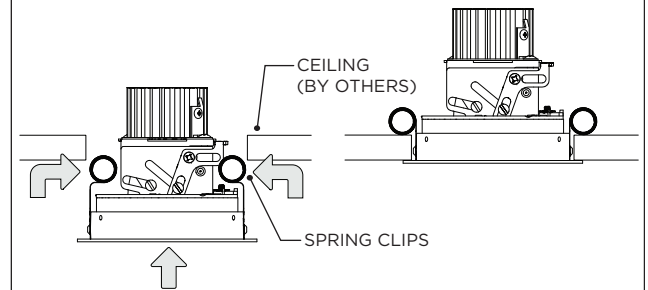
INSERT LED ASSEMBLY INTO CEILING

5A

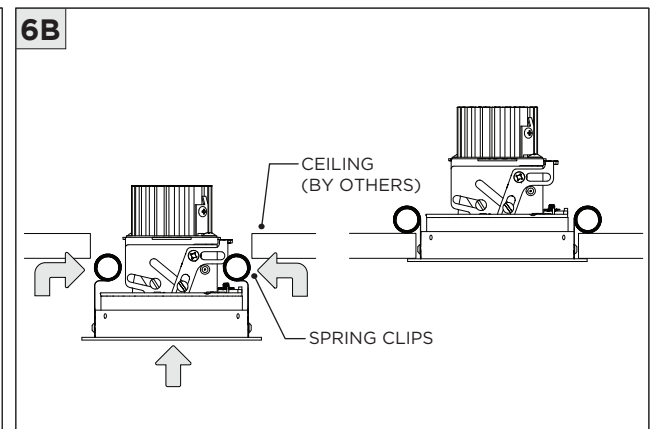
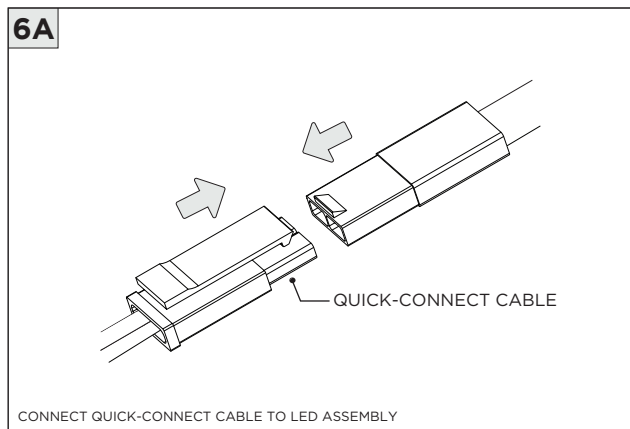
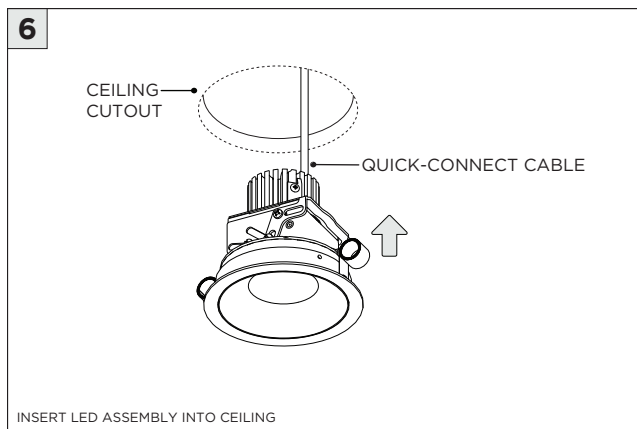
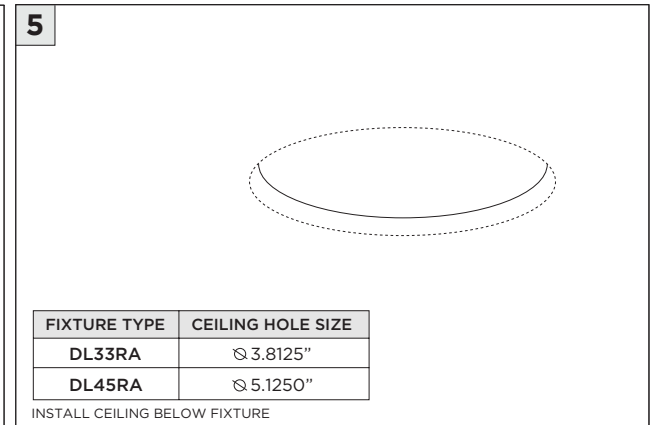
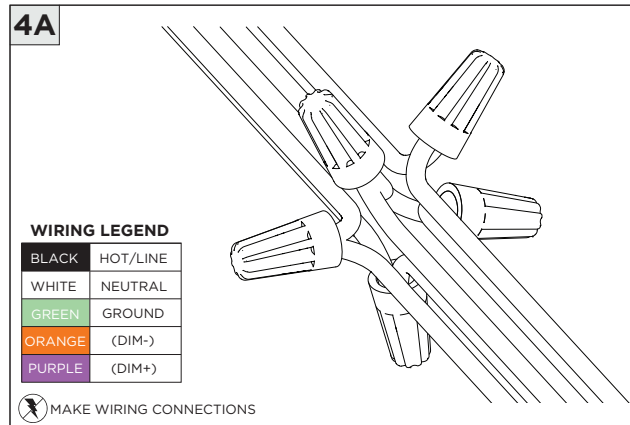
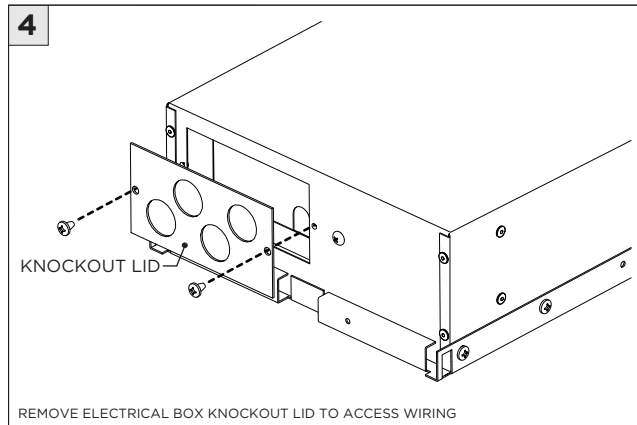
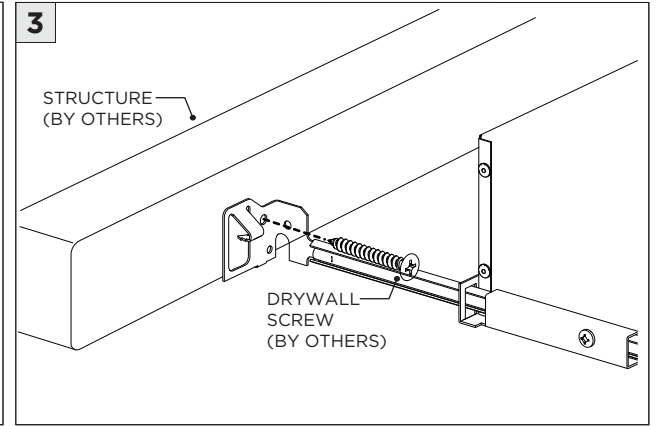
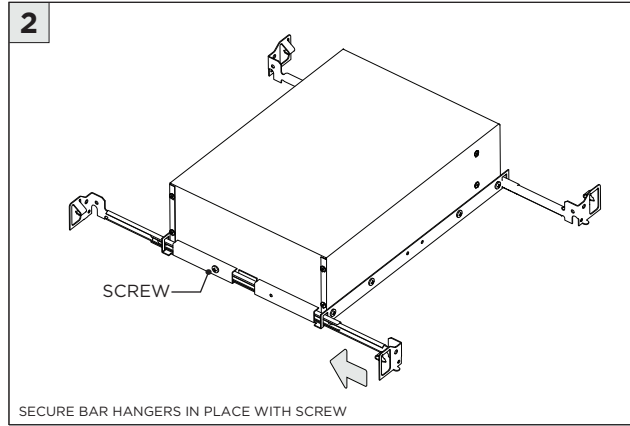
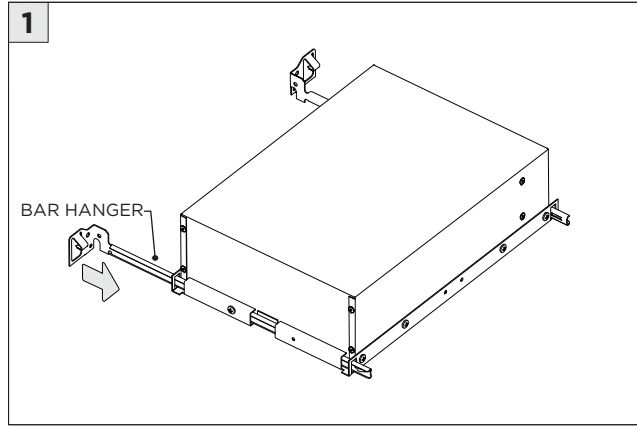


CONNECT QUICK-CONNECT CABLE TO LED ASSEMBLY

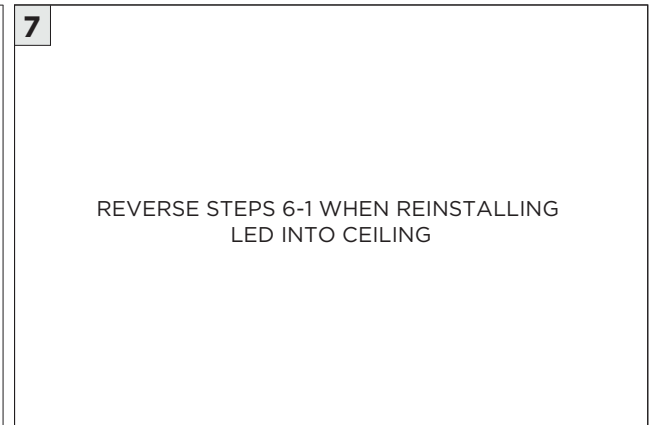
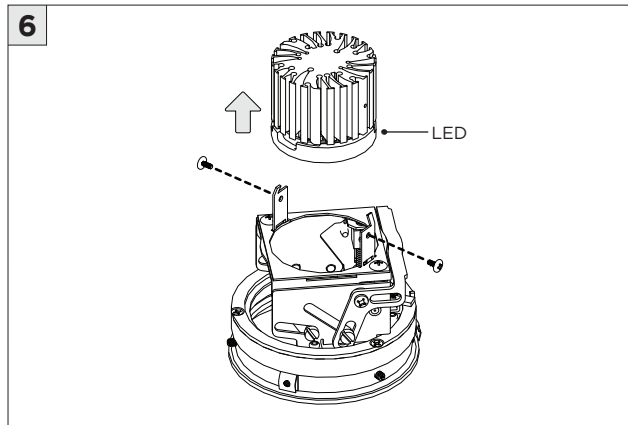
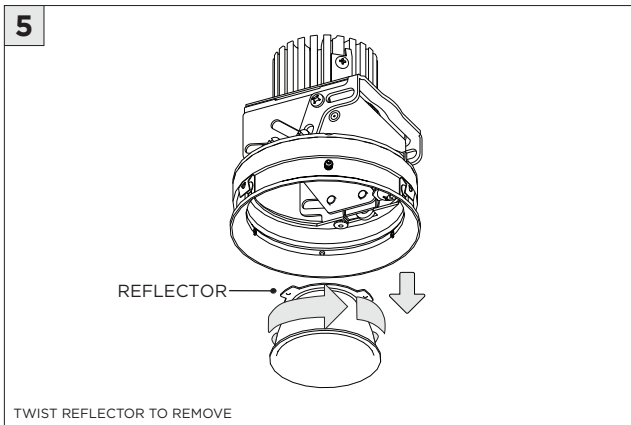
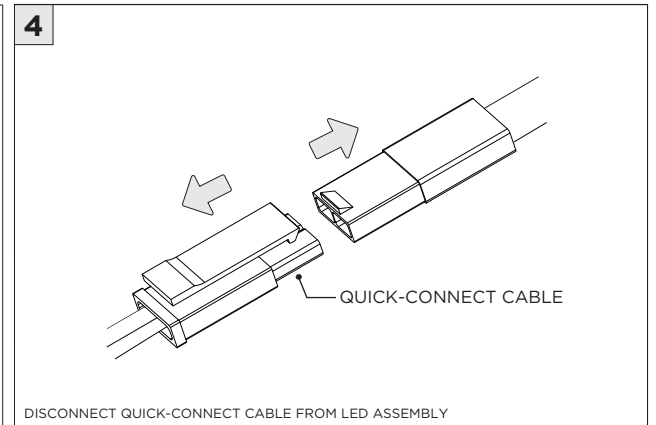
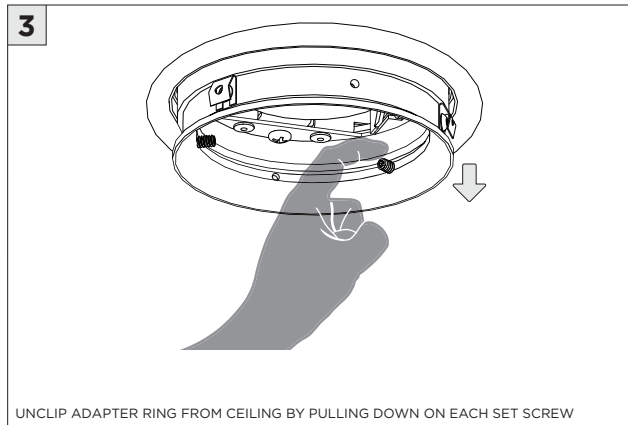
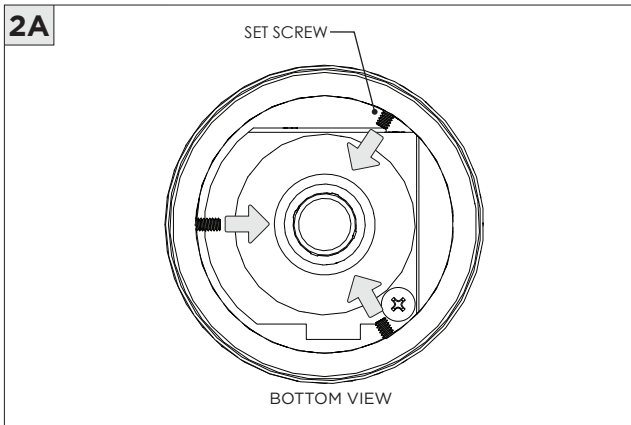
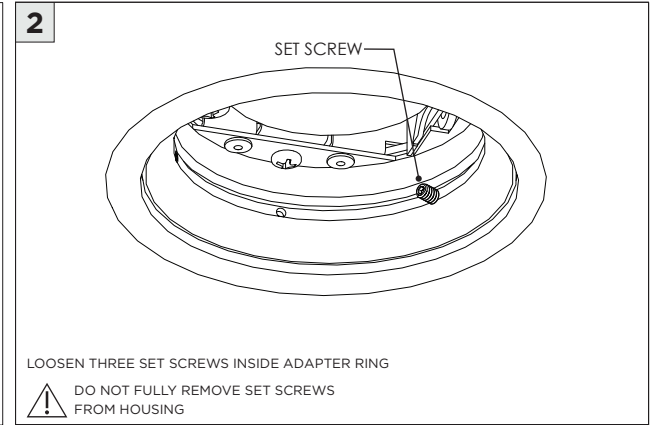
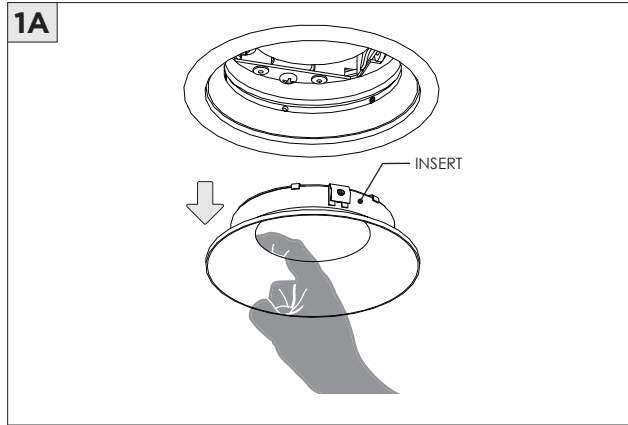
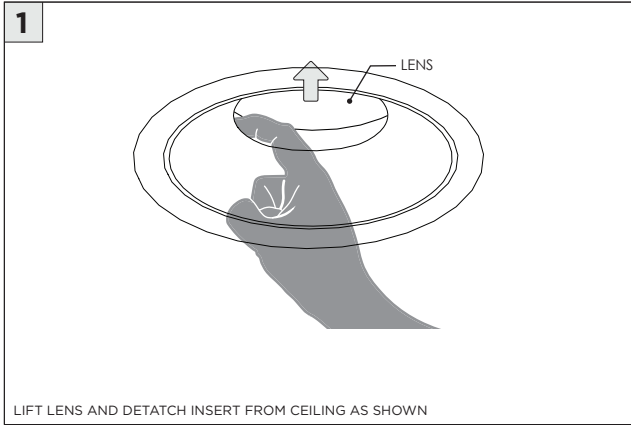
5B



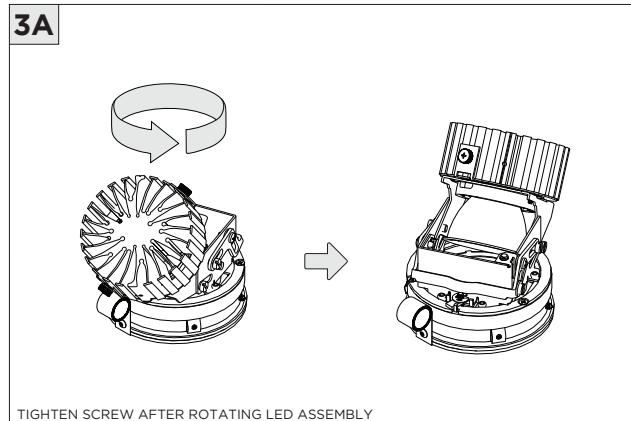
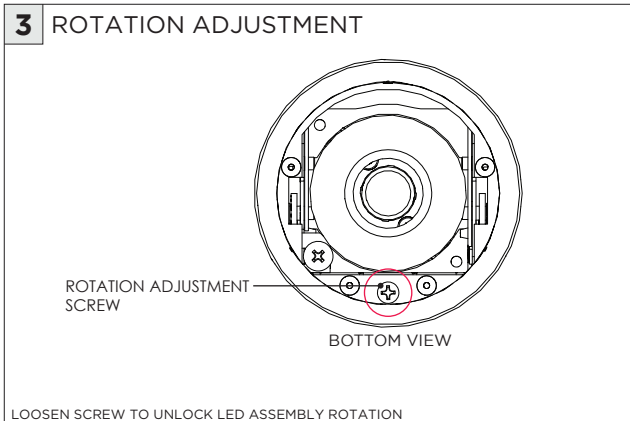
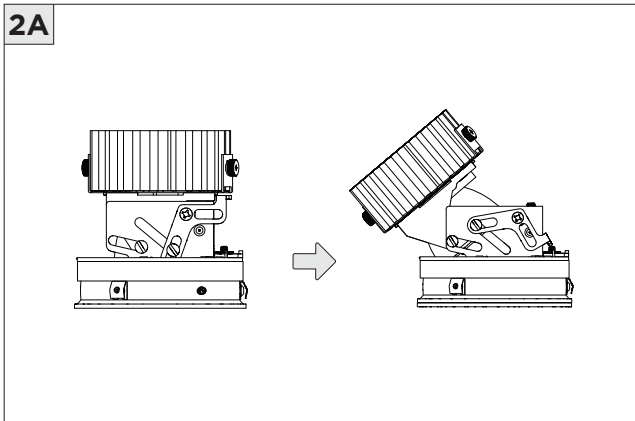
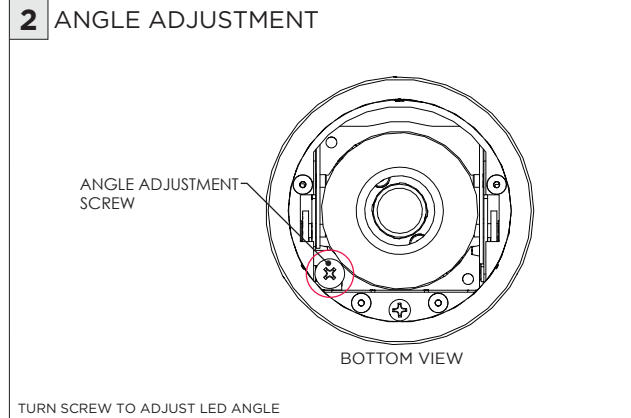
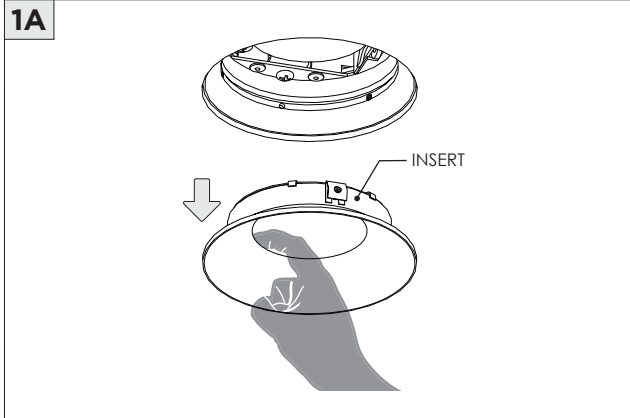
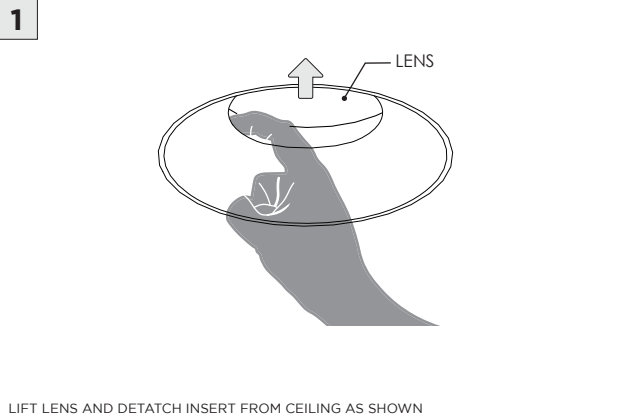
SH - SHALLOW HOUSING (FOR NEW CONSTRUCTION ONLY)



LED SERVICING

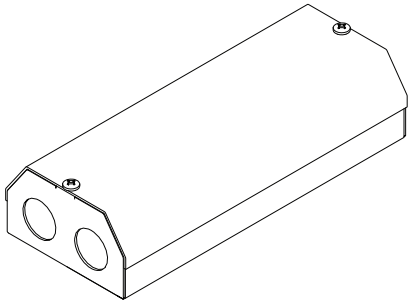


LED ADJUSTMENT



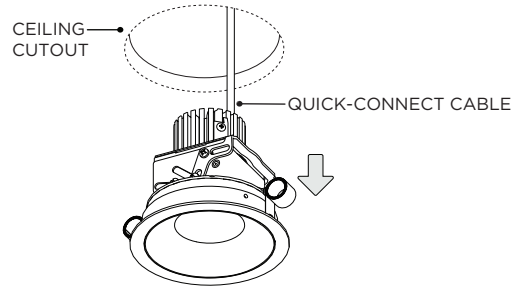
DRIVER SERVICING

1 RMD - REMODEL



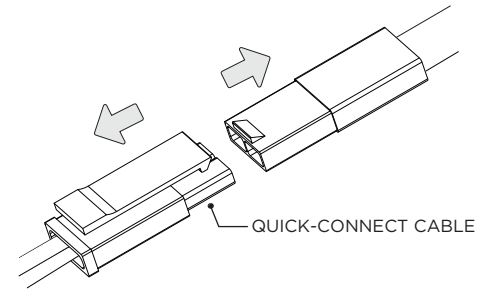
 DISCONNECT POWER BEFORE SERVICING

2



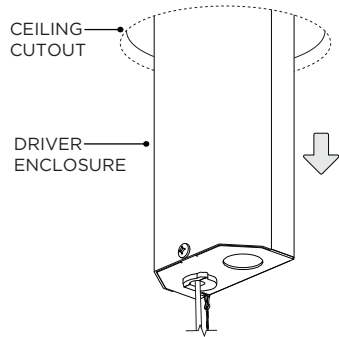
REMOVE LED ASSEMBLY FROM CEILING

2A

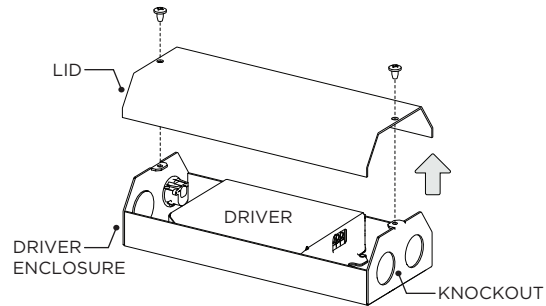


DISCONNECT QUICK-CONNECT CABLE FROM LED ASSEMBLY

3

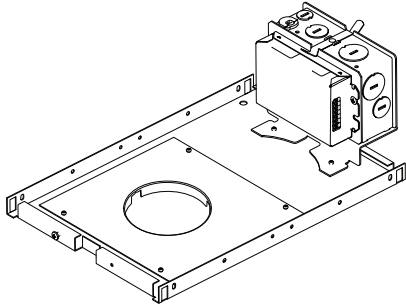


4



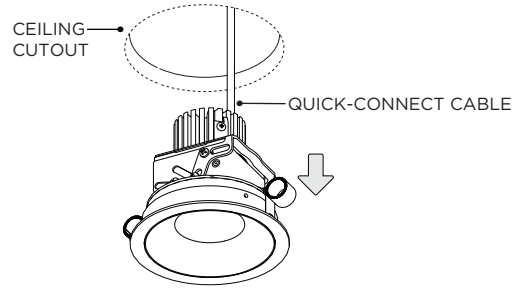
DRIVER SERVICING

1 NCF - NEW CONSTRUCTION FRAME



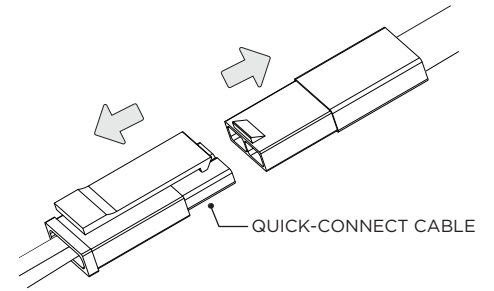
⚡ DISCONNECT POWER BEFORE SERVICING

2



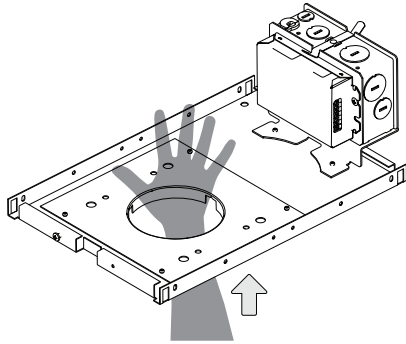
REMOVE LED ASSEMBLY FROM CEILING

2A

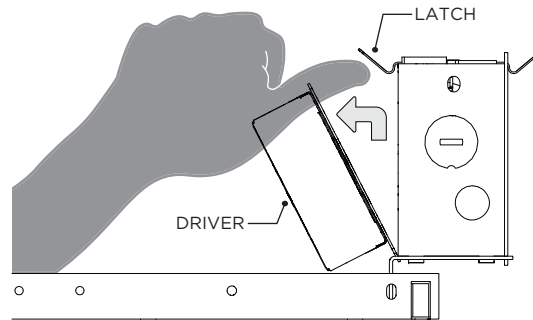


DISCONNECT QUICK-CONNECT CABLE FROM LED ASSEMBLY

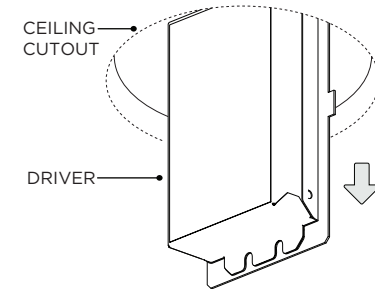
3



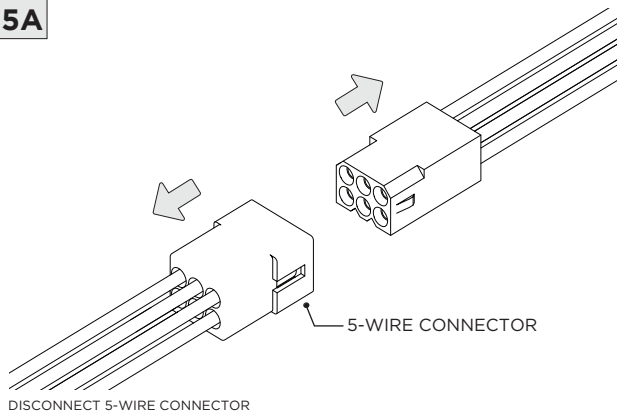
4



5



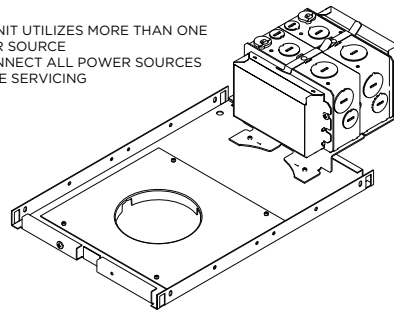
5A



DISCONNECT 5-WIRE CONNECTOR

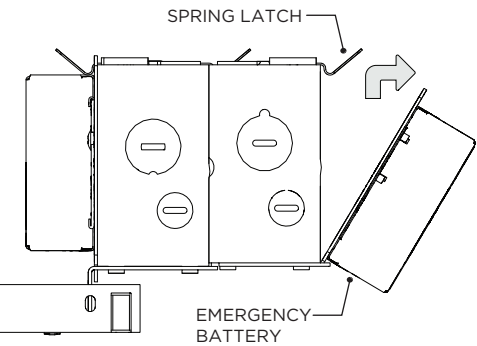
6 NCF - NEW CONSTRUCTION FRAME FOR INTEGRATED BATTERY ONLY

⚠ THIS UNIT UTILIZES MORE THAN ONE POWER SOURCE
⚡ DISCONNECT ALL POWER SOURCES BEFORE SERVICING



ℹ ACCESS ABOVE CEILING REQUIRED FOR DRIVER SERVICING

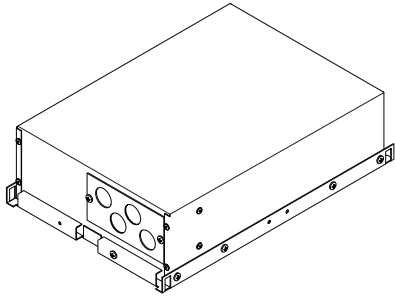
7



REMOVE BATTERY BOX COVER TO ACCESS WIRING

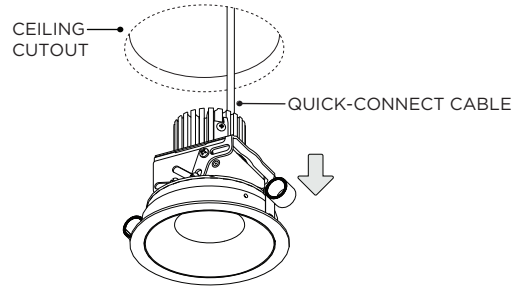
DRIVER SERVICING

1 SH - SHALLOW HOUSING



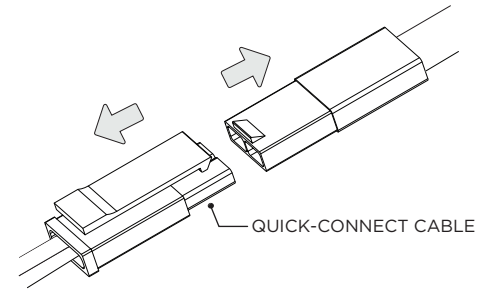
⚡ DISCONNECT POWER BEFORE SERVICING

2



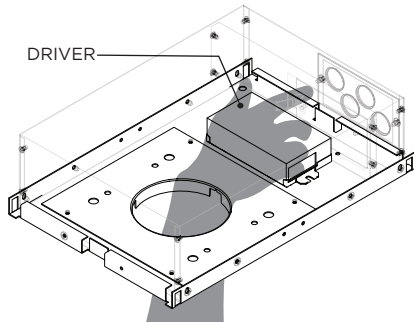
REMOVE LED ASSEMBLY FROM CEILING

2A



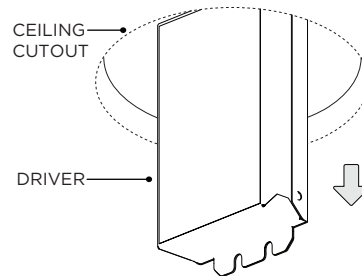
DISCONNECT QUICK-CONNECT CABLE FROM LED ASSEMBLY

3

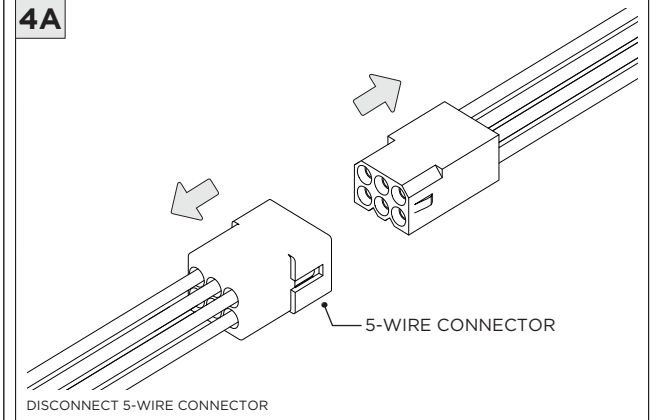


REMOVE DRIVER - SECURED WITH HOOK-AND-LOOP FASTENER

4



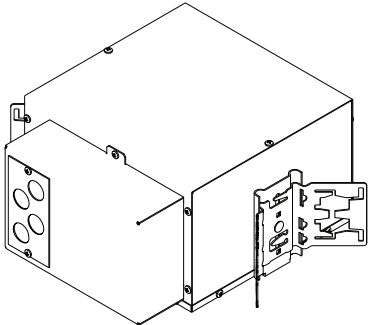
4A



DISCONNECT 5-WIRE CONNECTOR

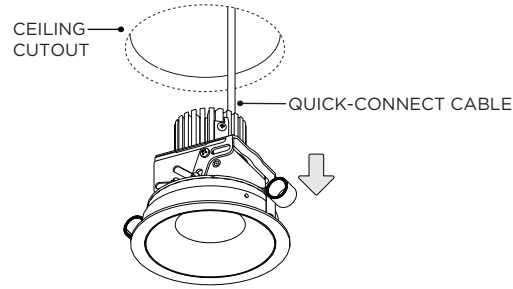
DRIVER SERVICING

1 NC/IC - NEW CONSTRUCTION HOUSING



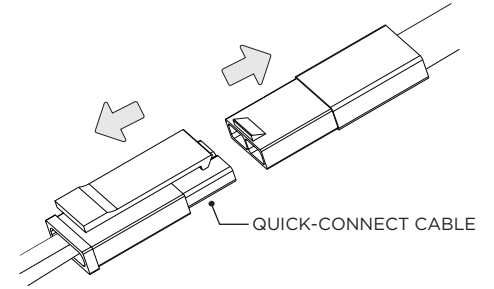
DISCONNECT POWER BEFORE SERVICING

2



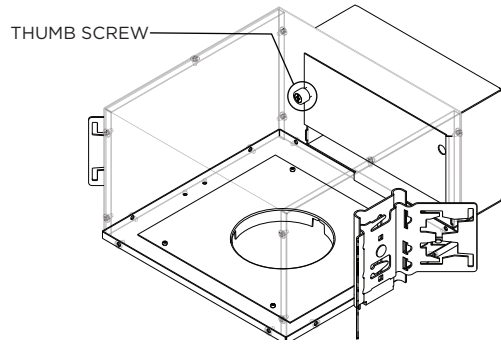
REMOVE LED ASSEMBLY FROM CEILING

2A

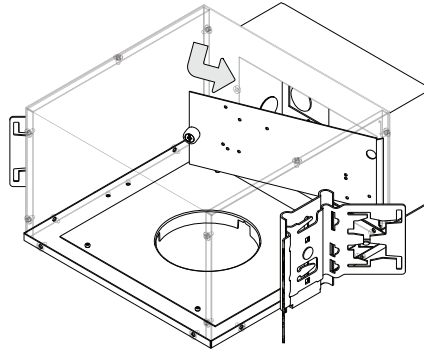


DISCONNECT QUICK-CONNECT CABLE FROM LED ASSEMBLY

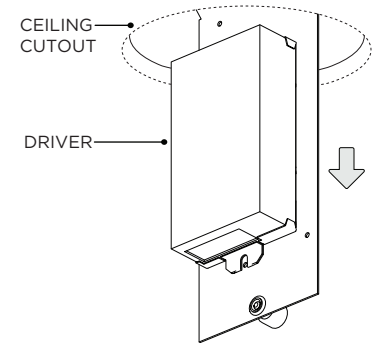
3



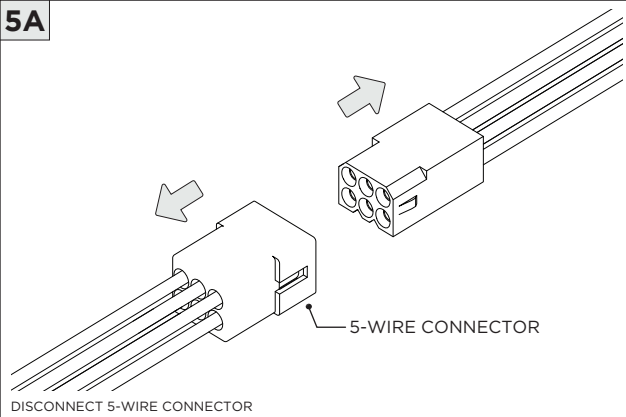
4



5



5A



DISCONNECT 5-WIRE CONNECTOR