



3G-PRU24

24" RUBO
PENDANT MOUNTED



Featuring a fabricated, white sandblasted acrylic diffuser
 Proprietary LED source fully saturates the hand fabricated acrylic
 Evenly illuminated sides with distinctive lines
 Standard and high lumen output options
 Features indirect distribution
 Adjustable aircraft cable suspension and rigid stem option
 1% dimming standard with several integral driver options

ORDERING INFORMATION

PROJECT:	<input type="text"/>	TYPE:	<input type="text"/>
CATALOG #:	<input type="text"/>	DATE:	<input type="text"/>

CAT. NO	LED SYSTEM	COLOR TEMP	VOLTAGE	DRIVER
3G-PRU24	L2 - STANDARD OUTPUT	27K - 2700K	UNV - 120/277V	DIM - 0-10V (STANDARD 100-1%) DHL2 - LUTRON HI-LUME LDE (100-1% ECOSYSTEM) DALI - DALI (100-1%) DO1 - 0-10V (100-0.1%) DMX - DMX (100-0%)
	L4 - HIGH OUTPUT	30K - 3000K	120 - 120V	
		35K - 3500K	347 - 347V (0-10V ONLY)	
		40K - 4000K		
Consult 3G for custom outputs				

FINISH	SUSPENSION TYPE	SUSPENSION LENGTH	OPTIONS
WH - WHITE (STANDARD) SV - SILVER Canopy provided in white as standard	AC - AIRCRAFT CABLE (STANDARD) RSW - WHITE RIGID STEM	60 - 60" CABLE (STANDARD) 120 - 120" CABLE S24 - 24" STEM S48 - 48" STEM S72 - 72" STEM	EM - INTEGRAL EMERGENCY BATTERY SCP - SILVER CANOPY

PERFORMANCE CHART (Based on 3500K)

LED SYSTEM	SYSTEM WATTS	DELIVERED LUMENS	EFFICACY (LM/W)
L2 - STANDARD OUTPUT	26.92	3264	121
L4 - HIGH OUTPUT	42.13	4885	116





3G-PRU24

LIGHTING 24" RUBO - PENDANT MOUNTED

TECHNICAL

HOUSING

White, fabricated sandblasted acrylic diffuser with distinctive lines
Fixture collar made from spun aluminum with powder coated finish
Reflector fabricated in steel with high reflectance white powder coated finish
Twist and lock construction with no visible hardware
Standard polyester powder coated matte white finish. Optional matte silver finish

ELECTRICAL

Standard 0-10V, 100-1% dimming and 0.9 power factor
Standard 120/277V universal voltage drivers. Optional 347V 0-10V driver
Lutron EcoSystem and eLDOLED Dali options available with 100-1% dimming
All drivers are integral and easily accessible within fixture collar
Integral Emergency Battery: 90 minutes

LED SYSTEM

Proprietary LED system
Color consistency < 3 SDCM
Standard (80+CRI)
Available in 27K, 30K, 35K, and 40K
Average rated life of > 50,000 hours
5-year warranty

MOUNTING

Suitable for drywall and wood ceiling applications (see mounting details)
Suitable for various grid ceilings applications (see mounting details)
Aircraft cable suspension with adjustable locking fasteners
1/2" diameter rigid stem option with hang straight (field cuttable with provided stem adapter)
Canopy provided in white finish as standard

LISTING

ETL listed and tested to UL standards. Suitable for dry and damp locations

WARRANTY

5 Year warranty on LED and drivers
Manufacturer 1-year warranty for defects in material and workmanship under normal use
Ambient temperature at fixture should not exceed 25°C

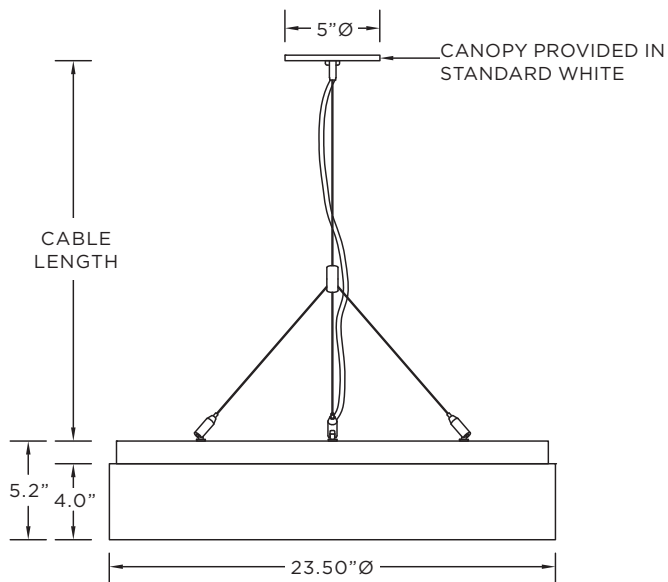
3G

3G-PRU24

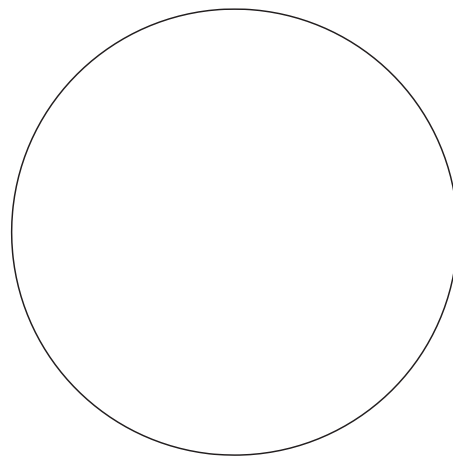
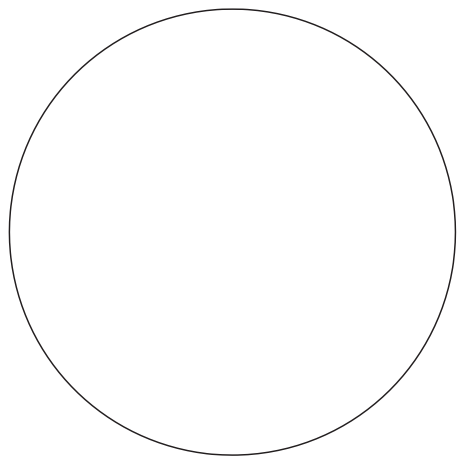
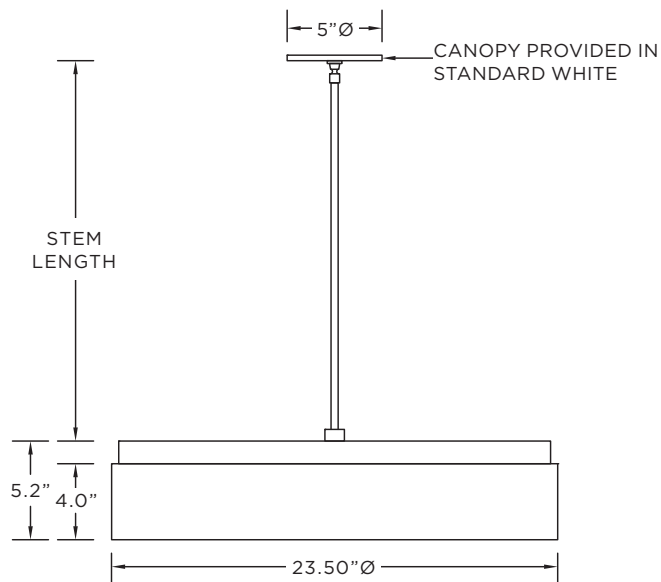
LIGHTING 24" RUBO - PENDANT MOUNTED

DRAWINGS AND DIMENSIONS

CABLE SUSPENSION

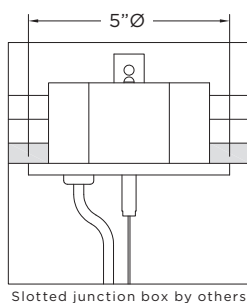


OPTIONAL STEM SUSPENSION



MOUNTING

GRID POWER FEED



DRYWALL POWER FEED

