

3G LIGHTING

3G-SM2

2 LIGHT SURFACE
MADISON

Extruded aluminum housing with fabricated mitered corners
Housing designed with a beveled edge and no visible hardware
Solid aluminum double gimbal with dual axis adjustability
Standard 95+ CRI LED system with performance up to 132 LPW
Delivered lumen range per fixture head up to 3500lm at 95+ CRI
Regressed LED source for enhanced glare control
10° to 90° beam angle options suitable for various applications
Companion to 3G's Madison product family



PROJECT:		TYPE:	
CATALOG#:		DATE:	QTY:

CAT. NO	LUMEN OUTPUT (PER FIXTURE HEAD)**	CRI	COLOR TEMP	BEAM ANGLE
3G-SM2	10 - 1000 LUMENS (2000 TOTAL) 15 - 1500 LUMENS (3000 TOTAL) 20 - 2000 LUMENS (4000 TOTAL) 25 - 2500 LUMENS (5000 TOTAL) 30 - 3000 LUMENS (6000 TOTAL) 35 - 3500 LUMENS (7000 TOTAL) <small>All lumen outputs are delivered lumens at 95+ CRI</small>	H95 - 95+ CRI	27K - 2700K 30K - 3000K 35K - 3500K 40K - 4000K	10D - 10° ¹ 20D - 20° 40D - 40° 60D - 60° 90D - 90° * <small>*90D optic supplied with lens Not available with other lens options</small>

VOLTAGE	DRIVER	GIMBAL FINISH	HOUSING FINISH
UNV - 120/277V 120 - 120V 347 - 347V ²	DIM - 0-10V (100-1%) LE - PHASE DIM ³ <small>(TRIAC/ELV, 100-1%)</small> D01 - 0-10V (100-0.1%) DALI - DALI (100-1%) ⁴ DMX - DMX (100-0%) DHL2 - LUTRON HI-LUME LDE1 <small>(1% ECOSYSTEM)</small>	NG - NATURAL ALUMINUM BG - BLACK GIMBAL WG - WHITE GIMBAL	BK - BLACK WH - WHITE SV - SILVER CF - CUSTOM <small>*Housing interior & exterior will be powder coated the same color</small>

OPTIONS
2C - 2 CIRCUIT CDF - CONDUIT FEED SF - SOFTENING LENS SB - SANDBLASTED LENS LS - LINEAR SPREAD LENS HXB - BLACK HEXCELL LOUVER STN - NATURAL SNOOT STB - BLACK SNOOT STW - WHITE SNOOT EMR - REMOTE EMERGENCY BATTERY ⁵ <small>*Lens option not available with 90D optic Maximum 3 optical accessories per fixture head</small>

****** 3G has upgraded our LED system and overall performance at no additional cost. We now offer 95+CRI as standard. All lumen outputs are delivered lumens. This upgraded LED system is more efficient than our previous 80CRI, 90CRI, and 97CRI options. Please see the last page of this spec sheet to cross-reference old lumen outputs with our new, 95+CRI lumen output options

- ¹ 10D reflector available up to 2500lm
- ² 347 available in "DIM" 0-10V only (100-1%)
- ³ Phase dimming options available in 120V only
- ⁴ DALI-2 (Type 6) provided as standard
- ⁵ Supplied with enclosure with Emergency Battery and driver. Installed remotely by others. Not accessible through fixture aperture

PERFORMANCE (PER FIXTURE HEAD)

LUMEN OUTPUT	DELIVERED LUMENS	SYSTEM WATTS	EFFICACY (LPW)
1000	1000	8.1	123
1500	1500	12.3	122
2000	2000	16.2	123
2500	2500	20.5	122
3000	3000	25.8	116
3500	3500	30.1	116

BASED ON 95+ CRI, 3500K, 40D OPTIC
Lumen output and actual wattage may vary +/- 5%

MULTIPLIERS

BEAM ANGLE	
10D	1.05
20D	1.03
40D	1.00
60D	1.00
90D	0.90

COLOR TEMP	
2700K	0.98
3000K	1.00
3500K	1.00
4000K	1.02

HOUSING

Extruded aluminum housing with fabricated mitered corners
Housing design features a beveled edge and no visible hardware
Integral driver compartment fabricated in cold rolled steel
Standard polyester powder coated interior and exterior
available in matte white, matte black, and matte silver

ADJUSTABILITY

Solid aluminum double gimbal with dual axis adjustability
Each double gimbal can be locked in place

OPTICS

Proprietary anodized, aluminum reflectors
Beam angle available in 10°, 20°, 40° and 60°, and 90°
Reflectors are field replaceable (10° reflector not interchangeable)

LED SYSTEM

Standard 95+ CRI
Color consistency <2 SDCM
Available in 27K, 30K, 35K, and 40K
L90 > 50,000 hours

ELECTRICAL

Standard 0-10V, constant current drivers
100-1% dimming range and >0.9 power factor
Standard 120/277V universal voltage with several driver options
120V Forward Phase/Reverse Phase driver option (100-1%)
Integral drivers are easily accessible through luminaire aperture

EMERGENCY

7W output for 90 minutes (One fixture head +/- 850lm at 95+ CRI)
Title 24 Certified
Remote emergency battery not accessible through fixture aperture
Maximum remote mounting distance:
3000lm or below - 50ft (12AWG) or 25ft (14AWG)
Above 3000lm - 30ft (12AWG) or 20ft (14AWG)
Caution: Emergency Battery utilizes more than one power source
and servicing should be performed by qualified personnel

MOUNTING

Suitable for surface mounted applications
Suitable for drywall, concrete, wood, grid ceiling, and other
architectural ceilings
Fixture mounts to a standard junction box
Optional conduit feed available

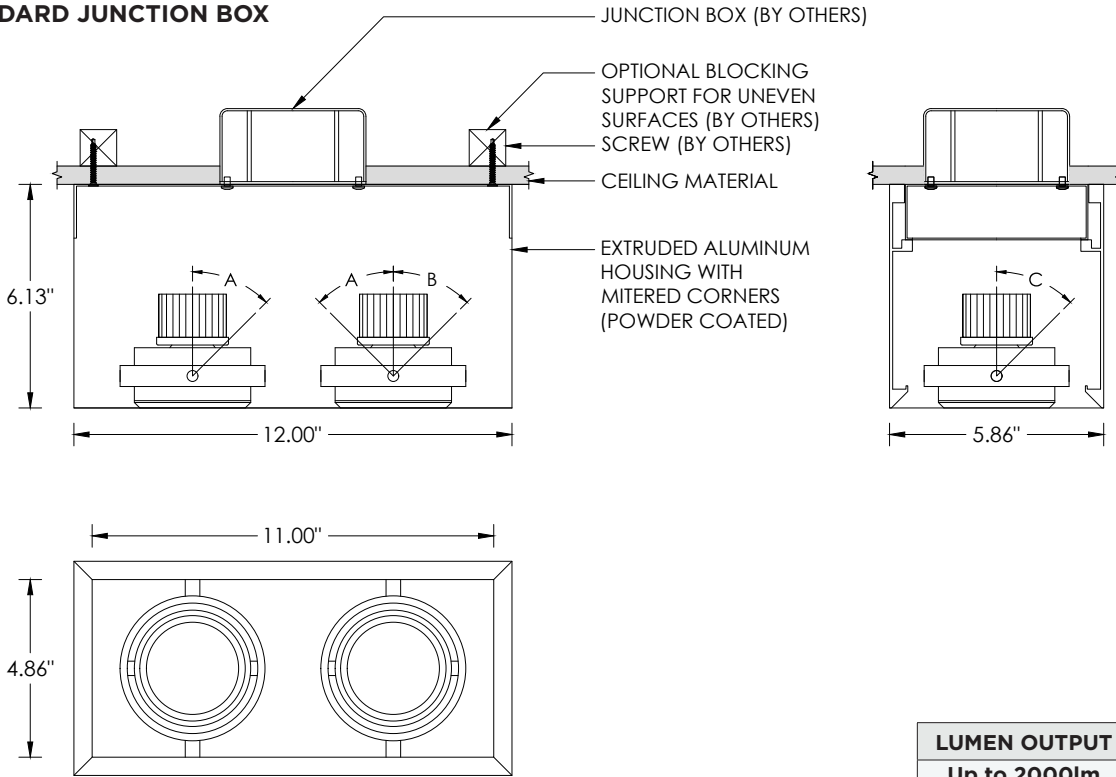
LISTING

ETL listed and conforms to UL1598 standard
Certified to CSA22.2 NO.250.0.
Rated for dry or damp locations

WARRANTY

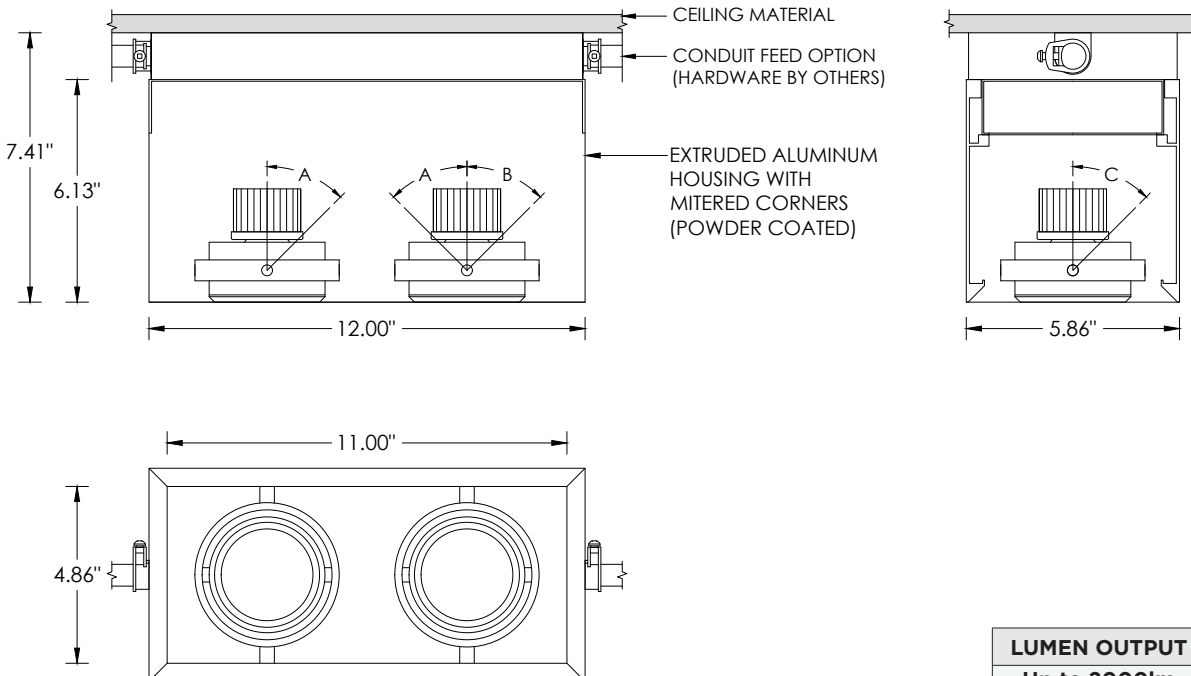
5 year limited warranty
LED system rated for operation in ambient environments up to 25°C

STANDARD JUNCTION BOX



LUMEN OUTPUT	A	B	C
Up to 2000lm	45°	45°	35°
2500lm/3000lm	30°	45°	35°
3500lm	15°	25°	20°

CONDUIT FEED OPTION



LUMEN OUTPUT	A	B	C
Up to 2000lm	45°	45°	35°
2500lm/3000lm	30°	45°	35°
3500lm	15°	25°	20°

LUMEN OUTPUT REFERENCE CHART

3G has upgraded our LED system and overall performance at no additional cost. We now offer 95+CRI as standard. All lumen outputs are delivered lumens. This new LED system is more efficient than our previous 80CRI, 90CRI, and 97CRI options. Please use these charts to cross-reference old lumen outputs with our new, 95+CRI lumen output options

80CRI REFERENCE CHARTS

MATCH THE GRADIENT SHADE FROM THE OLD LUMEN OUTPUT CHART TO THE NEW LUMEN OUTPUT OPTION

OLD 80CRI SPECS			
LUMEN OUTPUT	DELIVERED LUMENS	SYSTEM WATTS	EFFICACY (LPW)
1000	1080	10.3	105
1500	1444	14.0	103
2200	2089	22.0	95
3000	2815	31.1	90

NEW 95+CRI SPECS			
LUMEN OUTPUT	DELIVERED LUMENS	SYSTEM WATTS	EFFICACY (LPW)
1000	1000	8.1	123
1500	1500	12.3	122
2000	2000	16.2	123
2500	2500	20.5	122
3000	3000	25.8	116
3500	3500	30.1	116

90CRI REFERENCE CHARTS

MATCH THE GRADIENT SHADE FROM THE OLD LUMEN OUTPUT CHART TO THE NEW LUMEN OUTPUT OPTION

OLD 90CRI SPECS			
LUMEN OUTPUT	DELIVERED LUMENS	SYSTEM WATTS	EFFICACY (LPW)
1000	951	10.3	92
1500	1271	14.0	91
2200	1838	22.0	84
3000	2477	31.1	79

NEW 95+CRI SPECS			
LUMEN OUTPUT	DELIVERED LUMENS	SYSTEM WATTS	EFFICACY (LPW)
1000	1000	8.1	123
1500	1500	12.3	122
2000	2000	16.2	123
2500	2500	20.5	122
3000	3000	25.8	116
3500	3500	30.1	116