

3G LIGHTING

3G-SM1

1 LIGHT MADISON
SURFACE MOUNTED
DYNAMIC WHITE

Extruded aluminum housing with fabricated mitered corners
Housing design features a beveled edge with no visible hardware
Machined aluminum double gimbals. Adjustable and lockable
2.75" Regressed LED source for enhanced glare control
Dim to Warm and Tunable White LED options up to 2000lm (90+ CRI)
Adjustable aircraft cable suspension
1% dimming standard with integral drivers



3GD **3GT**

ORDERING INFORMATION

PROJECT:	<input type="text"/>	TYPE:	<input type="text"/>
CATALOG #:	<input type="text"/>	DATE:	<input type="text"/>

CAT. NO	LED SOURCE	LUMEN OUTPUT	CRI	BEAM ANGLE	VOLTAGE
3G-SM1	DW - DIM TO WARM (1800-3000K)	08 - 800 LUMENS 12 - 1200 LUMENS	H90 - 90+ CRI	10D - 10° ² 20D - 20° 40D - 40° 60D - 60° 90D - 90°*	UNV - 120/277V 120 - 120V 347 - 347V (0-10V ONLY)
	TW - TUNABLE WHITE ¹ (2700K-6500K)	20 - 2000 LUMENS			

* 90D reflector supplied standard with lens

DRIVER	GIMBAL FINISH	HOUSING	OPTIONS
DIM - 0-10V (STANDARD 100-1%) LE - PHASE DIMMING ³ (TRIAC/ELV, 100-1%) D01 - 0-10V (eIdoLED, 100-0.1%) ¹ DALI - DALI (eIdoLED, 100-1%) ^{1,4} DHL2 - LUTRON HI-LUME LDE1 (1% ECOSYSTEM) DMX - DMX (eIdoLED, 100-0%) ¹	NG - NATURAL (STANDARD) BG - BLACK WG - WHITE	BK - BLACK WH - WHITE SV - SILVER CF - CUSTOM Housing interior & exterior will be powder coated the same color	CDF - CONDUIT FEED SF70 - SOFTENING LENS LS70 - LINEAR SPREAD LENS SB70 - SANDBLASTED LENS HXB70 - BLACK HEXCELL LOUVER Maximum 3 optical accessories. See optical accessories page for more options

- ¹ Tunable White option available with D01, DALI and DMX drivers
² 10D reflector available with 800 lumen output only
³ Forward Phase/Reverse Phase driver available in 120V only
⁴ DALI-2 (Type 6) provided as standard. Please consult factory for DALI (Type 8) options

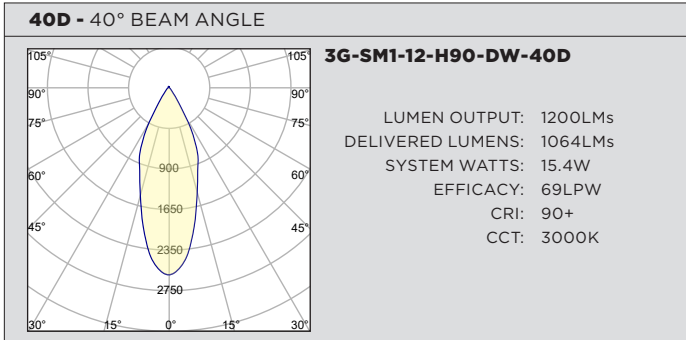
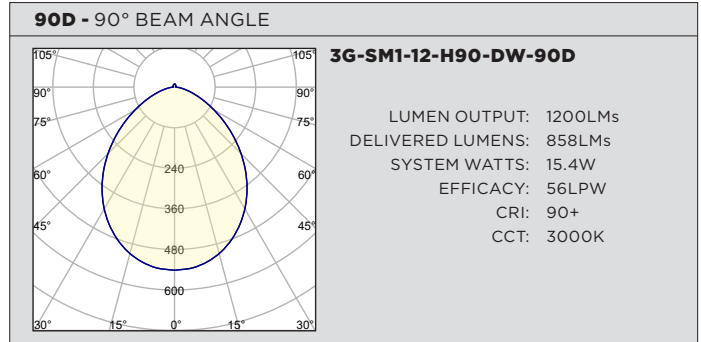
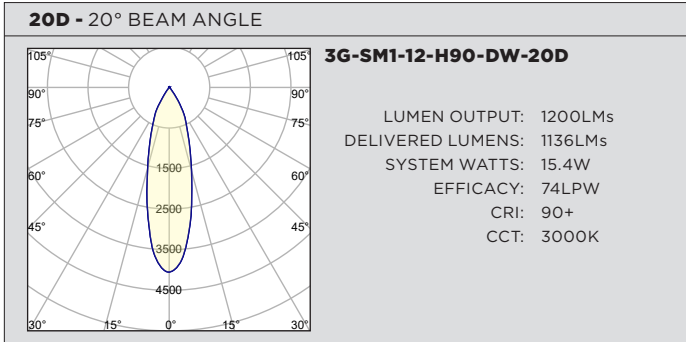
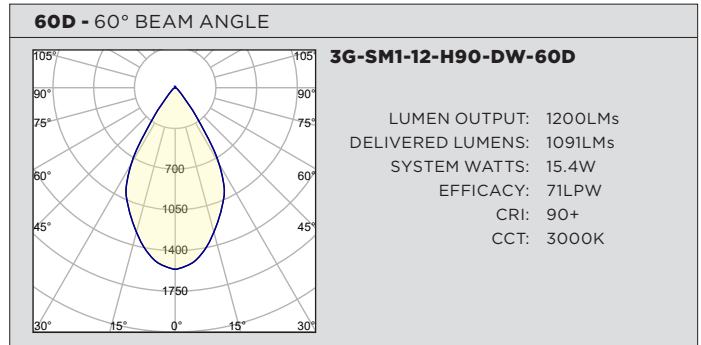
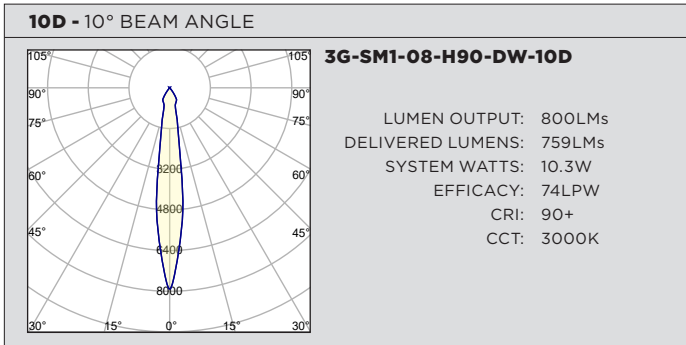
3GD - Warm Dim
3GT - Tunable White

OCTOBER 26, 2022

PERFORMANCE CHART BASED ON 20° BEAM AND 3000K SOURCE

DIM TO WARM LUMEN OUTPUT	90+ CRI (3000K)		
	DELIVERED LUMENS	SYSTEM WATTS	EFFICACY (LPW)
800LMs	N/A	N/A	N/A
1200LMs	1136	15.4	74
2000LMs	1593	23.2	69

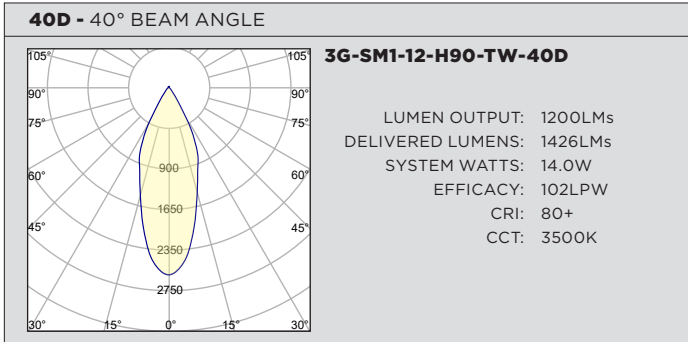
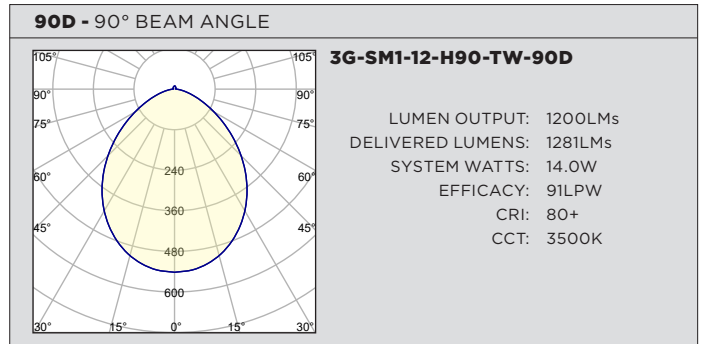
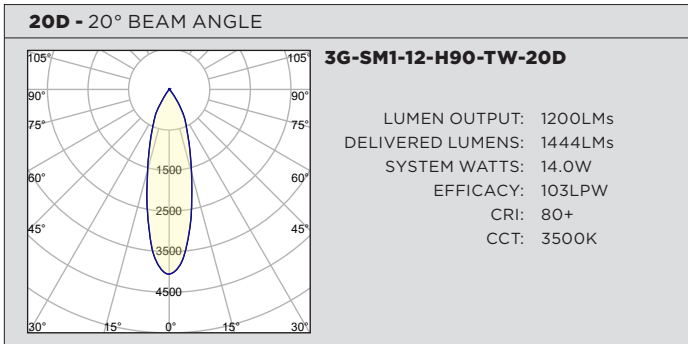
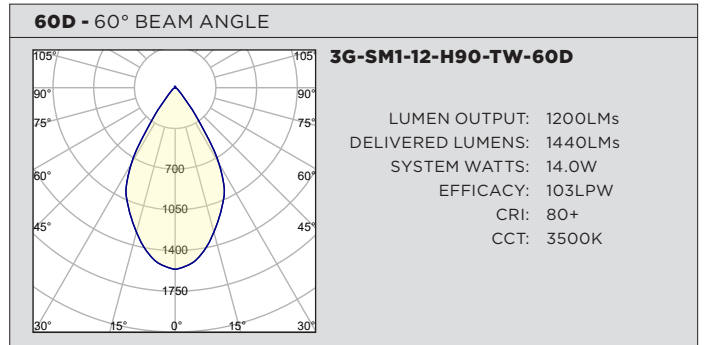
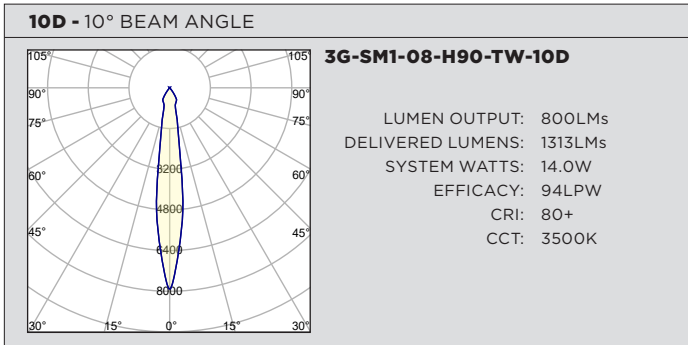
PHOTOMETRY



PERFORMANCE CHART BASED ON 20° BEAM

TUNABLE WHITE LUMEN OUTPUT	90+ CRI (2700K)			90+ CRI (3500K)			90+ CRI (6500K)		
	DELIVERED LUMENS	SYSTEM WATTS	EFFICACY (LPW)	DELIVERED LUMENS	SYSTEM WATTS	EFFICACY (LPW)	DELIVERED LUMENS	SYSTEM WATTS	EFFICACY (LPW)
800LMs	N/A	N/A	N/A	N/A	N/A	N/A	N/A	N/A	N/A
1200LMs	1066	16.6	64	1091	16.6	66	1221	16.6	74
2000LMs	1491	24.5	61	1561	24.5	64	1684	24.5	69

PHOTOMETRY



TECHNICAL**HOUSING**

- Extruded aluminum housing with fabricated mitered corners
- Housing design features a beveled edge with no visible hardware
- Integral driver compartment fabricated in cold rolled steel
- Standard polyester powder coated interior and exterior available in matte white, matte black, and matte silver

ADJUSTABILITY

- Solid aluminum, 70mm machined double gimbals with dual axis adjustability (45°x45°)
- Each double gimbal can be locked into place

OPTICS

- Regressed LED source for enhanced glare control
- Proprietary anodized, aluminum reflectors are field replaceable (10° reflector not interchangeable)
- Available in 10°, 20°, 40°, 60°, and 90°
- Fixture head designed to accept 3 optical accessories

ELECTRICAL

- Standard 0-10V, constant current drivers with 100-1% dimming range and >0.9 power factor
- Standard 120/277V universal voltage drivers. Optional 347V, 0-10V drivers
- 120V Forward Phase/Reverse Phase driver option with 100-1% dimming range
- eldoLED 0-10V driver option available with 100-0.01% dimming range
- eldoLED DALI and Lutron EcoSystem driver options available with 100-1% dimming range
- DMX driver option available with 100-0% dimming range
- All drivers are integral and easily accessible through the top of the fixture housing

LED SYSTEM

- Bridgelux LED module (field replaceable)
- Color consistency <3 SDCM
- Standard 90+ CRI
- Dim to Warm (1800K-3000K)
- Tunable White (2700K-6500K)
- L70 >50,000 hours
- 5 Year Warranty

MOUNTING

- Suitable for surface mounted applications
- Suitable for drywall, concrete, wood, grid ceiling, and other architectural ceilings
- Fixture mounts to a standard junction box
- Optional conduit feed available

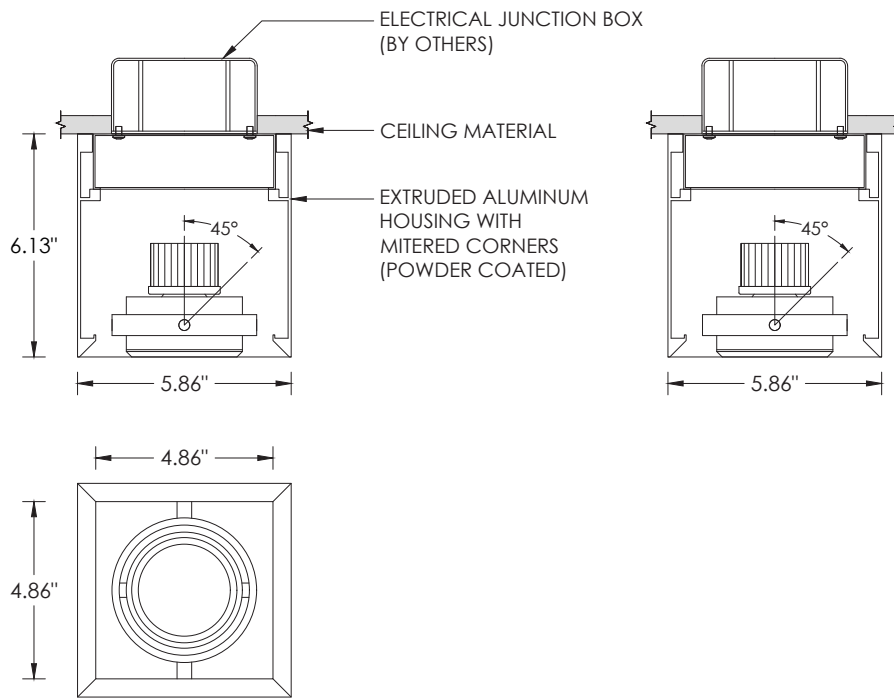
LISTING

- ETL listed and conforms to UL1598 standard. Certified to CSA22.2 NO.250.0. Rated for indoor dry or damp locations

WARRANTY

- 5 Year Warranty on LED and drivers
- Manufacturer 1 Year Warranty for defects in material and workmanship under normal use
- Ambient temperature at fixture should not exceed 25°C

DRAWINGS AND DIMENSIONS STANDARD JUNCTION BOX



DRAWINGS AND DIMENSIONS CONDUIT FEED OPTION

