

# 3G LIGHTING

## 3G-SM1

1 LIGHT SURFACE  
MADISON

Extruded aluminum housing with fabricated mitered corners  
Housing designed with a beveled edge and no visible hardware  
Solid aluminum double gimbal with dual axis adjustability  
Standard 95+ CRI LED system with performance up to 132 LPW  
Delivered lumen range per fixture head up to 3500lm at 95+ CRI  
Regressed LED source for enhanced glare control  
10° to 90° beam angle options suitable for various applications  
Companion to 3G's Madison product family



<b>PROJECT:</b>		<b>TYPE:</b>	
<b>CATALOG#:</b>		<b>DATE:</b>	<b>QTY:</b>

CAT. NO	LUMEN OUTPUT**	CRI	COLOR TEMP	BEAM ANGLE	VOLTAGE
<b>3G-SM1</b>	<b>10</b> - 1000 LUMENS <b>15</b> - 1500 LUMENS <b>20</b> - 2000 LUMENS <b>25</b> - 2500 LUMENS <b>30</b> - 3000 LUMENS <b>35</b> - 3500 LUMENS <small>All lumen outputs are delivered lumens at 95+ CRI</small>	<b>H95</b> - 95+ CRI	<b>27K</b> - 2700K <b>30K</b> - 3000K <b>35K</b> - 3500K <b>40K</b> - 4000K	<b>10D</b> - 10° <sup>1</sup> <b>20D</b> - 20° <b>40D</b> - 40° <b>60D</b> - 60° <b>90D</b> - 90° * <small>*90D optic supplied with lens Not available with other lens options</small>	<b>UNV</b> - 120/277V <b>120</b> - 120V <b>347</b> - 347V <sup>2</sup>

DRIVER	GIMBAL FINISH	HOUSING FINISH	OPTIONS
<b>DIM</b> - 0-10V (100-1%) <b>LE</b> - PHASE DIM <sup>3</sup> <small>(TRIAC/ELV, 100-1%)</small> <b>DO1</b> - 0-10V (100-0.1%) <b>DALI</b> - DALI (100-1%) <sup>4</sup> <b>DMX</b> - DMX (100-0%) <b>DHL2</b> - LUTRON HI-LUME LDE1 <small>(1% ECOSYSTEM)</small>	<b>NG</b> - NATURAL ALUMINUM <b>BG</b> - BLACK GIMBAL <b>WG</b> - WHITE GIMBAL	<b>BK</b> - BLACK <b>WH</b> - WHITE <b>SV</b> - SILVER <b>CF</b> - CUSTOM <small>*Housing interior &amp; exterior will be powder coated the same color</small>	<b>CDF</b> - CONDUIT FEED <b>SF</b> - SOFTENING LENS <b>SB</b> - SANDBLASTED LENS <b>LS</b> - LINEAR SPREAD LENS <b>HXB</b> - BLACK HEXCELL LOUVER <b>STN</b> - NATURAL SNOOT <b>STB</b> - BLACK SNOOT <b>STW</b> - WHITE SNOOT <b>EMR</b> - REMOTE EMERGENCY <sup>5</sup> BATTERY <small>*Lens option not available with 90D optic Maximum 3 optical accessories</small>

- <sup>1</sup> 10D reflector available up to 2500lm
- <sup>2</sup> 347 available in "DIM" 0-10V only (100-1%)
- <sup>3</sup> Phase dimming options available in 120V only
- <sup>4</sup> DALI-2 (Type 6) provided as standard
- <sup>5</sup> Supplied with enclosure with Emergency Battery and driver. Installed remotely by others. Not accessible through fixture aperture

**\*\*** 3G has upgraded our LED system and overall performance at no additional cost. We now offer 95+CRI as standard. All lumen outputs are delivered lumens. This upgraded LED system is more efficient than our previous 80CRI, 90CRI, and 97CRI options. Please see the last page of this spec sheet to cross-reference old lumen outputs with our new, 95+CRI lumen output options

**PERFORMANCE**

LUMEN OUTPUT	DELIVERED LUMENS	SYSTEM WATTS	EFFICACY (LPW)
1000	1000	8.1	123
1500	1500	12.3	122
2000	2000	16.2	123
2500	2500	20.5	122
3000	3000	25.8	116
3500	3500	30.1	116

BASED ON 95+ CRI, 3500K, 40D OPTIC  
Lumen output and actual wattage may vary +/- 5%

**MULTIPLIERS**

BEAM ANGLE	
10D	1.05
20D	1.03
40D	1.00
60D	1.00
90D	0.90

COLOR TEMP	
2700K	0.98
3000K	1.00
3500K	1.00
4000K	1.02

**HOUSING**

Extruded aluminum housing with fabricated mitered corners  
Housing design features a beveled edge and no visible hardware  
Integral driver compartment fabricated in cold rolled steel  
Standard polyester powder coated interior and exterior  
available in matte white, matte black, and matte silver

**ADJUSTABILITY**

Solid aluminum double gimbal with dual axis adjustability  
Each double gimbal can be locked in place

**OPTICS**

Proprietary anodized, aluminum reflectors  
Beam angle available in 10°, 20°, 40° and 60°, and 90°  
Reflectors are field replaceable (10° reflector not interchangeable)

**LED SYSTEM**

Standard 95+ CRI  
Color consistency <2 SDCM  
Available in 27K, 30K, 35K, and 40K  
L90 > 50,000 hours

**ELECTRICAL**

Standard 0-10V, constant current drivers  
100-1% dimming range and >0.9 power factor  
Standard 120/277V universal voltage with several driver options  
120V Forward Phase/Reverse Phase driver option (100-1%)  
Integral drivers are easily accessible through luminaire aperture

**EMERGENCY**

7W output for 90 minutes (One fixture head +/- 850lm at 95+ CRI)  
Title 24 Certified  
Remote emergency battery not accessible through fixture aperture  
Maximum remote mounting distance:  
3000lm or below - 50ft (12AWG) or 25ft (14AWG)  
Above 3000lm - 30ft (12AWG) or 20ft (14AWG)  
Caution: Emergency Battery utilizes more than one power source  
and servicing should be performed by qualified personnel

**MOUNTING**

Suitable for surface mounted applications  
Suitable for drywall, concrete, wood, grid ceiling, and other  
architectural ceilings  
Fixture mounts to a standard junction box  
Optional conduit feed available

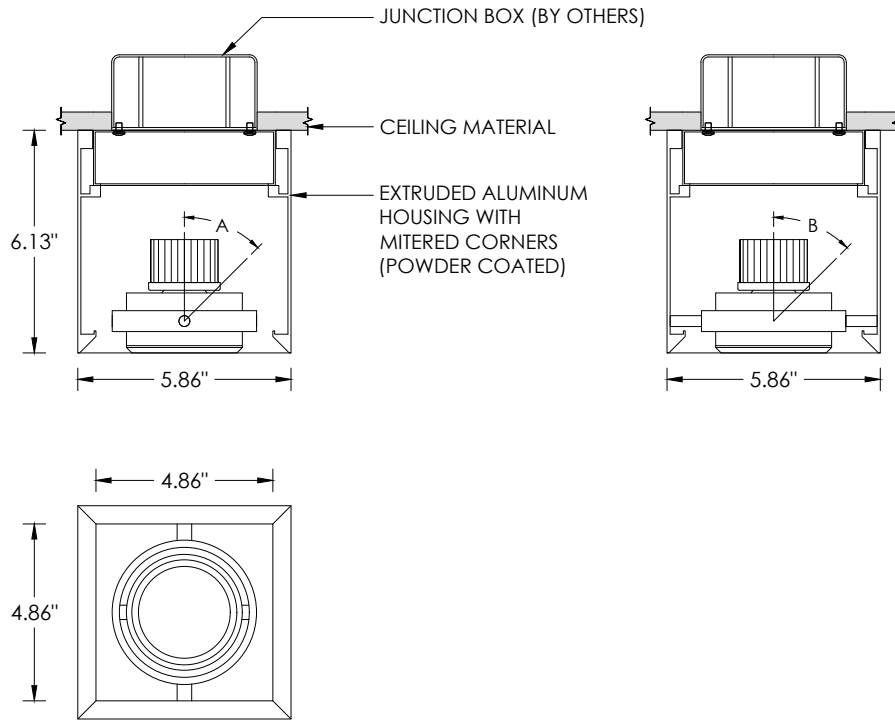
**LISTING**

ETL listed and conforms to UL1598 standard  
Certified to CSA22.2 NO.250.0.  
Rated for dry or damp locations

**WARRANTY**

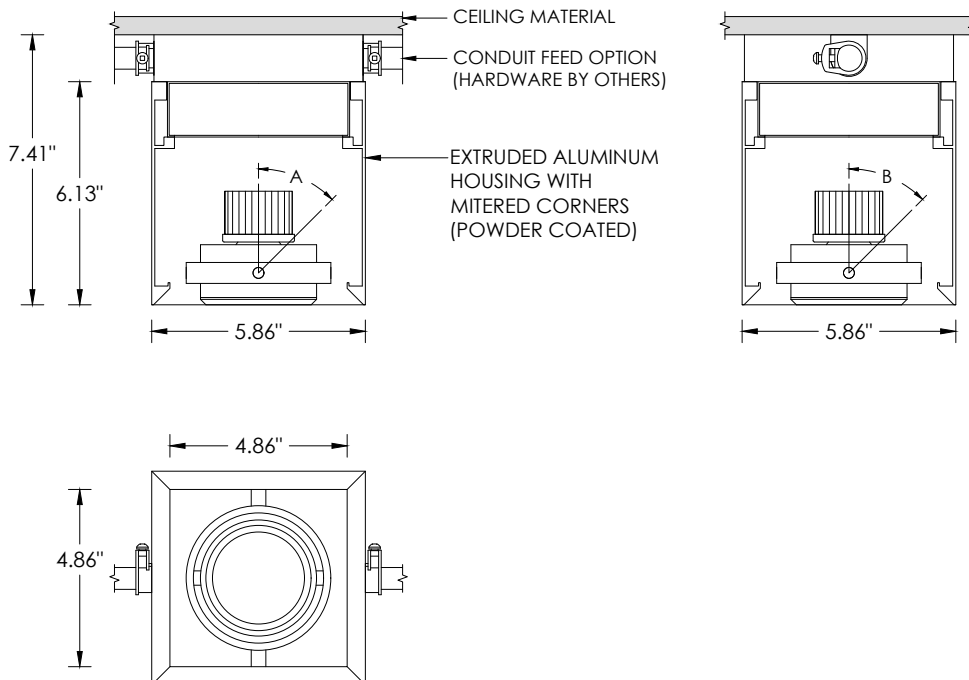
5 year limited warranty  
LED system rated for operation in ambient environments up to 25°C

**STANDARD JUNCTION BOX**



LUMEN OUTPUT	A	B
Up to 2000lm	45°	35°
2500lm/3000lm	35°	35°
3500lm	20°	20°

**CONDUIT FEED OPTION**



LUMEN OUTPUT	A	B
Up to 2000lm	45°	35°
2500lm/3000lm	35°	35°
3500lm	20°	20°

**LUMEN OUTPUT REFERENCE CHART**

3G has upgraded our LED system and overall performance at no additional cost. We now offer 95+CRI as standard. All lumen outputs are delivered lumens. This new LED system is more efficient than our previous 80CRI, 90CRI, and 97CRI options. Please use these charts to cross-reference old lumen outputs with our new, 95+CRI lumen output options

**80CRI REFERENCE CHARTS**

MATCH THE GRADIENT SHADE FROM THE OLD LUMEN OUTPUT CHART TO THE NEW LUMEN OUTPUT OPTION

OLD 80CRI SPECS			
LUMEN OUTPUT	DELIVERED LUMENS	SYSTEM WATTS	EFFICACY (LPW)
1000	1080	10.3	105
1500	1444	14.0	103
2200	2089	22.0	95
3000	2815	31.1	90

NEW 95+CRI SPECS			
LUMEN OUTPUT	DELIVERED LUMENS	SYSTEM WATTS	EFFICACY (LPW)
1000	1000	8.1	123
1500	1500	12.3	122
2000	2000	16.2	123
2500	2500	20.5	122
3000	3000	25.8	116
3500	3500	30.1	116

**90CRI REFERENCE CHARTS**

MATCH THE GRADIENT SHADE FROM THE OLD LUMEN OUTPUT CHART TO THE NEW LUMEN OUTPUT OPTION

OLD 90CRI SPECS			
LUMEN OUTPUT	DELIVERED LUMENS	SYSTEM WATTS	EFFICACY (LPW)
1000	951	10.3	92
1500	1271	14.0	91
2200	1838	22.0	84
3000	2477	31.1	79

NEW 95+CRI SPECS			
LUMEN OUTPUT	DELIVERED LUMENS	SYSTEM WATTS	EFFICACY (LPW)
1000	1000	8.1	123
1500	1500	12.3	122
2000	2000	16.2	123
2500	2500	20.5	122
3000	3000	25.8	116
3500	3500	30.1	116