

# 3G LIGHTING

## 3G-SCL45R

4.5" DIAMETER CYLINDER  
SURFACE MOUNTED  
DYNAMIC WHITE

4.5" diameter high performance cylinder  
Companion to 3G-DL45R series downlight family  
Extruded aluminum housing with powder coated finish  
Twist and lock construction and no visible hardware  
Regressed LED source for enhanced glare control  
Dim to Warm and Tunable White LED options up to 2000lm (90+ CRI)  
1% dimming standard with several integral driver options



**3GD 3GT**

### ORDERING INFORMATION

<b>PROJECT:</b>	<input type="text"/>	<b>TYPE:</b>	<input type="text"/>
<b>CATALOG #:</b>	<input type="text"/>	<b>DATE:</b>	<input type="text"/>

CAT. NO	LED SOURCE	LUMEN OUTPUT	CRI	BEAM ANGLE	VOLTAGE
<b>3G-SCL45R</b>	<b>DW</b> - DIM TO WARM (1800-3000K)	<b>08</b> - 800 LUMENS <b>12</b> - 1200 LUMENS	<b>H90</b> - 90+ CRI	<b>10D</b> - 10° <sup>2</sup> <b>20D</b> - 20° <b>40D</b> - 40° <b>60D</b> - 60° <b>90D</b> - 90° *	<b>UNV</b> - 120/277V <b>120</b> - 120V <b>347</b> - 347V (0-10V ONLY)
	<b>TW</b> - TUNABLE WHITE <sup>1</sup> (2700K-6500K)	<b>20</b> - 2000 LUMENS			

\* 90D reflector supplied standard with lens

DRIVER	CYLINDER & INSERT FINISH	OPTIONS
<b>DIM</b> - 0-10V (STANDARD 100-1%) <b>LE</b> - PHASE DIMMING <sup>3</sup> (TRIAC/ELV, 100-1%) <b>LTEA</b> - LUTRON HI-LUME LTEA <sup>3</sup> (FWD PHASE, 100-1%) <b>D01</b> - 0-10V (100-0.1%) <sup>1,4</sup> <b>DALI</b> - DALI (100-1%) <sup>1</sup> <b>DHL2</b> - LUTRON HI LUME LDE1 (1% ECOSYSTEM) <b>DMX</b> - DMX (100-0%) <sup>1</sup>	<b>WH</b> - WHITE (STANDARD) <b>BK</b> - BLACK <b>SV</b> - SILVER <b>CF</b> - CUSTOM RAL COLOR	<b>HXB70</b> - BLACK HEXCELL LOUVER <b>LS70</b> - LINEAR SPREAD <b>SB70</b> - SANDBLASTED LENS <b>SF70</b> - SOFTENING LENS  Maximum 1 optical accessory

- <sup>1</sup> Tunable White option available with D01, DALI and DMX drivers
- <sup>2</sup> 10D reflector available with 800 lumen output only
- <sup>3</sup> Phase dimming options available in 120V only
- <sup>4</sup> DALI-2 (Type 6) provided as standard. Please consult factory for DALI (Type 8) options

**3GD** - Warm Dim  
**3GT** - Tunable White

SEPTEMBER 18, 2020



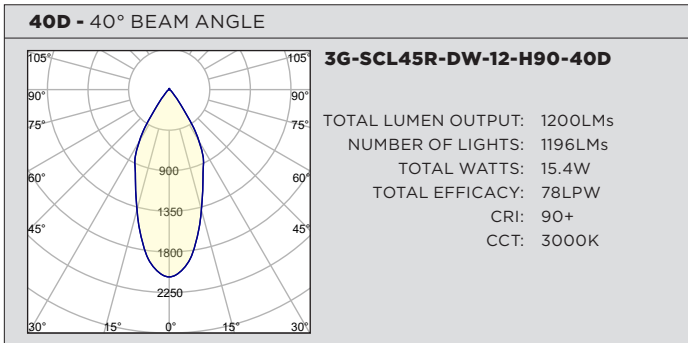
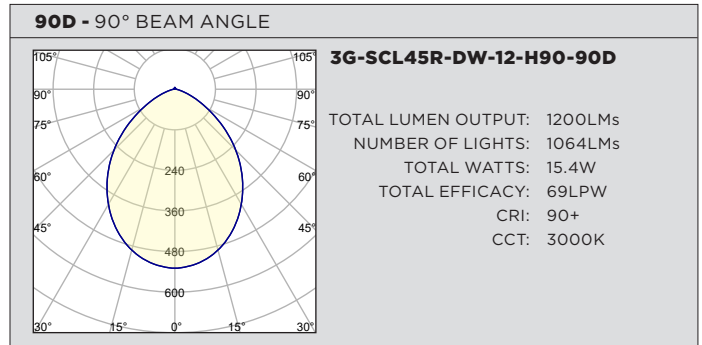
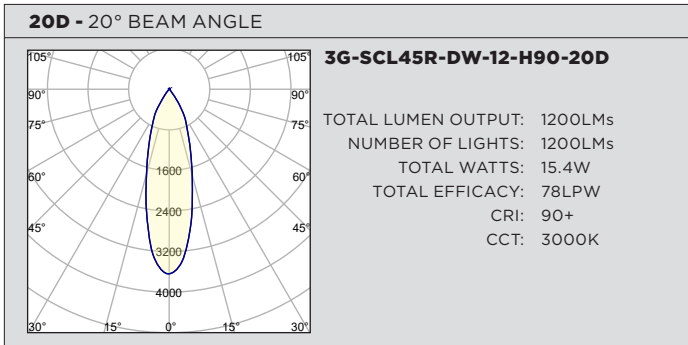
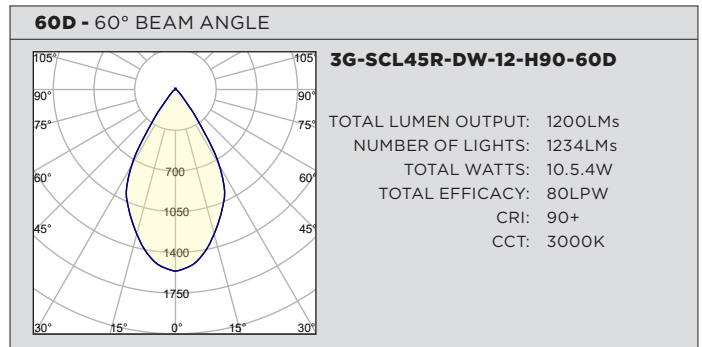
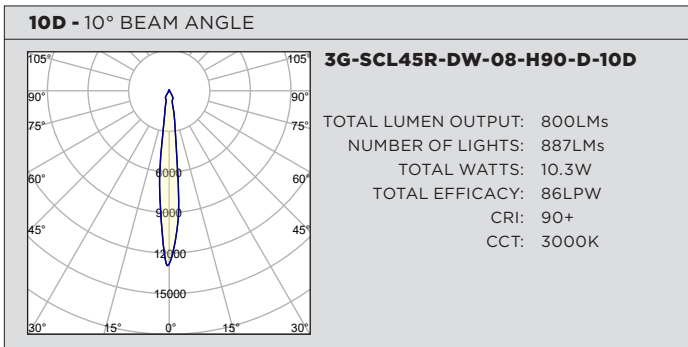
**3G-SCL45R**

LIGHTING 4.5" DIAMETER CYLINDER SURFACE MOUNTED DYNAMIC WHITE

**PERFORMANCE CHART** BASED ON 20° BEAM AND 3000K SOURCE

DIM TO WARM LUMEN OUTPUT	90+ CRI (3000K)		
	DELIVERED LUMENS	SYSTEM WATTS	EFFICACY (LPW)
<b>800LMs</b>	N/A	N/A	N/A
<b>1200LMs</b>	1200	15.4	78
<b>2000LMs</b>	1689	23.2	73

**PHOTOMETRY**





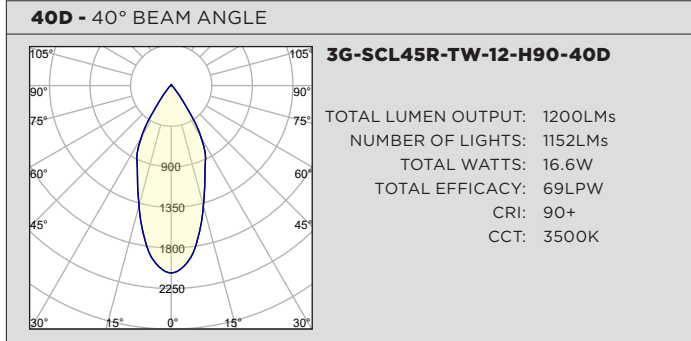
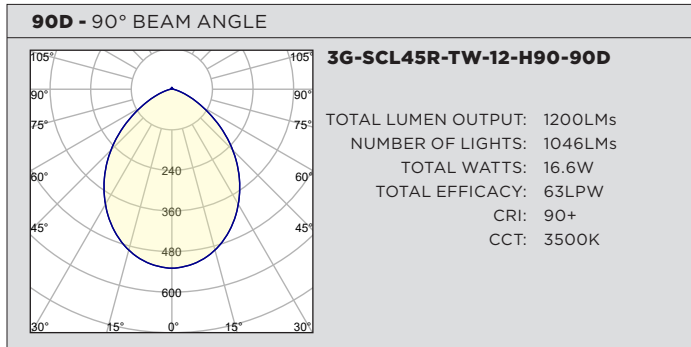
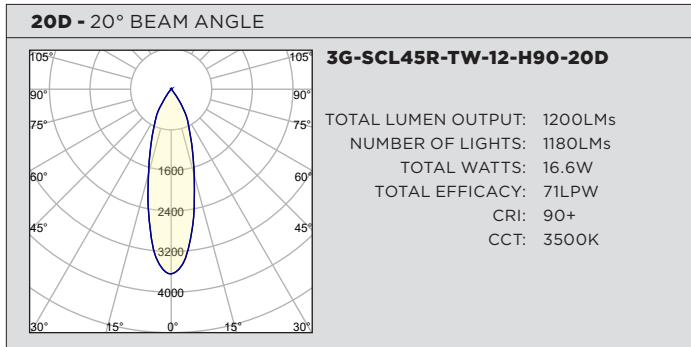
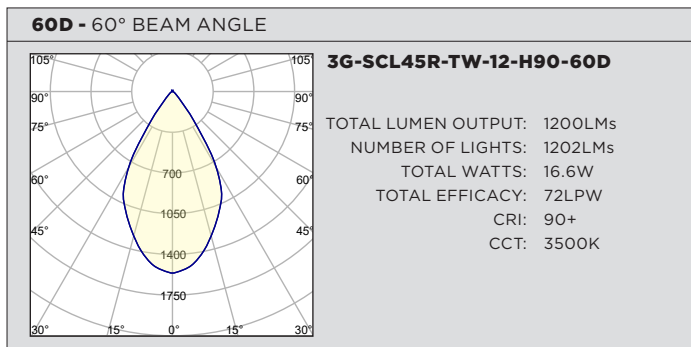
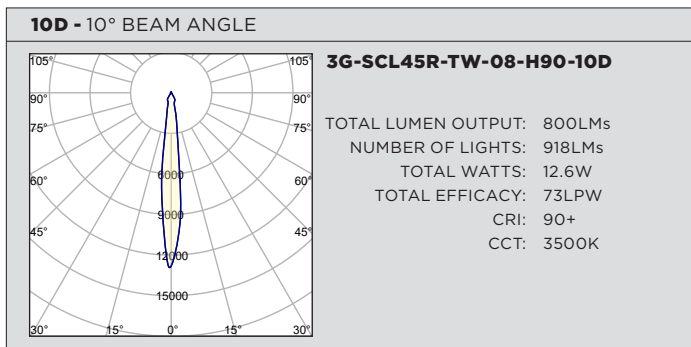
**3G-SCL45R**

LIGHTING 4.5" DIAMETER CYLINDER SURFACE MOUNTED DYNAMIC WHITE

**PERFORMANCE CHART** BASED ON 20° BEAM ANGLE

TUNABLE WHITE LUMEN OUTPUT	90+ CRI (2700K)			90+ CRI (3500K)			90+ CRI (6500K)		
	DELIVERED LUMENS	SYSTEM WATTS	EFFICACY (LPW)	DELIVERED LUMENS	SYSTEM WATTS	EFFICACY (LPW)	DELIVERED LUMENS	SYSTEM WATTS	EFFICACY (LPW)
<b>800LMs</b>	N/A	N/A	N/A	N/A	N/A	N/A	N/A	N/A	N/A
<b>1200LMs</b>	1143	16.6	69	1180	16.6	71	1284	16.6	77
<b>2000LMs</b>	1622	24.5	66	1694	24.5	69	1807	24.5	74

**PHOTOMETRY**





**3G-SCL45R**

LIGHTING 4.5" DIAMETER CYLINDER SURFACE MOUNTED DYNAMIC WHITE

## TECHNICAL

### HOUSING

Extruded aluminum housing with powder coated finish  
Twist and lock construction with no visible hardware

### BEVELED INSERT

4.5" aperture with regressed LED source for enhanced glare control  
Machined aluminum beveled insert with powder coated finish

### OPTICS

Proprietary anodized, aluminum reflectors are field replaceable (10° reflector not interchangeable)  
Available in 10°, 20°, 40°, 60° and 90°

### ELECTRICAL

Standard 0-10V, constant current drivers with 100-1% dimming range and >0.9 power factor  
Standard 120/277V universal voltage drivers. Optional 347V, 0-10V drivers  
120V Forward Phase/Reverse Phase driver option with 100-1% dimming range  
eldoLED 0-10V driver option available with 100-0.01% dimming range  
eldoLED DALI and Lutron EcoSystem driver options available with 100-1% dimming range  
DMX driver option available with 100-0% dimming range  
All drivers are integral and easily accessible through cylinder housing

### LED SYSTEM

Citizen LED module (field replaceable)  
Color consistency <2 SDCM  
Standard 90+ CRI  
Dim to Warm (1800K-3000K)  
Tunable White (2700K-6500K)  
L70 >50,000 hours  
5 Year Warranty

### MOUNTING

All hardware included for mounting to 4" octagonal junction box  
Twist and lock mechanism

### LISTING

ETL listed and tested to cUL standards. Suitable for dry and damp locations

### WARRANTY

5 Year Warranty on LED and drivers  
Manufacturer 1 Year Warranty for defects in material and workmanship under normal use  
Ambient temperature at fixture should not exceed 25°C

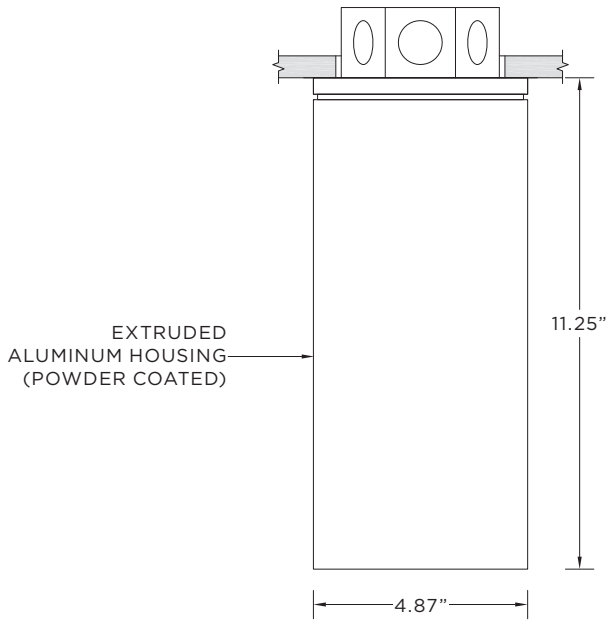


**3G-SCL45R**

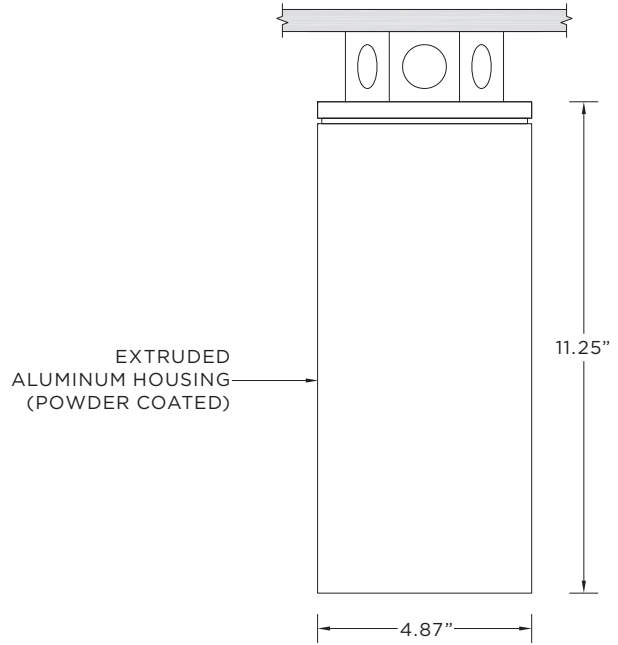
LIGHTING 4.5" DIAMETER CYLINDER SURFACE MOUNTED DYNAMIC WHITE

**DRAWINGS AND DIMENSIONS**

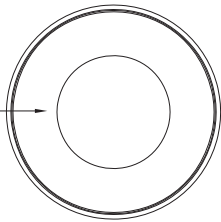
**RECESSED J-BOX  
(4" OCTAGONAL BY OTHERS)**



**SURFACE MOUNTED J-BOX  
(4" OCTAGONAL BY OTHERS)**



BEVELED INSERT (POWDER COATED)



BEVELED INSERT (POWDER COATED)

