

# 3G LIGHTING

## 3G-SCL45R

4.5" DIAMETER CYLINDER  
SURFACE MOUNTED

4.5" diameter high performance cylinder  
Companion to 3G-DL45R series downlight family  
Extruded aluminum housing with powder coated finish  
Twist and lock construction and no visible hardware  
Regressed LED source for enhanced glare control  
Lumen range up to 4000lm (80+, 90+, and 97+ CRI options)  
1% dimming standard with several integral driver options



### ORDERING INFORMATION

<b>PROJECT:</b>	<input type="text"/>	<b>TYPE:</b>	<input type="text"/>
<b>CATALOG #:</b>	<input type="text"/>	<b>DATE:</b>	<input type="text"/>

CAT. NO	LUMEN OUTPUT	CRI	COLOR TEMP	BEAM ANGLE	VOLTAGE
<b>3G-SCL45R</b>	<b>10</b> - 1000 LUMENS	<b>S80</b> - 80+ CRI	<b>27K</b> - 2700K	<b>10D</b> - 10° <sup>2</sup>	<b>UNV</b> - 120/277V
	<b>15</b> - 1500 LUMENS	<b>H90</b> - 90+ CRI	<b>30K</b> - 3000K	<b>20D</b> - 20°	<b>120</b> - 120V
	<b>22</b> - 2200 LUMENS	<b>H97</b> - 97+ CRI <sup>1</sup>	<b>35K</b> - 3500K	<b>40D</b> - 40°	<b>347</b> - 347V (0-10V ONLY)
	<b>30</b> - 3000 LUMENS		<b>40K</b> - 4000K	<b>60D</b> - 60°	
	<b>40</b> - 4000 LUMENS			<b>90D</b> - 90° *	

\* 90D reflector supplied standard with lens

DRIVER	CYLINDER FINISH	OPTIONS
<b>DIM</b> - 0-10V (STANDARD 100-1%) <b>LE</b> - PHASE DIMMING <sup>3</sup> (TRIAC/ELV, 100-1%) <b>LTEA</b> - LUTRON HI-LUME LTEA <sup>3</sup> (FWD PHASE, 100-1%) <b>D01</b> - 0-10V (eldoLED, 100-0.1%) <sup>5</sup> <b>DALI</b> - DALI (eldoLED, 100-1%) <sup>4,5</sup> <b>DHL2</b> - LUTRON HI-LUME LDE1 (1% ECOSYSTEM) <b>DMX</b> - DMX (eldoLED, 100-0%) <sup>5</sup>	<b>WH</b> - WHITE (STANDARD) <b>BK</b> - BLACK <b>SV</b> - SILVER <b>CF</b> - CUSTOM RAL COLOR	<b>HXB70</b> - BLACK HEXCELL LOUVER <b>LS70</b> - LINEAR SPREAD <b>SB70</b> - SANDBLASTED LENS <b>SF70</b> - SOFTENING LENS  Maximum 1 optical accessory

<sup>1</sup> 97+ CRI available up to 3000lm. Available in 30K and 35K as standard

<sup>2</sup> 10D reflector available up to 2200lm

<sup>3</sup> Phase dimming options available in 120V only

<sup>4</sup> DALI-2 (Type 6) provided as standard. Consult factory for DALI Type 8 option

<sup>5</sup> 4000lm option not available with D01, DALI, and DMX driver options

SEPTEMBER 15, 2020



**3G-SCL45R**

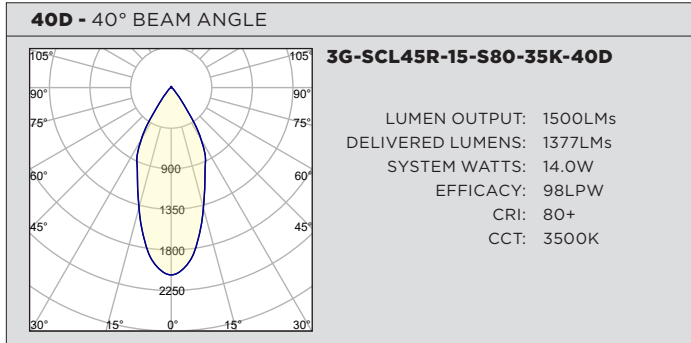
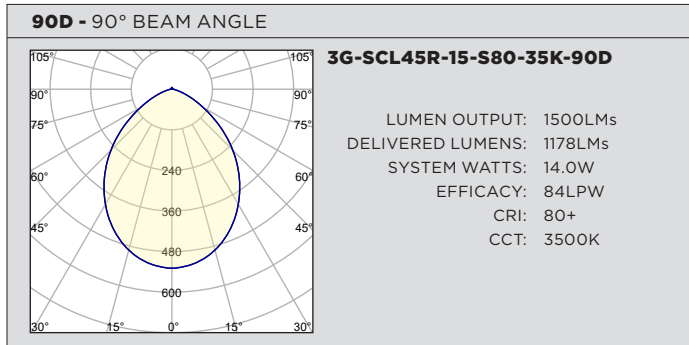
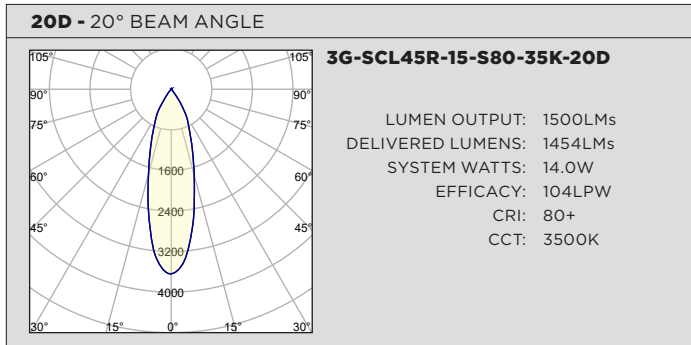
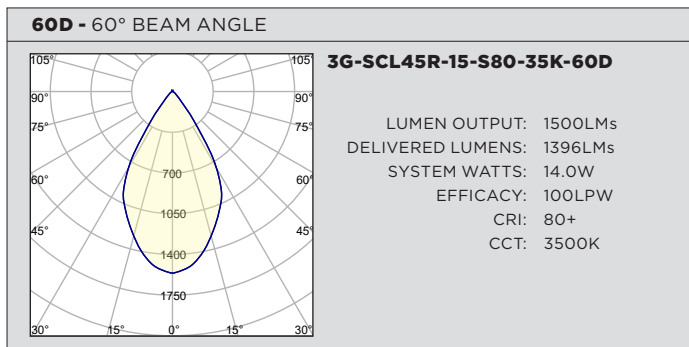
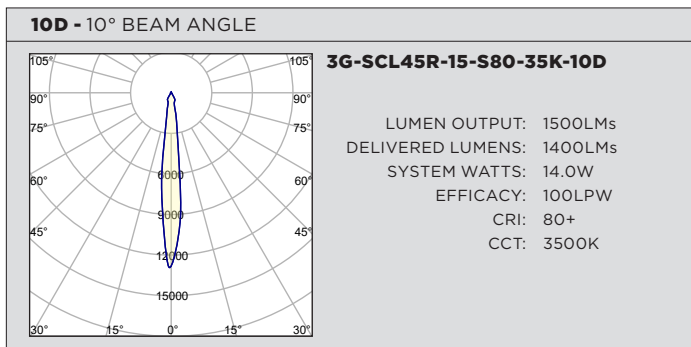
LIGHTING 4.5" DIAMETER CYLINDER SURFACE MOUNTED

**PERFORMANCE CHART** BASED ON 20° BEAM ANGLE AND 3500K SOURCE

LUMEN OUTPUT	80+ CRI			90+ CRI			97+ CRI		
	DELIVERED LUMENS	SYSTEM WATTS	EFFICACY (LPW)	DELIVERED LUMENS	SYSTEM WATTS	EFFICACY (LPW)	DELIVERED LUMENS	SYSTEM WATTS	EFFICACY (LPW)
<b>1000LMs</b>	1080	10.3	105	950	10.3	92	886	10.3	86
<b>1500LMs</b>	1454	14.0	104	1279	14.0	91	1192	14	85
<b>2200LMs</b>	2156	22.0	98	1898	22.0	86	1768	22	80
<b>3000LMs</b>	2634	31.0	85	2318	31.0	75	2160	31	70
<b>4000LMs</b>	3848	43.0	89	3386	43.0	79	N/A	N/A	N/A

LUMEN OUTPUT ADJUSTMENT FACTORS	CCT	Multiplier
	2700K	0.945
	3000K	0.985
	3500K	1.00
	4000K	1.01

**PHOTOMETRY**





**3G-SCL45R**

4.5" DIAMETER CYLINDER SURFACE MOUNTED

## TECHNICAL

### HOUSING

Extruded aluminum housing with powder coated finish  
Twist and lock construction with no visible hardware

### BEVELED INSERT

4.5" aperture with regressed LED source for enhanced glare control  
Machined aluminum beveled insert with powder coated finish

### OPTICS

Proprietary anodized, aluminum reflectors are field replaceable (10° reflector not interchangeable)  
Available in 10°, 20°, 40°, 60° and 90°

### ELECTRICAL

Standard 0-10V, constant current drivers with 100-1% dimming range and >0.9 power factor  
Standard 120/277V universal voltage drivers. Optional 347V, 0-10V drivers  
120V Forward Phase/Reverse Phase driver option with 100-1% dimming range  
eldoLED 0-10V driver option available with 100-0.01% dimming range  
eldoLED DALI and Lutron EcoSystem driver options available with 100-1% dimming range  
DMX driver option available with 100-0% dimming range  
All drivers are integral and easily accessible through cylinder housing

### LED SYSTEM

Citizen LED module (field replaceable)  
Color consistency <2 SDCM  
Standard (80+ CRI). Optional (90+ and 97+ CRI)  
Available in 27K, 30K, 35K, and 40K  
L90 >50,000 hours  
5 Year Warranty

### MOUNTING

All hardware included for mounting to 4" octagonal junction box  
Twist and lock mechanism

### LISTING

ETL listed and tested to cUL standards. Suitable for dry and damp locations

### WARRANTY

5 Year Warranty on LED and drivers  
Manufacturer 1 Year Warranty for defects in material and workmanship under normal use  
Ambient temperature at fixture should not exceed 25°C

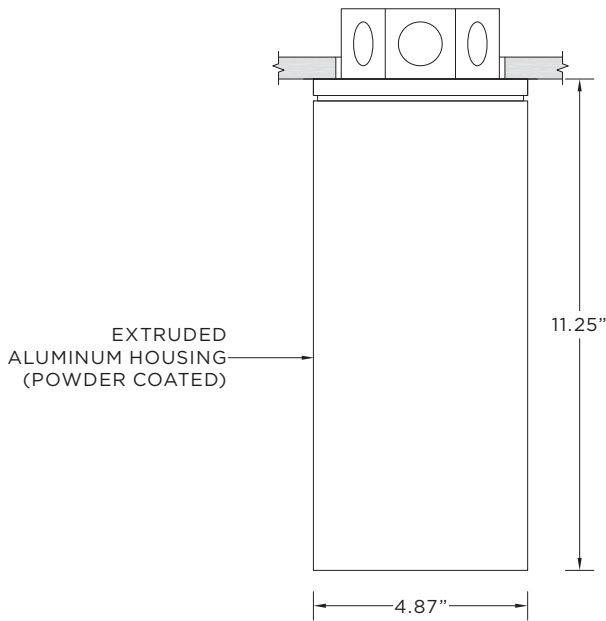
# 3G

## 3G-SCL45R

LIGHTING 4.5" DIAMETER CYLINDER SURFACE MOUNTED

### DRAWINGS AND DIMENSIONS

**RECESSED J-BOX  
(4" OCTAGONAL BY OTHERS)**



**SURFACE MOUNTED J-BOX  
(4" OCTAGONAL BY OTHERS)**

