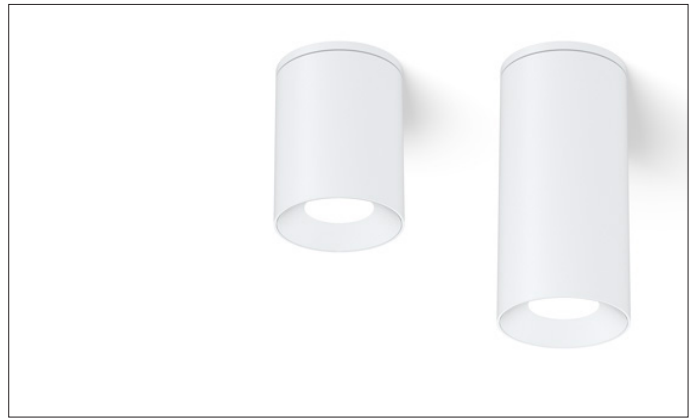


# 3G LIGHTING

## 3G-SDL45RF

4.5" DOWNLIGHT CYLINDER  
7" AND 11" HEIGHT

4.5" diameter high performance cylinders  
Companion to 3G-DL45R series downlight family  
Extruded aluminum housing with powder coated finish  
Twist and lock construction and no visible hardware  
Regressed LED source for enhanced glare control  
Lumen range up to 4000lm (80+, 90+, and 97+ CRI options)  
1% dimming standard with several integral driver options



### ORDERING INFORMATION

|                   |                      |              |                      |
|-------------------|----------------------|--------------|----------------------|
| <b>PROJECT:</b>   | <input type="text"/> | <b>TYPE:</b> | <input type="text"/> |
| <b>CATALOG #:</b> | <input type="text"/> | <b>DATE:</b> | <input type="text"/> |

| CAT. NO  | FIXTURE HEIGHT          | LUMEN OUTPUT                         | CRI                               | COLOR TEMP                                  | BEAM ANGLE                    |
|--|-------------------------|--------------------------------------|-----------------------------------|---|-------------------------------|
| <b>3G-SDL45RF</b>  | <b>7H</b> - 7" HEIGHT*  | <b>10</b> - 1000 LUMENS              | <b>S80</b> - 80+ CRI              | <b>27K</b> - 2700K                          | <b>10D</b> - 10° <sup>2</sup> |
|  | <b>11H</b> - 11" HEIGHT | <b>15</b> - 1500 LUMENS              | <b>H90</b> - 90+ CRI              | <b>30K</b> - 3000K                          | <b>20D</b> - 20°              |
|  |                         | <b>22</b> - 2200 LUMENS              | <b>H97</b> - 97+ CRI <sup>1</sup> | <b>35K</b> - 3500K                          | <b>40D</b> - 40°              |
|  |                         | <b>30</b> - 3000 LUMENS              |                                   | <b>40K</b> - 4000K                          | <b>60D</b> - 60°              |
|  |                         | <b>40</b> - 4000 LUMENS <sup>5</sup> |                                   | <b>90D</b> - 90°*                           |                               |
| *7H available up to 2200lm, available in DIM and LE driver options only. Not available in 347V |                         |                                      |                                   | * 90D reflector supplied standard with lens |                               |

| VOLTAGE  | DRIVER  | CYLINDER FINISH  | INSERT FINISH  |
|--|---|--|--|
| <b>UNV</b> - 120/277V<br><b>120</b> - 120V<br><b>347</b> - 347V (0-10V ONLY) | <b>DIM</b> - 0-10V (STANDARD 100-1%)<br><b>LE</b> - PHASE DIMMING <sup>3</sup> (TRIAC/ELV, 100-1%)<br><b>LTEA</b> - LUTRON HI-LUME LTEA <sup>3</sup> (FWD PHASE, 100-1%)<br><b>DO1</b> - 0-10V (eldoLED, 100-0.1%) <sup>5</sup><br><b>DALI</b> - DALI (eldoLED, 100-1%) <sup>4,5</sup><br><b>DHL2</b> - LUTRON HI-LUME LDE1 (1% ECOSYSTEM)<br><b>DMX</b> - DMX (eldoLED, 100-0%) <sup>5</sup> | <b>WH</b> - WHITE<br><b>BK</b> - BLACK<br><b>SV</b> - SILVER<br><b>CF</b> - CUSTOM RAL COLOR | <b>WI</b> - WHITE<br><b>BI</b> - BLACK<br><b>SI</b> - SILVER<br><b>CI</b> - CUSTOM RAL COLOR |

| OPTIONS   |
|---|
| <b>LS70</b> - LINEAR SPREAD<br><b>SB70</b> - SANDBLASTED LENS<br><b>SF70</b> - SOFTENING LENS<br><br>Maximum 1 optical accessory<br>Not available with 90D reflector option |

<sup>1</sup> 97+ CRI available in 30K and 35K as standard  
<sup>2</sup> 10D reflector available up to 2200lm  
<sup>3</sup> Phase dimming options available in 120V only  
<sup>4</sup> DALI-2 (Type 6) provided as standard. Consult factory for DALI Type 8 option  
<sup>5</sup> 4000lm option not available in 97+ CRI or with DO1, DALI, and DMX driver options

AUGUST 27, 2021

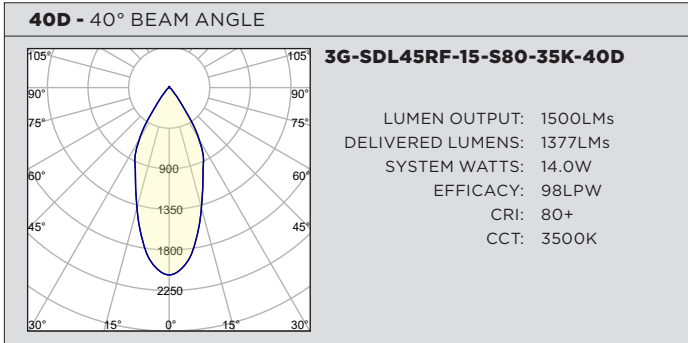
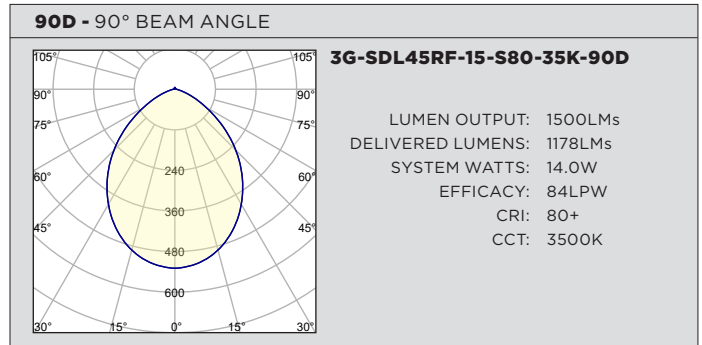
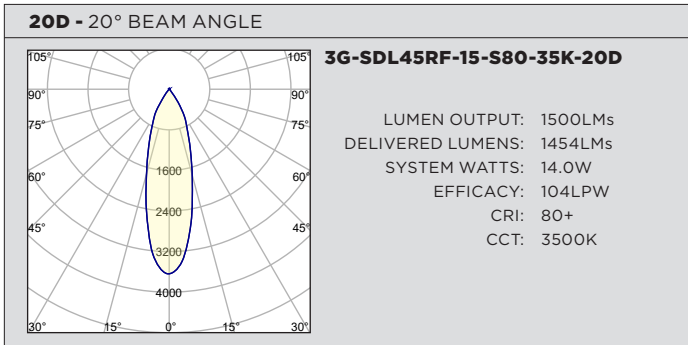
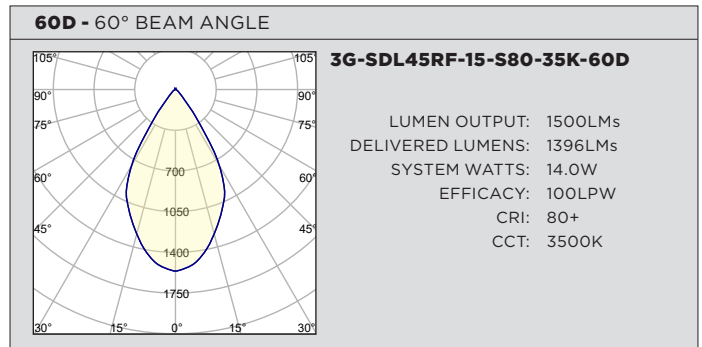
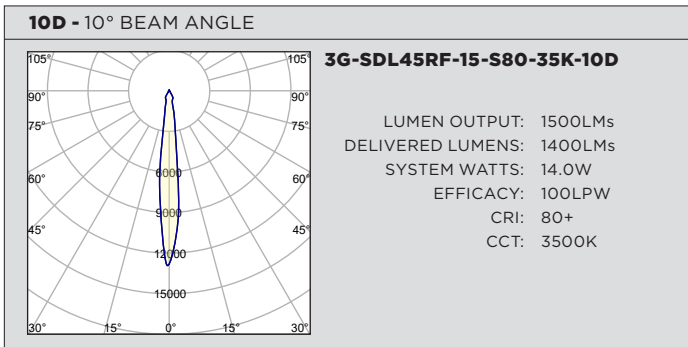


### PERFORMANCE CHART BASED ON 20° BEAM ANGLE AND 3500K SOURCE

| LUMEN OUTPUT   | 80+ CRI          |              |                | 90+ CRI          |              |                | 97+ CRI          |              |                |
|----------------|------------------|--------------|----------------|------------------|--------------|----------------|------------------|--------------|----------------|
|                | DELIVERED LUMENS | SYSTEM WATTS | EFFICACY (LPW) | DELIVERED LUMENS | SYSTEM WATTS | EFFICACY (LPW) | DELIVERED LUMENS | SYSTEM WATTS | EFFICACY (LPW) |
| <b>1000LMs</b> | 1080             | 10.3         | 105            | 950              | 10.3         | 92             | 886              | 10.3         | 86             |
| <b>1500LMs</b> | 1454             | 14.0         | 104            | 1279             | 14.0         | 91             | 1192             | 14           | 85             |
| <b>2200LMs</b> | 2156             | 22.0         | 98             | 1898             | 22.0         | 86             | 1768             | 22           | 80             |
| <b>3000LMs</b> | 2634             | 31.0         | 85             | 2318             | 31.0         | 75             | 2160             | 31           | 70             |
| <b>4000LMs</b> | 3848             | 43.0         | 89             | 3386             | 43.0         | 79             | N/A              | N/A          | N/A            |

| LUMEN OUTPUT ADJUSTMENT FACTORS | CCT   | Multiplier |
|---------------------------------|-------|------------|
|                                 | 2700K | 0.945      |
|                                 | 3000K | 0.985      |
|                                 | 3500K | 1.00       |
| 4000K                           | 1.01  |            |

### PHOTOMETRY



**TECHNICAL****HOUSING**

Extruded aluminum housing with powder coated finish  
Twist and lock construction with no visible hardware

**BEVELED INSERT**

4.5" aperture with regressed LED source for enhanced glare control  
Cast aluminum insert with matte powder coated finish

**OPTICS**

Proprietary anodized, aluminum reflectors are field replaceable (10° reflector not interchangeable)  
Available in 10°, 20°, 40°, 60° and 90°

**ELECTRICAL**

Standard 0-10V, constant current drivers with 100-1% dimming range and >0.9 power factor  
Standard 120/277V universal voltage drivers. Optional 347V, 0-10V drivers  
120V Forward Phase/Reverse Phase driver option with 100-1% dimming range  
eldoLED 0-10V driver option available with 100-0.01% dimming range  
eldoLED DALI and Lutron EcoSystem driver options available with 100-1% dimming range  
DMX driver option available with 100-0% dimming range  
All drivers are integral and easily accessible through cylinder housing

**LED SYSTEM**

Citizen LED module (field replaceable)  
Color consistency <2 SDCM  
Standard (80+ CRI). Optional (90+ and 97+ CRI)  
Available in 27K, 30K, 35K, and 40K  
L90 >50,000 hours  
5 Year Warranty

**MOUNTING**

All hardware included for mounting to 4" octagonal junction box  
Twist and lock mechanism

**LISTING**

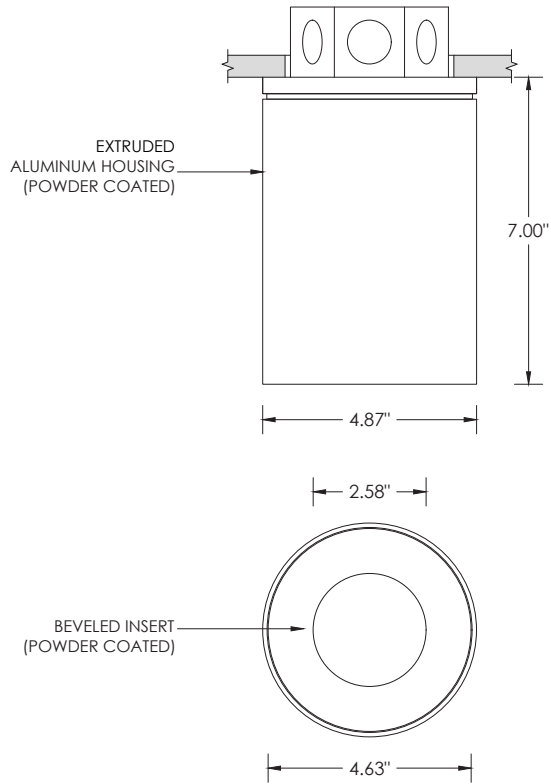
ETL listed and tested to cUL standards. Suitable for dry and damp locations

**WARRANTY**

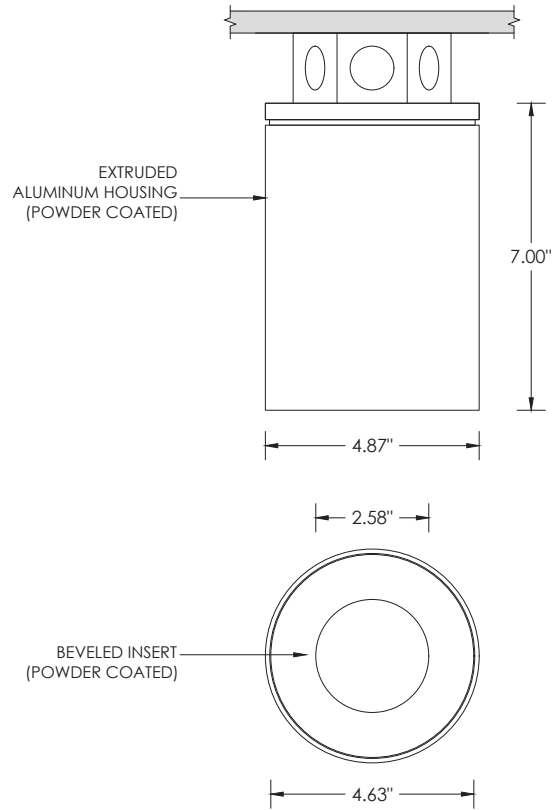
5 Year Warranty on LED and drivers  
Manufacturer 1 Year Warranty for defects in material and workmanship under normal use  
Ambient temperature at fixture should not exceed 25°C

**DRAWINGS AND DIMENSIONS 7" HEIGHT**

**RECESSED J-BOX  
(4" OCTAGONAL BY OTHERS)**

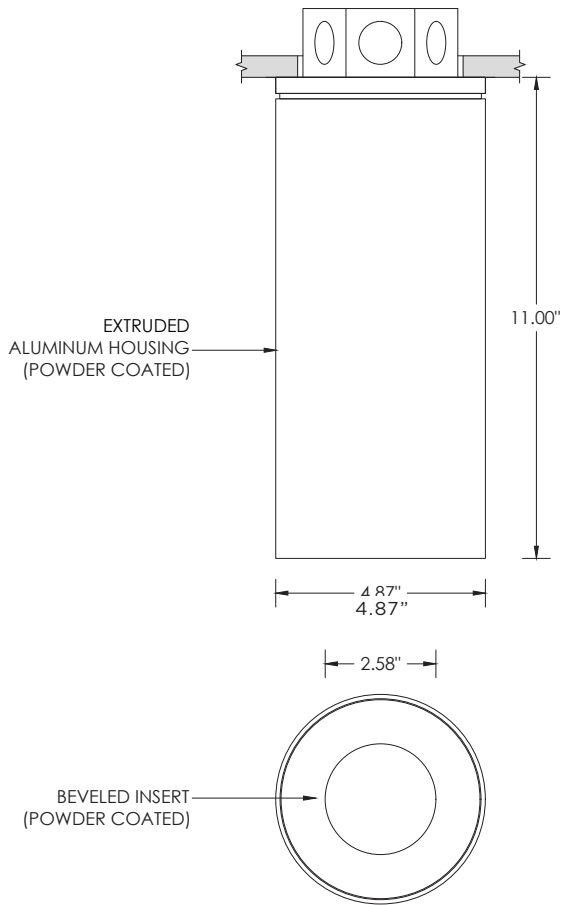


**SURFACE MOUNTED J-BOX  
(4" OCTAGONAL BY OTHERS)**



**DRAWINGS AND DIMENSIONS 11" HEIGHT**

**RECESSED J-BOX  
(4" OCTAGONAL BY OTHERS)**



**SURFACE MOUNTED J-BOX  
(4" OCTAGONAL BY OTHERS)**

