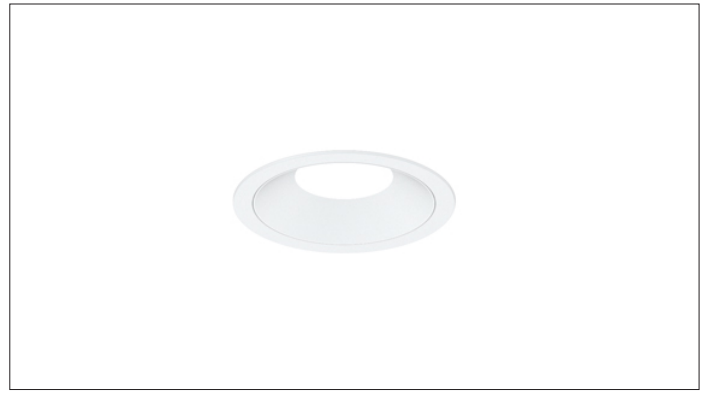




3G-DL33RA

3.3" ROUND ADJUSTABLE
DOWNLIGHT

Small 3.3" round, adjustable high performance downlight
 Proprietary hot aiming mechanism with sliding center beam optimization
 0° - 40° lockable tilt and 362° lockable rotation
 Regressed LED source for enhanced glare control
 Lumen range up to 4000lm (80+, 90+, and 97+ CRI options)
 Shallow housing available along with remodel and other housing options
 1% dimming standard with several integral driver options
 Energy Star max lumen output is 1500lm



ORDERING INFORMATION

PROJECT:	<input type="text"/>	TYPE:	<input type="text"/>
CATALOG #:	<input type="text"/>	DATE:	<input type="text"/>

CAT. NO	LUMEN OUTPUT	CRI	COLOR TEMP	BEAM ANGLE	VOLTAGE
3G-DL33RA	10 - 1000 LUMENS	S80 - 80+ CRI	27K - 2700K	20D - 20° ²	UNV - 120/277V
	15 - 1500 LUMENS*	H90 - 90+ CRI	30K - 3000K	40D - 40°	120 - 120V
	22 - 2200 LUMENS	H97 - 97+ CRI ¹	35K - 3500K	60D - 60°	347 - 347V (0-10V ONLY)
	30 - 3000 LUMENS		40K - 4000K		
	40 - 4000 LUMENS				
	* Energy Star max lumen output is 1500lm.				

DRIVER	FLANGE TYPE	BEVELED INSERT	HOUSING TYPE
DIM - 0-10V (STANDARD 100-1%)	WT - WHITE TRIM	WI - WHITE	RMD - REMODEL (NON-IC)
LE - PHASE DIMMING ³ (TRIAC/ELV, 100-1%)	BT - BLACK TRIM	SI - SILVER	NCF - NEW CONSTRUCTION FRAME (NON-IC)
D01 - 0-10V (eldoLED, 100-0.1%) ⁴	ST - SILVER TRIM	BI - BLACK	SH - SHALLOW HOUSING ⁶ (IC RATED & CP RATED)
DALI - DALI (100-1%) ⁴	XTR - TRIMLESS		NC - NEW CONSTRUCTION HOUSING (CP RATED)
DHL2 - LUTRON HI-LUME LDE1 (1% ECOSYSTEM)	MWF - FLANGELESS (MILLWORK) ⁵		IC - NEW CONSTRUCTION IC HOUSING ⁶
DMX - DMX (eldoLED, 100-0%) ⁴			

OPTIONS
SF60 - SOFTENING LENS (SUPPLIED STANDARD)
LS60 - LINEAR SPREAD LENS
SB60 - SANDBLASTED LENS
CP - CHICAGO PLENUM ⁷
BH - C-CHANNEL BAR HANGERS
EMR - EMERGENCY BATTERY (REMOTE) ⁸
Maximum 1 optical accessory

¹ 97+ CRI available up to 3000lm. Available in 30K and 35K as standard
² 20D reflector available up to 2200lm
³ Phase dimming options available in 120V only
⁴ D01, DALI and DMX available up to 2200lm. DALI-2 (Type 6) provided as standard, Consult factory for DALI Type 8 option
⁵ MWF not available with Remodel (NON-IC)
⁶ IC rated Shallow Housing available up to 1500lm. New Construction IC housing available up to 2200lm
⁷ Chicago Plenum option available with Shallow Housing (1500lm max) and New Construction Housing
⁸ Emergency battery installed remotely by others. Not accessible through the inside of the fixture



MAY 11, 2023



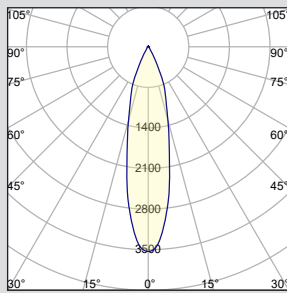
PERFORMANCE CHART BASED ON 60° BEAM AND 3500K SOURCE WITH SOFTENING LENS

LUMEN OUTPUT	80+ CRI			90+ CRI			97+ CRI		
	DELIVERED LUMENS	SYSTEM WATTS	EFFICACY (LPW)	DELIVERED LUMENS	SYSTEM WATTS	EFFICACY (LPW)	DELIVERED LUMENS	SYSTEM WATTS	EFFICACY (LPW)
1000LMs	874	10.3	85	769	10.3	75	717	10.3	70
1500LMs	1200	14.3	84	1056	14.3	74	984	14.3	69
2200LMs	1780	22.5	79	1566	22.5	70	1460	22.5	65
3000LMs	2183	31.2	70	1921	31.2	62	1790	31.2	57
4000LMs	2849	43.5	66	2508	43.5	58	N/A	N/A	N/A

LUMEN OUTPUT ADJUSTMENT FACTORS	CCT	Multiplier
	2700K	0.945
	3000K	0.985
	3500K	1.00
	4000K	1.01

PHOTOMETRY

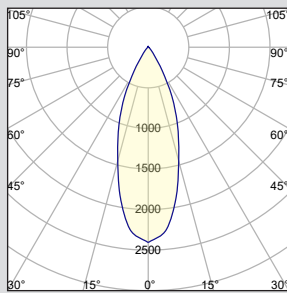
20D - 20° BEAM ANGLE



3G-DL33RA-15-S80-35K-20D

LUMEN OUTPUT: 1500LM
 DELIVERED LUMENS: 1012LMS
 SYSTEM WATTS: 14.3W
 EFFICACY: 71LPW
 CRI: 80+
 CCT: 3500K

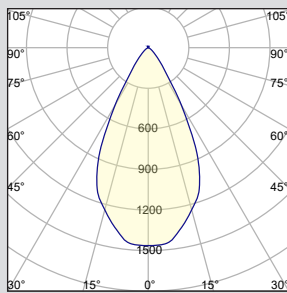
40D - 40° BEAM ANGLE



3G-DL33RA-15-S80-35K-40D

LUMEN OUTPUT: 1500LM
 DELIVERED LUMENS: 1189LMS
 SYSTEM WATTS: 14.3W
 EFFICACY: 83LPW
 CRI: 80+
 CCT: 3500K

60D - 60° BEAM ANGLE



3G-DL33RA-15-S80-35K-60D

LUMEN OUTPUT: 1500LM
 DELIVERED LUMENS: 1200LMS
 SYSTEM WATTS: 14.3W
 EFFICACY: 84LPW
 CRI: 80+
 CCT: 3500K

TECHNICAL**HOUSING**

Remodel, new construction frame, shallow housing, and IC housing options available
Maximum ceiling thickness of 1" (1.5" for Millwork Flangeless and Remodel options). Consult factory for modifications
All housing options designed to be easily converted in field to trim or trimless with minimal components
Housing rated for #12 AWG (4 in, 4 out), 90°C conductors and through branch wiring

BEVELED INSERT

Cast aluminum beveled insert with matte powder coated finish
3.3" aperture with regressed LED source for enhanced glare control

TRIM

Machined aluminum trim flange with matte powder coated finish and minimal 0.375" overlap

TRIMLESS

Mudding flange features a perforated surface for easy mud-in application
Integral blocking support provided to ensure fixture is properly secured within ceiling structure

OPTICS

Regressed LED source for enhanced glare control
Proprietary anodized, aluminum reflectors are field replaceable (20° reflector not interchangeable)
Available in 20°, 40°, 60°
All models provided standard with softening lens

ELECTRICAL

Standard 0-10V, constant current drivers with 100-1% dimming range and >0.9 power factor
Standard 120/277V universal voltage drivers. Optional 347V, 0-10V drivers
120V Forward Phase/Reverse Phase driver option with 100-1% dimming range
eldoLED 0-10V driver option available with 100-0.01% dimming range
eldoLED DALI and Lutron EcoSystem driver options available with 100-1% dimming range
DMX driver option available with 100-0% dimming range
All drivers are integral and easily accessible through fixture aperture

LED SYSTEM

Citizen LED module (field replaceable)
Color consistency <2 SDCM
Standard (80+ CRI). Optional (90+ and 97+ CRI)
Available in 27K, 30K, 35K, and 40K
L90 >50,000 hours
5 Year Warranty

MOUNTING

Trim fixture designed for use in drywall, wood, acoustic, and other architectural ceilings
Trimless fixture designed for use in drywall, mud-in ceiling applications
Recommended ceiling cut-out for Millwork Flangeless option (3.525" diameter for ceilings up to 1"). Contact 3G for thicker ceilings
Recommended ceiling cut-out for all other housing options (3 13/16" diameter)
New construction frame and IC rated shallow housings ship with bar hangers (14" to 26" extension)
Standard new construction and IC housings available with optional c-channel bar hangers

LISTING

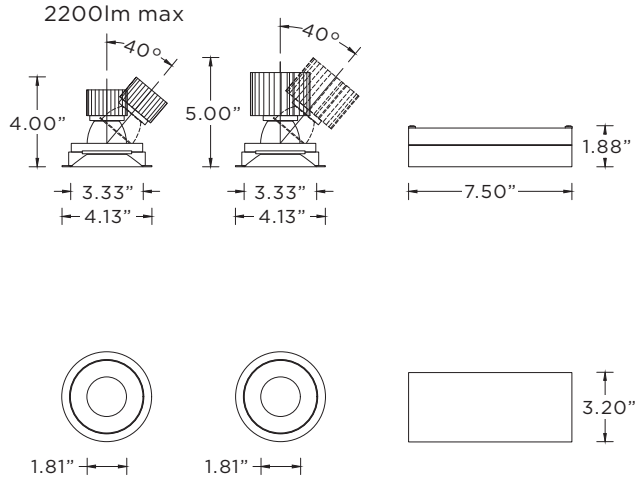
ETL listed and conforms to UL1598 standard. Certified to CSA22.2 NO.250.0. Rated for indoor dry or damp locations

WARRANTY

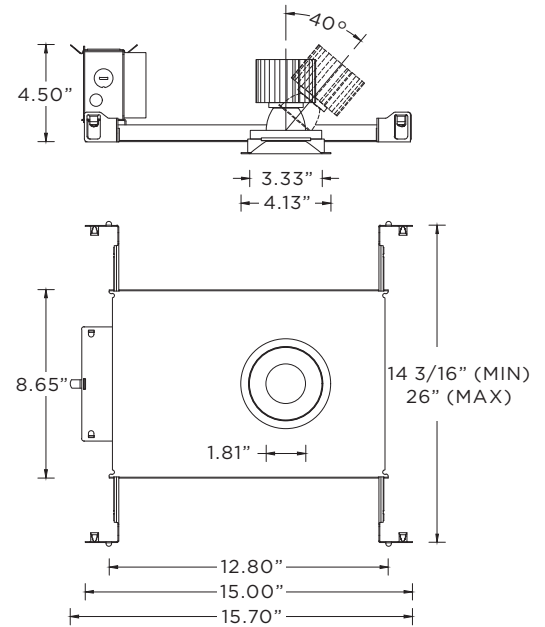
5 Year Warranty on LED and drivers
Manufacturer 1 Year Warranty for defects in material and workmanship under normal use
Ambient temperature at fixture should not exceed 25°C

TRIM HOUSING OPTIONS

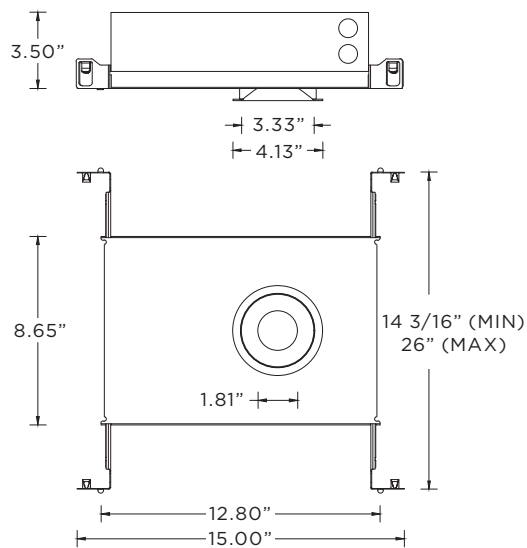
RMD - Remodel (Non-IC)



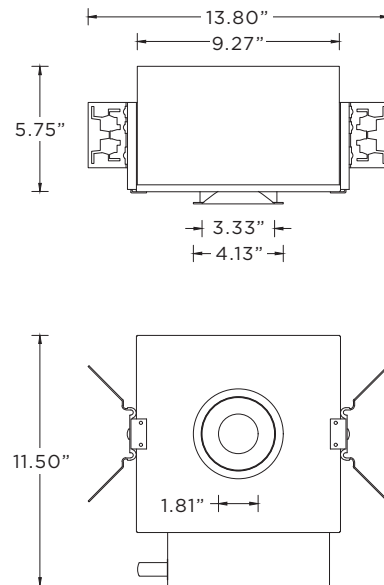
NCF - New Construction Frame (Non-IC)



SH - Shallow Housing (IC and Chicago Plenum Rated) (1500lm max)

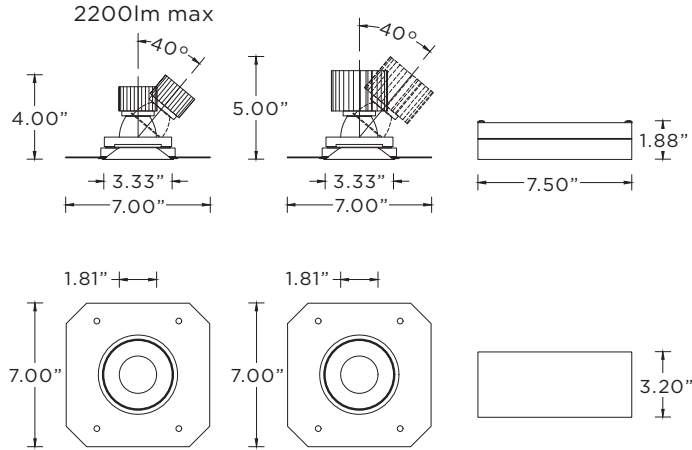


**NC - New Construction Housing (Non-IC and CP rated)
IC - New Construction IC Housing (2200lm max)**

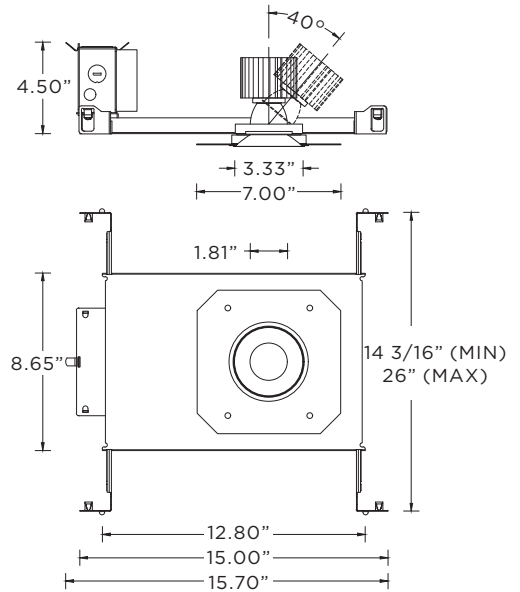


TRIMLESS HOUSING OPTIONS

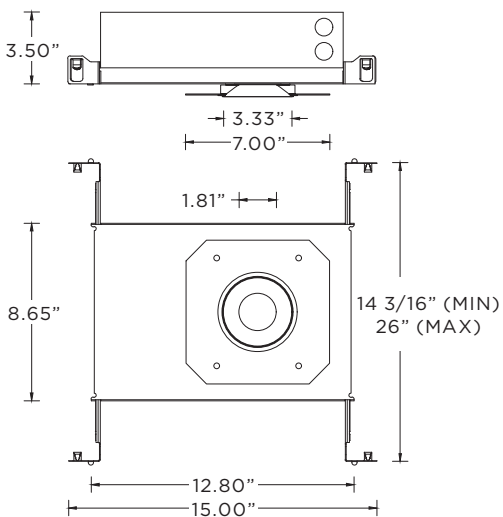
RMD - Remodel (Non-IC)



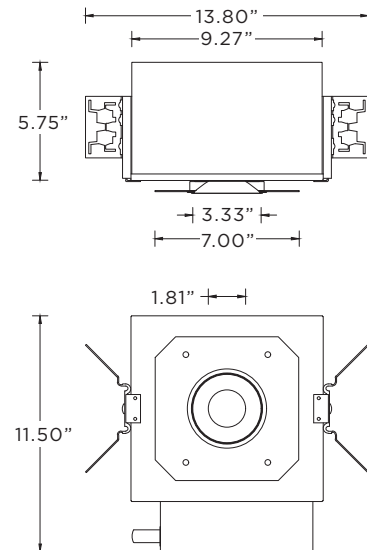
NCF - New Construction Frame (Non-IC)



SH - Shallow Housing (IC and Chicago Plenum Rated) (1500lm max)

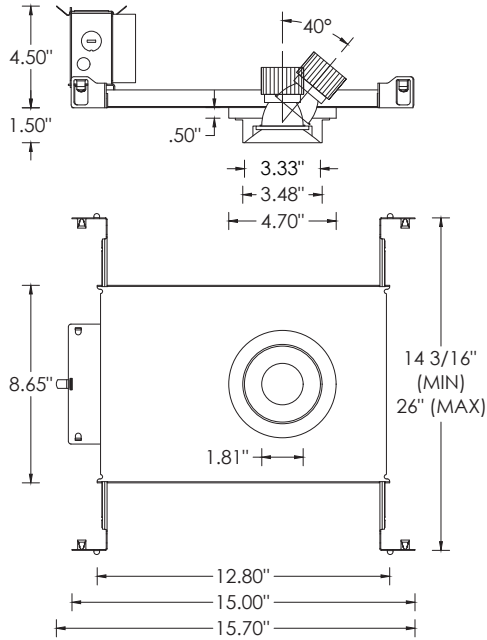


**NC - New Construction Housing (Non-IC and CP rated)
IC - New Construction IC Housing (2200lm max)**

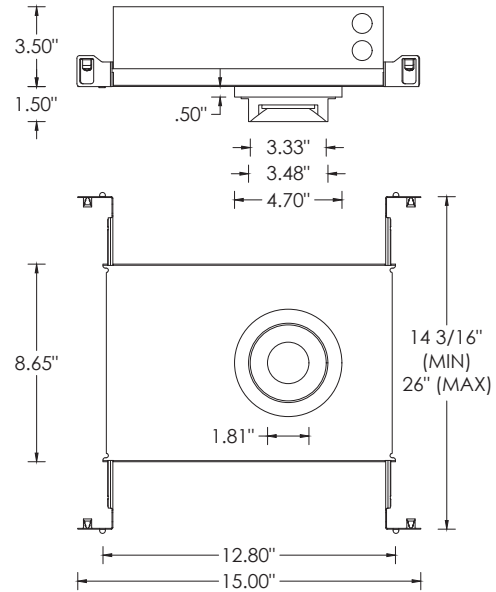


FLANGELESS MILLWORK OPTIONS

NCF - New Construction Frame (Non-IC)



SH - Shallow Housing (IC and Chicago Plenum Rated) (1500lm max)



NC - New Construction Housing (Non-IC and CP rated)
IC - New Construction IC Housing (2200lm max)

