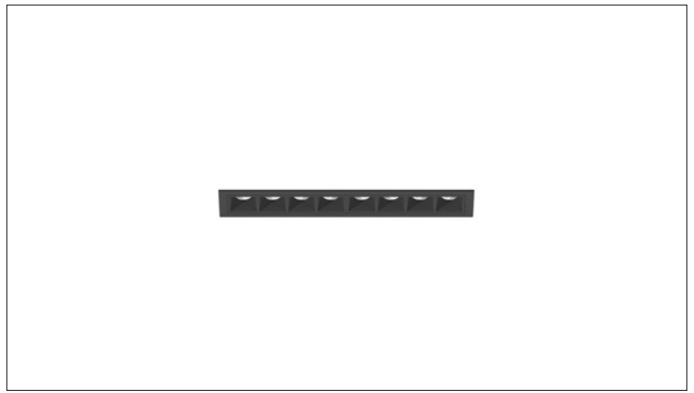




3G-RMZ8

8 LIGHT MINI ZOIE
TRIM & TRIMLESS



8 Light high performance mini downlight with 1.14" apertures
Features matte black or matte white multi-faceted louvers
Regressed LED source with enhanced glare control, UGR <16
Shallow housing standard along with remodel housing option
Standard integral drivers and remote driver options with 1% dimming

ORDERING INFORMATION

PROJECT:	<input type="text"/>	TYPE:	<input type="text"/>
CATALOG #:	<input type="text"/>	DATE:	<input type="text"/>

CAT. NO	LUMEN OUTPUT	CRI	COLOR TEMP	BEAM ANGLE	VOLTAGE
3G-RMZ8	08 - 800 LUMENS	H95 - 90+CRI	27K - 2700K	33D - 33°	UNV - 120/277V
	16 - 1600 LUMENS		30K - 3000K	50D - 50°	120 - 120V
			35K - 3500K		347 - 347V
	Lumen output based on 35K. See performance chart for additional info				

DRIVER	FLANGE TYPE	LOUVER FINISH	HOUSING TYPE
DIM - 0-10V (100-1%) LE - PHASE DIMMING ¹ (TRIAC/ELV, 100-1%) DHL2 - LUTRON HI-LUME (1% ECOSYSTEM) DALI - DALI (100-1%) ² DO1 - 0-10V (100-0.1%) RDIM - REMOTE 0-10V (100-1%) RLTEA - REMOTE LUTRON FWD PHASE ¹ (2-WIRE, 100-1%) RDHL2 - REMOTE LUTRON HI-LUME PREMIER (1% ECOSYSTEM) RDALI - REMOTE DALI (100-0.1%) ² RD01 - REMOTE 0-10V (100-0.1%)	WT - WHITE TRIM BT - BLACK TRIM XTR - TRIMLESS	BLV - BLACK WLW - WHITE	SH - SHALLOW HOUSING (INTEGRAL DRIVER) SHRM - SHALLOW HOUSING & REMOTE DRIVER OPTION RMD - REMODEL FIXTURE WITH ENCLOSURE (INTEGRAL DRIVER) RMDRM - REMODEL FIXTURE & REMOTE DRIVER OPTION
			Shallow Housing is IC Rated

OPTIONS
CP - CHICAGO PLENUM

¹ Forward Phase/Reverse Phase driver available in 120V only
² DALI-2 (Type 6) provided as standard. Please consult factory for DALI (Type 8) options

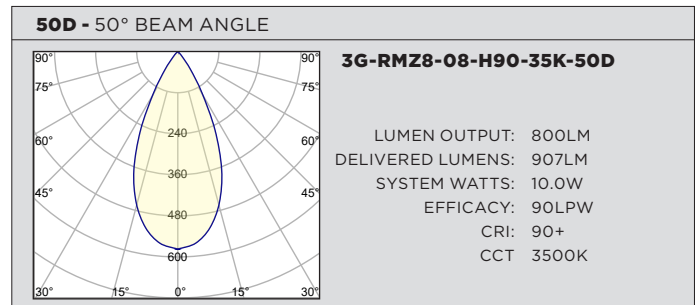
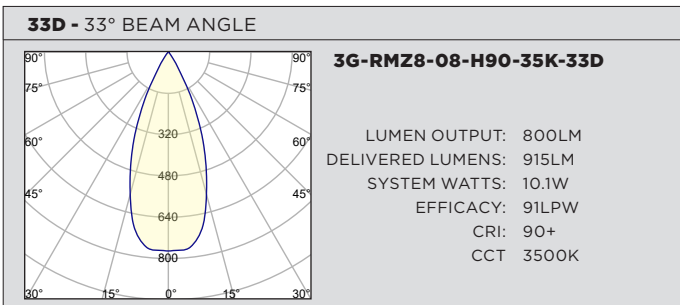
SEPTEMBER 13, 2022



PERFORMANCE CHART BASED ON 33° 90+CRI AND 3500K SOURCE

LUMEN OUTPUT	COLOR TEMP	TOTAL DELIVERED LUMENS	SYSTEM WATTS	EFFICACY (LPW)
800 LUMENS	27K	779	10.1	77
	30K	896	10.1	89
	35K	915	10.1	91
1600 LUMENS	27K	1390	19.2	72
	30K	1586	19.2	83
	35K	1612	19.2	84

PHOTOMETRY BASED ON 90+CRI AND 3500K SOURCE

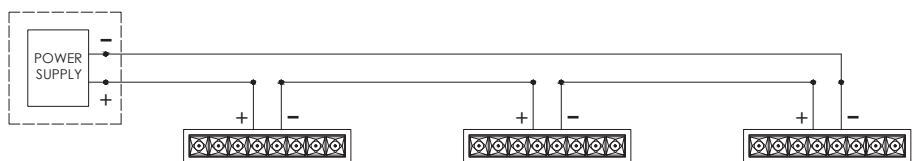
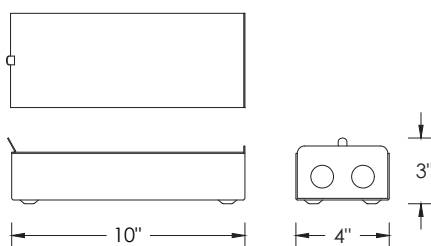


REMOTE POWER SUPPLY OPTIONS

3G DRIVER CODE	DIMMING METHOD	DIMMING RANGE	VOLTAGE	MAX. DISTANCE	3G-RMZ1 (2.4W)	3G-RMZ2 (4.8W)	3G-RMZ4 (9.6W)	3G-RMZ8 (19.2W)	3G-RMZ12 (28.5W)
RDIM	0-10V	100-1%	120-277V	100ft (12 AWG)	4 to 16	2 to 8	1 to 4	1 to 2	1
RD347	0-10V	100-1%	347V	100ft (12 AWG)	3 to 16	2 to 8	1 to 4	1 to 2	1
RDHLP	LUTRON HI-LUME PREMIER ECOSYSTEM	100-0.1%	120-277V	100ft (12 AWG)	5 to 16	3 to 8	2 to 4	1 to 2	1
RDALI	DALI ELDOLED	100-1%	120-277V	100ft (12 AWG)	1 to 16	1 to 8	1 to 4	1 to 2	1
RLTEA	FORWARD PHASE	100-1%	120V	100ft (12 AWG)	5 to 12	3 to 6	2 to 3	1	1
RD01	0-10V ELDOLED	100-0.1%	120-277V	100ft (12 AWG)	1 to 16	1 to 8	1 to 4	1 to 2	1

REMOTE POWER SUPPLY ENCLOSURE

WIRING DIAGRAM



Multiple Zoie fixtures must be connected in series

TECHNICAL**HOUSING**

IC rated shallow housing, and Chicago Plenum housing options available
Remodel housing available (Remote Driver required for Lutron EcoSystem and eldoLED DALI)
Maximum ceiling thickness of 1". Consult factory for modifications
Housings are rated for #12 AWG, (4 in, 4 out), 90°C conductors and through branch wiring

FACETED LOUVER

1.14" aperture with regressed LED source for enhanced glare control
Matte black or matte white faceted louver finish

TRIM

Cast aluminum trim flange with powder coated finish and minimal 0.300" overlap

TRIMLESS

Mudding flange features a perforated surface for easy mud-in application

OPTICS

Proprietary polycarbonate multi-faceted reflectors
Available in 33° and 50°. UGR <16

ELECTRICAL

Standard 0-10V, 100-1% dimming with integral driver
120V Forward Phase/Reverse Phase Driver option with 100-1% dimming
Remote Lutron EcoSystem and eldoLED DALI options (100-1% dimming)
All integral driver options easily accessible through the aperture

LED SYSTEM

Osram LED source
Color consistency <2 SDCM
Standard 90+CRI
Available in 27K, 30K, and 35K
L90 >60,000 hours
5 Year Warranty

MOUNTING

Trim fixture designed for use in drywall, wood, acoustic ceiling tiles, and other ceiling materials
Trimless fixture designed for use in drywall, mud-in ceiling applications
Recommended ceiling cut-out for remodel fixture: 1.500" x 8.740"
Adjustable bar hangers extend from 14" to 26"

LISTING

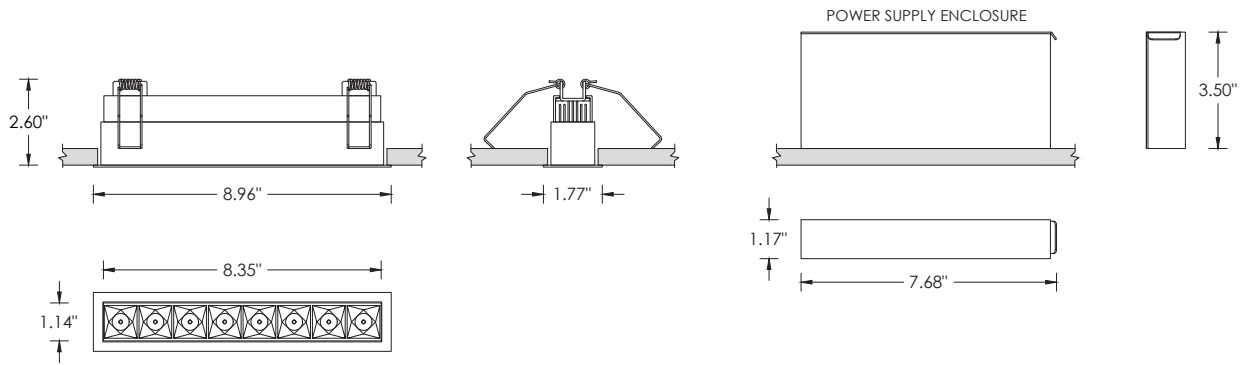
ETL listed and tested to cUL standards. Suitable for dry and damp for indoor use only

WARRANTY

5 Year Warranty on LED and drivers
Manufacturer 1 Year Warranty for defects in material and workmanship under normal use
Ambient temperature at fixture should not exceed 25°C

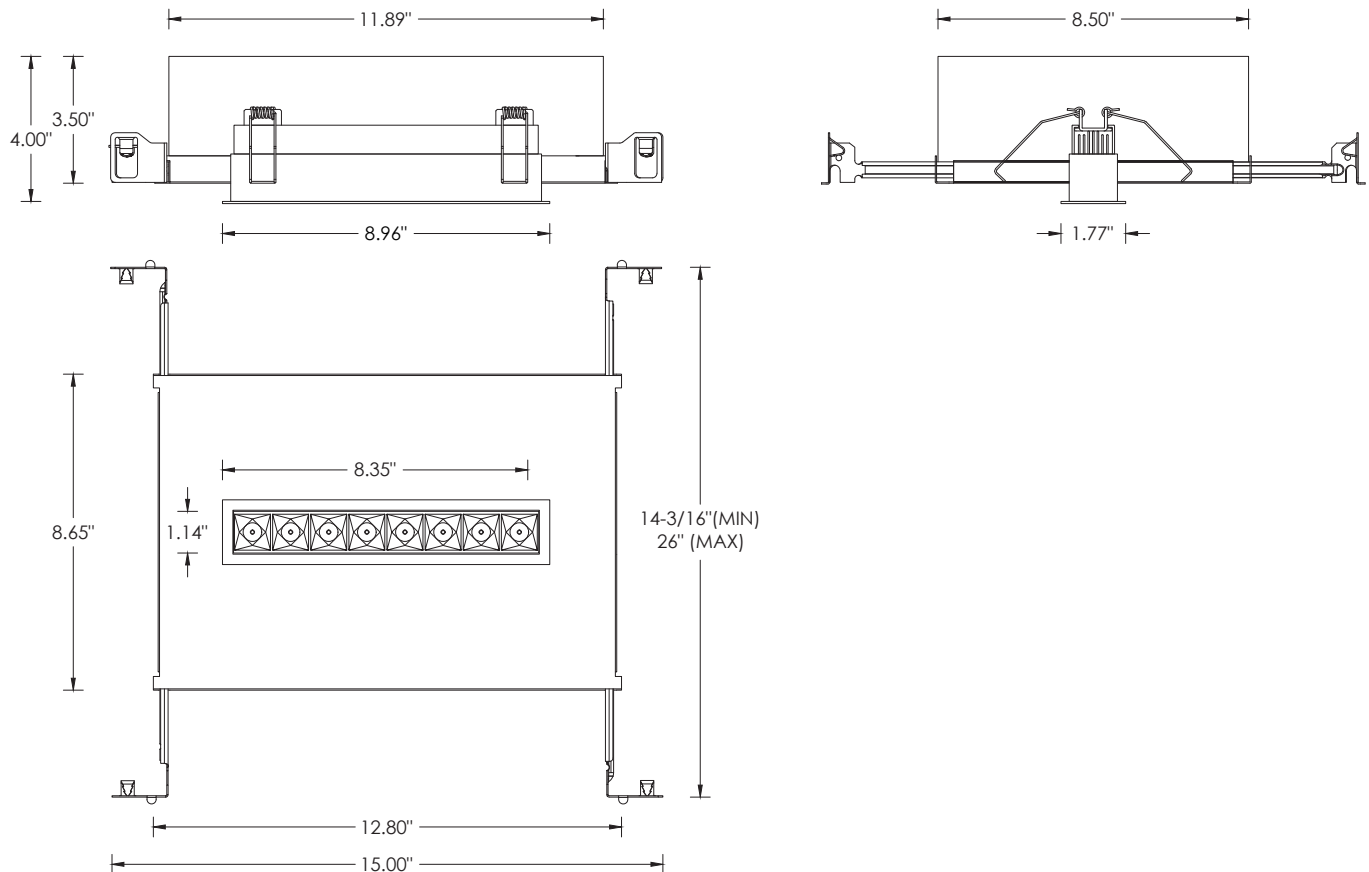
TRIM HOUSING OPTIONS

RMD - Remodel Fixture (Non-IC) with Enclosure (Integral Driver)



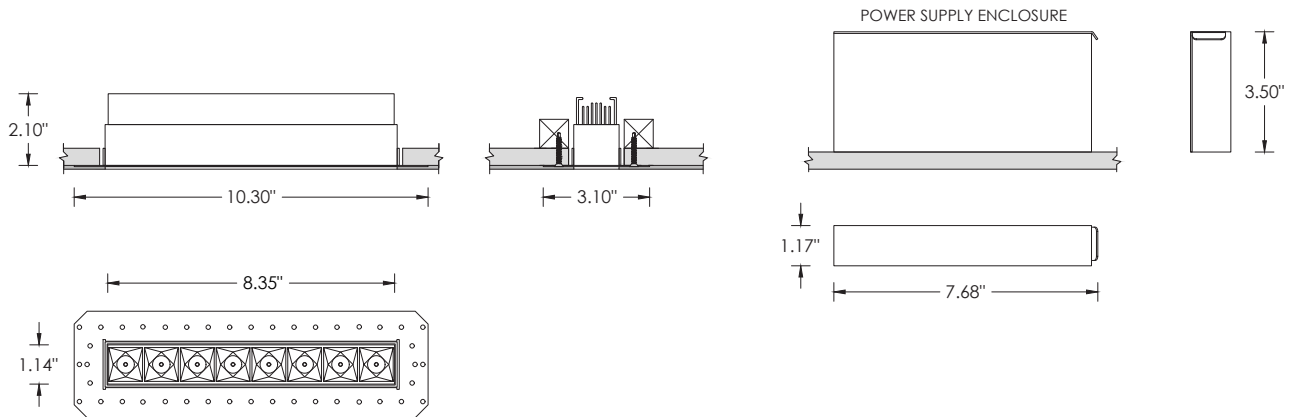
Recommended ceiling cut-out: 1.500" x 8.740"

SH - Shallow Housing (Integral Driver) (IC Rated and Chicago Plenum rated)



TRIMLESS HOUSING OPTIONS

RMD - Remodel Fixture (Non-IC) with Enclosure (Integral Driver)



Recommended ceiling cut-out: 1.500" x 8.740"

SH - Shallow Housing (Integral Driver) (IC Rated and Chicago Plenum rated)

