



3G-DL40SWW

4.0" SQUARE WALL WASH
DOWNLIGHT



4.0" Square, wall wash downlight with upgraded performance
 Delivered lumen range up to 2250lm at 95+ CRI
 Regressed LED source for enhanced glare control
 Proprietary wall wash optic and lens
 Title 24 JA8 certified with maximum 1500lm output
 Companion to 3G's Cylinder product family



PROJECT:		TYPE:	
CATALOG#:		DATE:	QTY:

CAT. NO	LUMEN OUTPUT	CRI	COLOR TEMP	BEAM ANGLE	VOLTAGE
3G-DL40SWW	10 - 1000 LUMENS 15 - 1500 LUMENS 20 - 2000 LUMENS 22 - 2250 LUMENS <small>All lumen outputs are delivered lumens at 95+ CRI</small>	H95 - 95+ CRI	27K - 2700K 30K - 3000K 35K - 3500K 40K - 4000K	WW - WALL WASH	UNV - 120/277V 120 - 120V 347 - 347V ¹

DRIVER	FLANGE TYPE	BEVELED INSERT	HOUSING TYPE
DIM - 0-10V (100-1%) LE - PHASE DIM ² <small>(TRIAC/ELV, 100-1%)</small> DO1 - 0-10V (100-0.1%) DALI - DALI (100-1%) ³ DMX - DMX (100-0%) ⁴ DHL2 - LUTRON HI-LUME LDE1 <small>(1% ECOSYSTEM)</small>	WT - WHITE TRIM BT - BLACK TRIM ST - SILVER TRIM XTR - TRIMLESS (MUD-IN DRYWALL) MWF - FLANGELESS (MILLWORK) ⁵	WI - WHITE BI - BLACK SI - SILVER	RMD - REMODEL (NON-IC) NCF - NEW CONSTRUCTION FRAME (NON-IC) NC - NEW CONSTRUCTION HOUSING (CP RATED) IC - NEW CONSTRUCTION IC HOUSING ⁶ <small>NCF and SH housings ship nailer type bar hangers NC and IC housings available with optional C-channel bar hangers</small>

OPTIONS
CP - CHICAGO PLENUM ⁷ BH - C-CHANNEL BAR HANGERS (FOR NC AND IC HOUSINGS ONLY) EMR - REMOTE EMERGENCY BATTERY ⁸ EMB - INTEGRAL EMERGENCY BATTERY (ABOVE CEILING ACCESS REQUIRED) ⁹ <small>Maximum 1 optical accessory</small>

****** 3G has upgraded our LED system and overall performance at no additional cost. We now offer 95+CRI as standard. All lumen outputs are delivered lumens. This upgraded LED system is more efficient than our previous 80CRI, 90CRI, and 97CRI options. Please see the last page of this spec sheet to cross-reference old lumen outputs with our new, 95+CRI lumen output options

¹ 347 available in "DIM" 0-10V only (100-1%)
² Phase dimming options available in 120V only
³ DALI-2 (Type 6) provided as standard. Please consult factory for DALI (Type 8) options
⁴ 2250lm not available with DMX driver option
⁵ MWF not available with Remodel (NON-IC)
⁶ New Construction IC housing available up to 1500lm
⁷ Chicago Plenum option available with New Construction Housing
⁸ Supplied with enclosure with Emergency Battery and driver. Installed remotely by others. Not accessible through fixture aperture
⁹ Available with NCF (New construction frame housing) only. Above ceiling access required. Not accessible through fixture aperture



JA8 (Title 24) Listing available with 1500lm maximum
 Driver options include "DIM" (0-10V) and "LE" (Phase dimming)

PERFORMANCE

LUMEN OUTPUT	DELIVERED LUMENS	SYSTEM WATTS	EFFICACY (LPW)
1000	1000	12.4	81
1500	1500	19.4	77
2000	2000	26.5	75
2250	2250	31.4	72

BASED ON 95+ CRI, 3500K, WW OPTIC
Lumen output and actual wattage may vary +/- 5%

MULTIPLIERS

COLOR TEMP	
2700K	0.98
3000K	1.00
3500K	1.00
4000K	1.02

HOUSING

Remodel, new construction frame, new construction and IC housing options available

Maximum ceiling thickness of 1.5". Consult factory for modifications

All housing options (except millwork) designed to be easily converted in field to trim or trimless with minimal components
Housing rated for #12 AWG (4 in, 4 out), 90°C conductors and through branch wiring

BEVELED INSERT

Cast aluminum beveled insert with matte powder coated finish
4.0" aperture with regressed LED source for enhanced glare control

TRIM

Machined aluminum trim flange with matte powder coated finish and minimal 0.375" overlap

TRIMLESS

Mudding flange features a perforated surface for easy mud-in application
Integral blocking support provided to ensure fixture is properly secured within ceiling structure

OPTICS

Proprietary wall wash optic
Asymmetrical lens provides uniformity and smooth illumination across and down the wall
Regressed LED source for enhanced glare control

LED SYSTEM

Standard 95+ CRI
Color consistency <2 SDCM
Available in 27K, 30K, 35K, and 40K
L90 > 50,000 hours

ELECTRICAL

Standard 0-10V, constant current drivers
100-1% dimming range and >0.9 power factor
Standard 120/277V universal voltage with several driver options
120V Forward Phase/Reverse Phase driver option (100-1%)
Integral drivers are easily accessible through luminaire aperture

EMERGENCY

7W output for 90 minutes (+/- 570lm at 95+ CRI). Title 24 Certified
Integral emergency battery (above ceiling access required)
Remote emergency battery (not accessible through fixture aperture)
Maximum remote mounting distance:
3000lm or below - 50ft (12AWG) or 25ft (14AWG)
Caution: Emergency Battery utilizes more than one power source and servicing should be performed by qualified personnel

MOUNTING

Trim fixture designed for use in drywall, wood, acoustic, and other architectural ceilings
Trimless fixture designed for use in drywall, mud-in ceiling applications
Recommended cut-out for Millwork Flangeless option (4 1/16"x4 1/16")
Recommended cut-out for other housing options (5 1/16"x5 1/16")
New construction frame ship with nailer type bar hangers (14" to 26" extension)
Optional C-Channel bar hangers available for NC and IC housing options

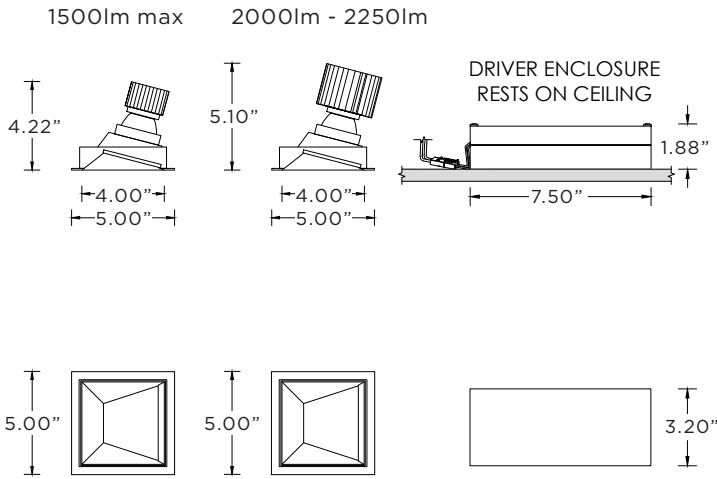
LISTING

ETL listed and conforms to UL1598 standard
Certified to CSA22.2 NO.250.0.
JA8 (Title 24) Listed
Rated for dry or damp locations

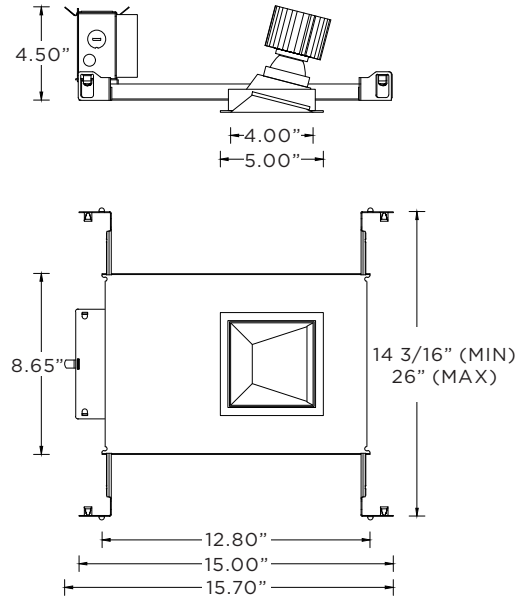
WARRANTY

5 year limited warranty
LED system rated for operation in ambient environments up to 25°C

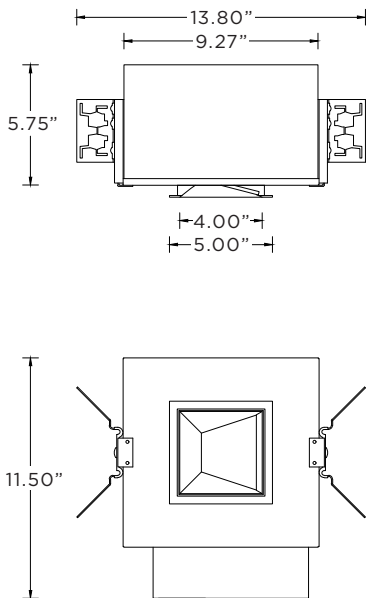
RMD - REMODEL (NON-IC)



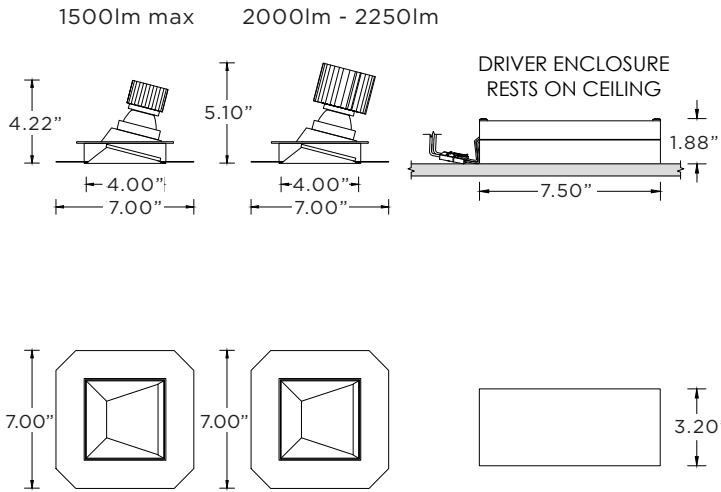
NCF - NEW CONSTRUCTION FRAME (NON-IC)



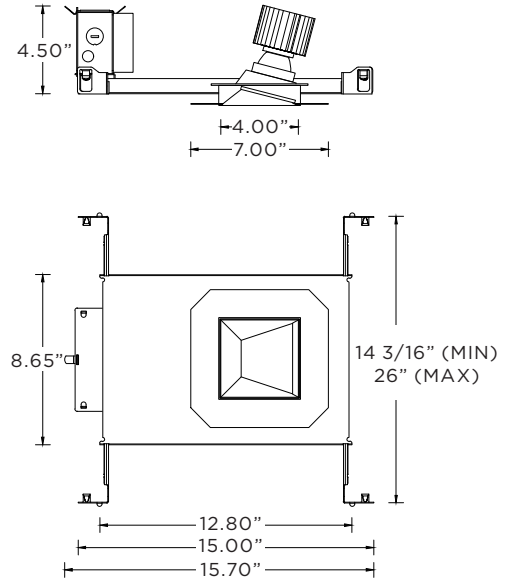
NC- NEW CONSTRUCTION HOUSING (NON-IC AND CP RATED)
IC - NEW CONSTRUCTION IC HOUSING (1500LM MAX)



RMD - REMODEL (NON-IC)

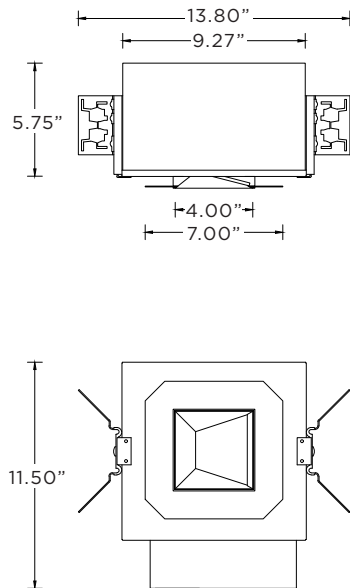


NCF - NEW CONSTRUCTION FRAME (NON-IC)

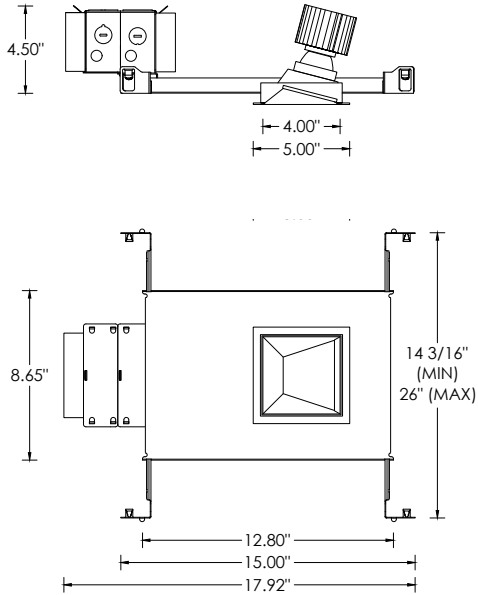


NC- NEW CONSTRUCTION HOUSING (NON-IC AND CP RATED)

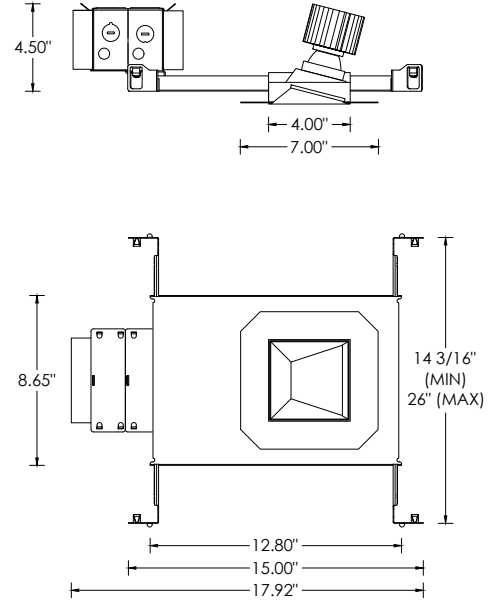
IC - NEW CONSTRUCTION IC HOUSING (1500LM MAX)



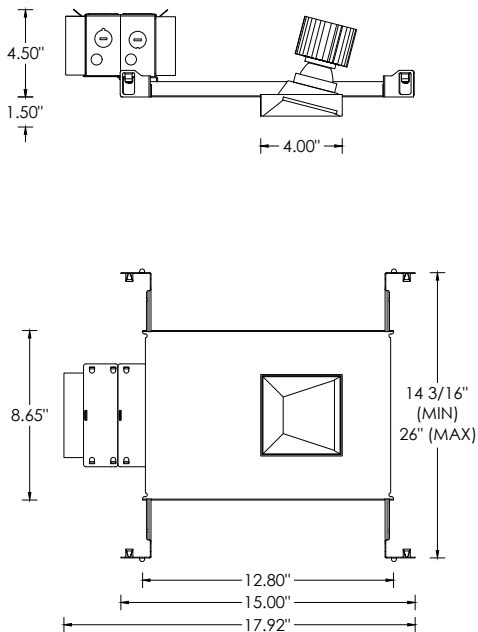
TRIM



XTR - FLANGELESS



MWF - FLANGELESS MILLWORK



LUMEN OUTPUT REFERENCE CHART

3G has upgraded our LED system and overall performance at no additional cost. We now offer 95+CRI as standard. All lumen outputs are delivered lumens. This new LED system is more efficient than our previous 80CRI, 90CRI, and 97CRI options. Please use these charts to cross-reference old lumen outputs with our new, 95+CRI lumen output options

80CRI REFERENCE CHARTS

MATCH THE GRADIENT SHADE FROM THE OLD LUMEN OUTPUT CHART TO THE NEW LUMEN OUTPUT OPTION

OLD 80CRI SPECS			
LUMEN OUTPUT	DELIVERED LUMENS	SYSTEM WATTS	EFFICACY (LPW)
1000	668	10.4	64
1500	904	14.2	64
2200	1318	22.5	59
3000	1727	31.8	54

NEW 95+CRI SPECS			
LUMEN OUTPUT	DELIVERED LUMENS	SYSTEM WATTS	EFFICACY (LPW)
1000	1000	12.4	81
1500	1500	19.4	77
2000	2000	26.5	75
2250	2250	31.4	72

90CRI REFERENCE CHARTS

MATCH THE GRADIENT SHADE FROM THE OLD LUMEN OUTPUT CHART TO THE NEW LUMEN OUTPUT OPTION

OLD 90CRI SPECS			
LUMEN OUTPUT	DELIVERED LUMENS	SYSTEM WATTS	EFFICACY (LPW)
1000	588	10.4	57
1500	796	14.2	56
2200	1160	22.5	52
3000	1520	31.8	48

NEW 95+CRI SPECS			
LUMEN OUTPUT	DELIVERED LUMENS	SYSTEM WATTS	EFFICACY (LPW)
1000	1000	12.4	81
1500	1500	19.4	77
2000	2000	26.5	75
2250	2250	31.4	72