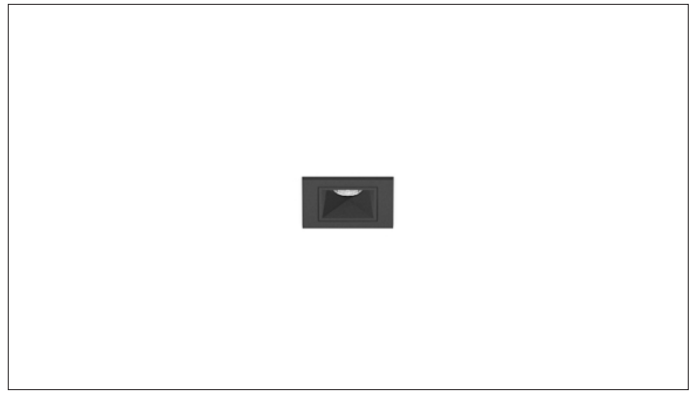




3G-RMZ1
1 LIGHT MINI ZOIE
TRIM & TRIMLESS



1.14" aperture high performance mini downlight
Features matte black or matte white multi-faceted louvers
Regressed LED source with enhanced glare control, UGR <16
Shallow housing standard along with remodel housing option
Remote driver options with standard 1% dimming range

ORDERING INFORMATION

PROJECT:	<input type="text"/>	TYPE:	<input type="text"/>
CATALOG #:	<input type="text"/>	DATE:	<input type="text"/>

CAT. NO	LUMEN OUTPUT	CRI	COLOR TEMP	BEAM ANGLE	VOLTAGE
3G-RMZ1	L02 - 200 LUMENS	H95 - 95+CRI	27K - 2700K 30K - 3000K 35K - 3500K	33D - 33° 50D - 50°	UNV - 120/277V 120 - 120V (PHASE DIMMING) 347 - 347V (REMOTE 0-10V ONLY)
Lumen output based on 35K. See performance chart for additional info					

DRIVER	FLANGE TYPE	LOUVER FINISH	HOUSING TYPE
RDIM - REMOTE 0-10V (100-1%) RDHLP - REMOTE LUTRON HI-LUME PREMIER (0.1 ECOSYSTEM) RDALI - REMOTE DALI (100-1%) ¹ RLTEA - REMOTE LUTRON HI-LUME LTEA ² (FWD PHASE, 100-1%) RD01 - REMOTE 0-10V (100-0.1%) RD347 - 347V REMOTE (100-1%)	WT - WHITE TRIM BT - BLACK TRIM XTR - TRIMLESS	BLV - BLACK WLV - WHITE	SHRM - SHALLOW HOUSING & REMOTE DRIVER OPTION RMDRM - REMODEL FIXTURE & REMOTE DRIVER OPTION Shallow Housing is IC Rated

OPTIONS
CP - CHICAGO PLENUM

¹ DALI-2 (Type 6) provided as standard. Please consult factory for DALI (Type 8) options
² Remote Forward Phase driver available in 120V only

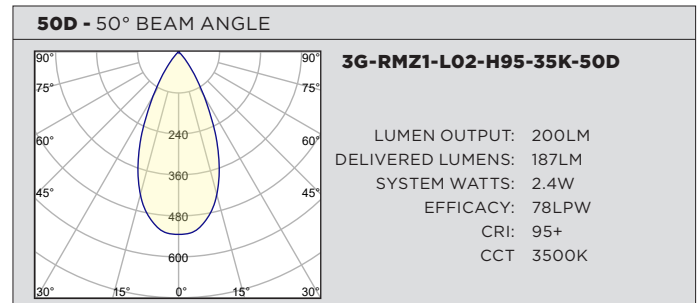
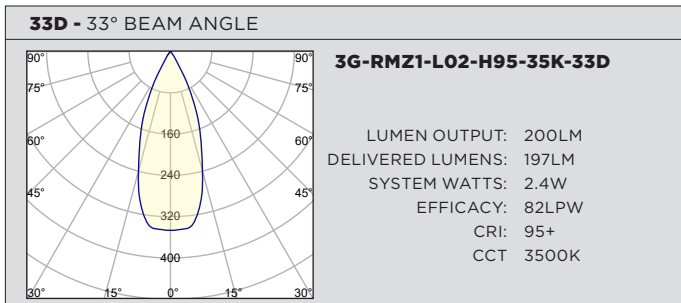
MARCH 12, 2021



PERFORMANCE CHART BASED ON 33° 95+CRI AND 3500K SOURCE

LUMEN OUTPUT	COLOR TEMP	TOTAL DELIVERED LUMENS	SYSTEM WATTS	EFFICACY (LPW)
200 LUMENS	27K	177	2.4	74
	30K	185	2.4	77
	35K	197	2.4	82

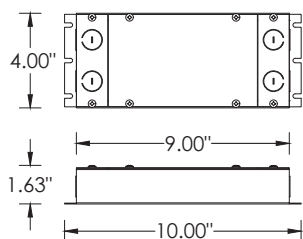
PHOTOMETRY BASED ON 95+CRI AND 3500K SOURCE



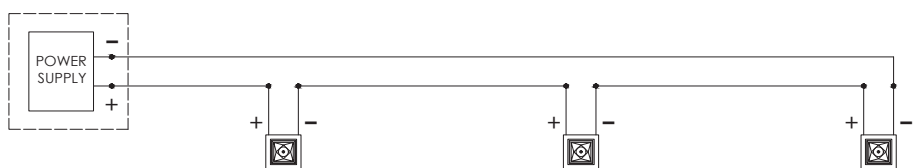
REMOTE POWER SUPPLY OPTIONS

3G DRIVER CODE	DIMMING METHOD	DIMMING RANGE	VOLTAGE	MAX. DISTANCE	3G-RMZ1 (2.4W)	3G-RMZ2 (4.8W)	3G-RMZ4 (9.6W)	3G-RMZ8 (19.2W)	3G-RMZ12 (28.5W)
RDIM	0-10V ELDOLED	100-1%	120-277V	100ft (12 AWG)	1 to 16	1 to 8	1 to 4	1 to 2	1
RD347	0-10V	100-1%	347V	100ft (12 AWG)	3 to 16	2 to 8	1 to 4	1 to 2	1
RDHLP	LUTRON HI-LUME PREMIER ECOSYSTEM	100-0.1%	120-277V	100ft (12 AWG)	5 to 16	3 to 8	2 to 4	1 to 2	1
RDALI	DALI ELDOLED	100-1%	120-277V	100ft (12 AWG)	1 to 16	1 to 8	1 to 4	1 to 2	1
RLTEA	FORWARD PHASE	100-1%	120V	100ft (12 AWG)	5 to 12	3 to 6	2 to 3	1	1
RD01	0-10V ELDOLED	100-0.1%	120-277V	100ft (12 AWG)	1 to 16	1 to 8	1 to 4	1 to 2	1

REMOTE POWER SUPPLY ENCLOSURE



WIRING DIAGRAM



Multiple Zoie fixtures must be connected in series

TECHNICAL**HOUSING**

IC rated shallow housing and Chicago Plenum housing options available
Remodel housing available with remote drivers
Maximum ceiling thickness of 1". Consult factory for modifications
Housings are rated for #12 AWG, (4 in, 4 out), 90°C conductors and through branch wiring

FACETED LOUVER

1.14" aperture with regressed LED source for enhanced glare control
Matte black or matte white faceted louver finish

TRIM

Cast aluminum trim flange with powder coated finish and minimal 0.300" overlap

TRIMLESS

Mudding flange with integral blocking support installs flush with ceiling

OPTICS

Proprietary polycarbonate multi-faceted reflectors
Available in 33°, and 50°. UGR <16

ELECTRICAL

Remote 0-10V, driver option (100-1% dimming standard with 100-0.1% option)
Remote Lutron EcoSystem and eldoLED DALI options (100-1% dimming)
Remote 120V Forward Phase driver option with 100-1% dimming

LED SYSTEM

Osram LED source
Color consistency <2 SDCM
Standard 95+CRI
Available in 27K, 30K, and 35K
L90 >60,000 hours
5 Year Warranty

MOUNTING

Trim fixture designed for use in drywall, wood, acoustic ceiling tiles, and other ceiling materials
Trimless fixture designed for use in drywall, mud-in ceiling applications
Recommended ceiling cut-out for remodel fixture: 1.500" x 1.500"
Adjustable bar hangers extend from 14" to 26"

LISTING

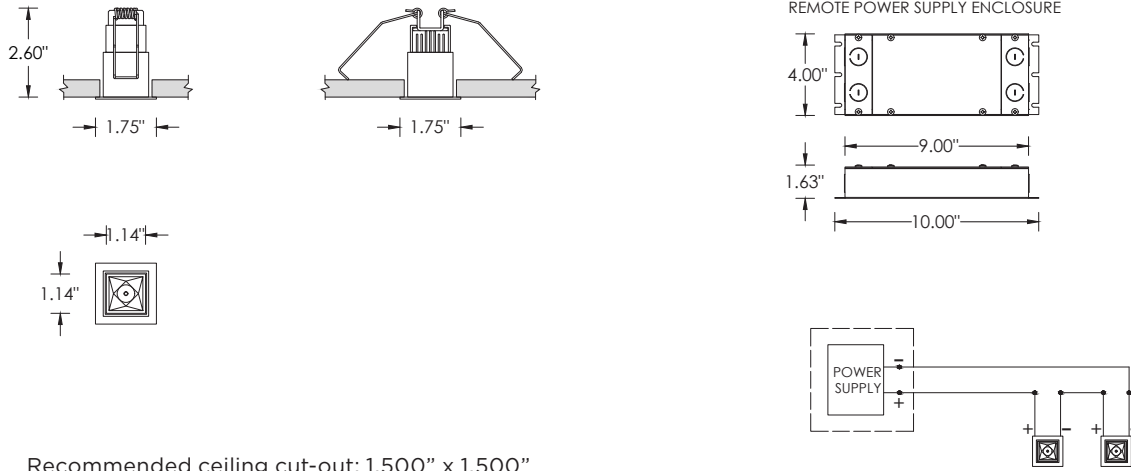
ETL listed and tested to cUL standards. Suitable for dry and damp for indoor use only

WARRANTY

5 Year Warranty on LED and drivers
Manufacturer 1 Year Warranty for defects in material and workmanship under normal use
Ambient temperature at fixture should not exceed 25°C

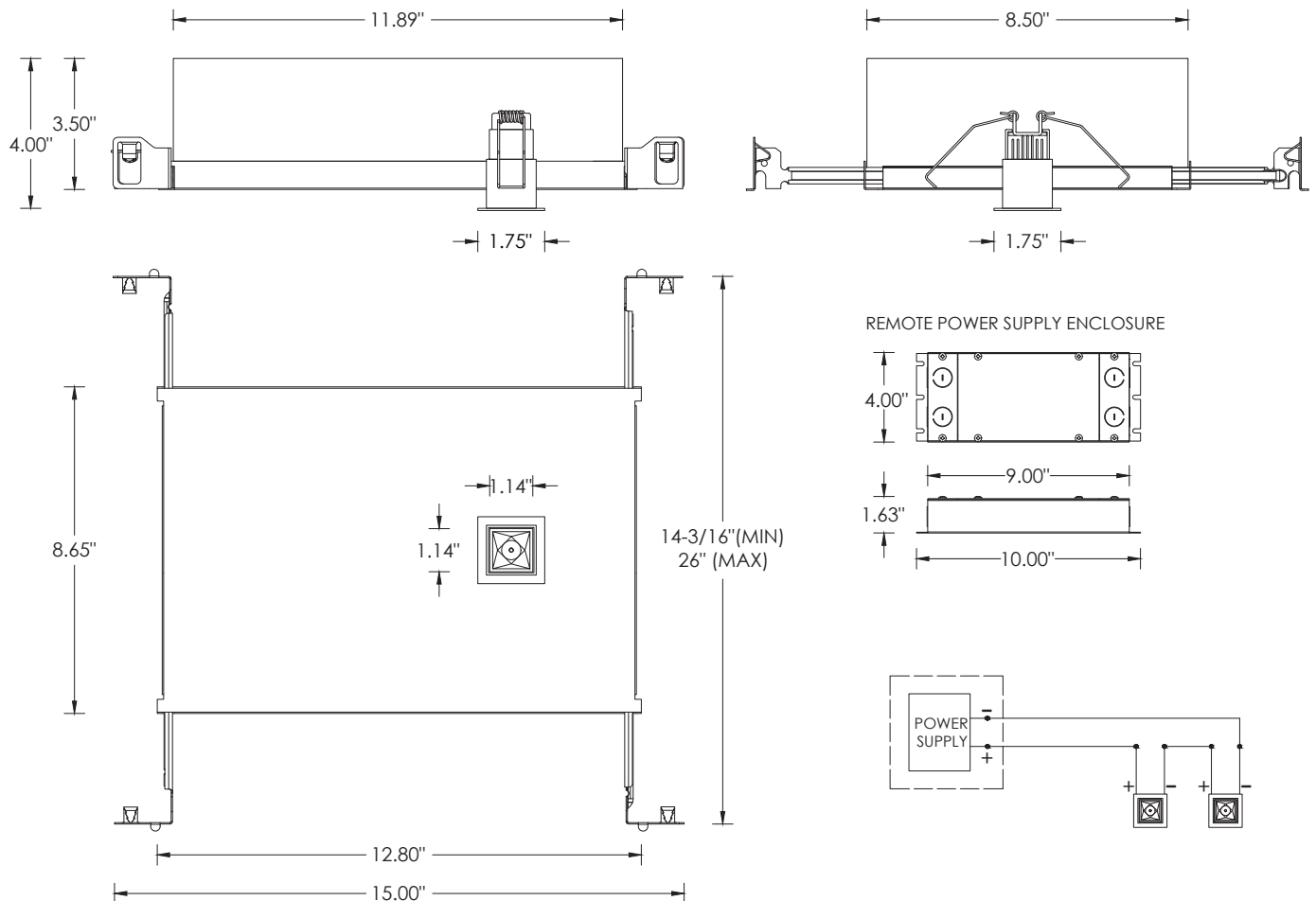
TRIM HOUSING OPTIONS (WITH REMOTE DRIVER)

RMDRM - Remodel Fixture (Non-IC) and Remote Driver option



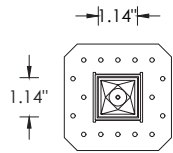
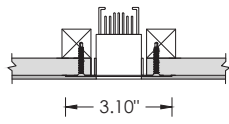
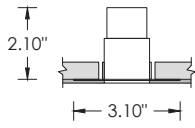
Recommended ceiling cut-out: 1.500" x 1.500"

SHRM - Shallow Housing & Remote Driver option (IC rated and Chicago Plenum rated)

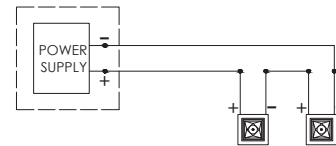
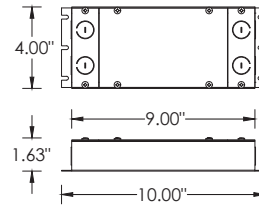


TRIMLESS HOUSING OPTIONS (WITH REMOTE DRIVER)

RMDRM - Remodel Fixture (Non-IC) and Remote Driver option

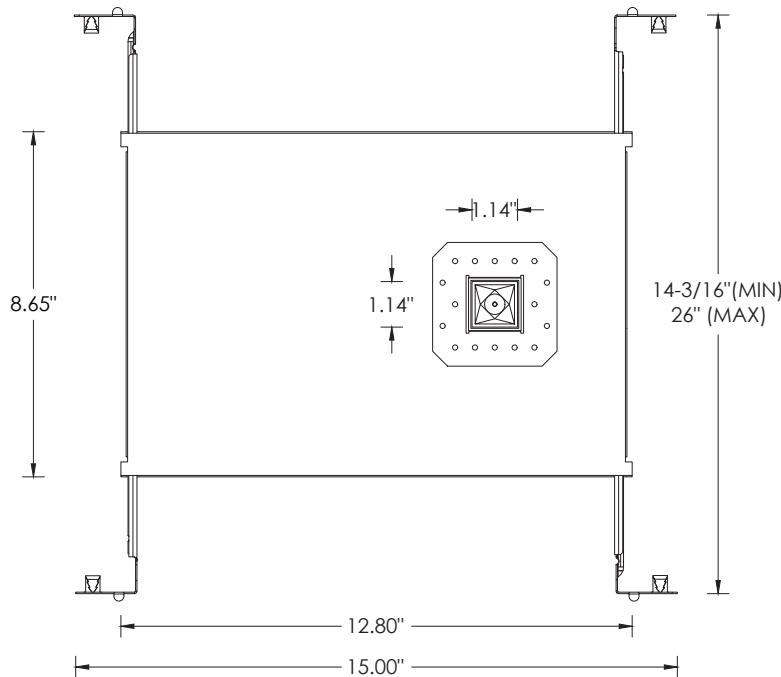
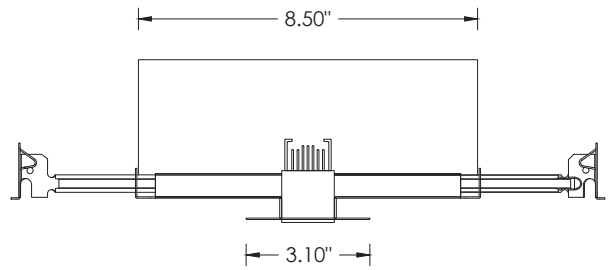
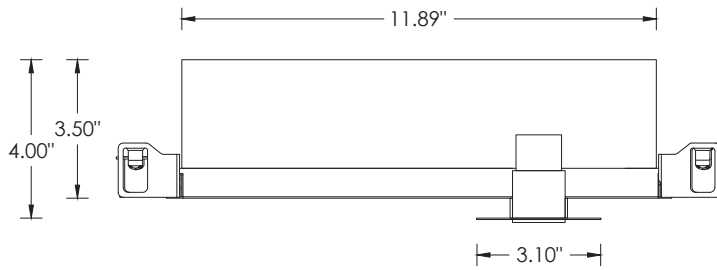


REMOTE POWER SUPPLY ENCLOSURE



Recommended ceiling cut-out: 1.500" x 1.500"

SHRM - Shallow Housing & Remote Driver option (IC rated and Chicago Plenum rated)



REMOTE POWER SUPPLY ENCLOSURE

