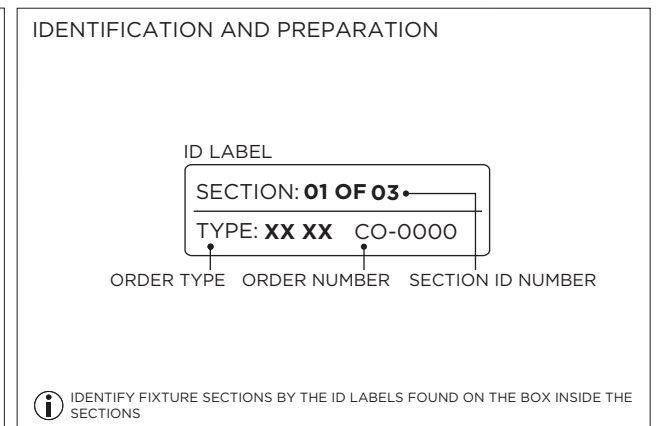
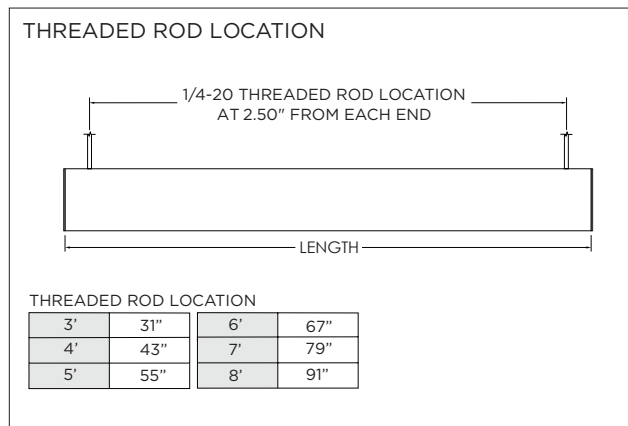
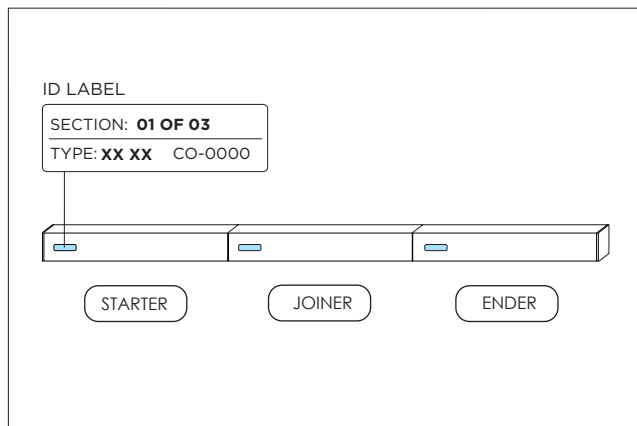
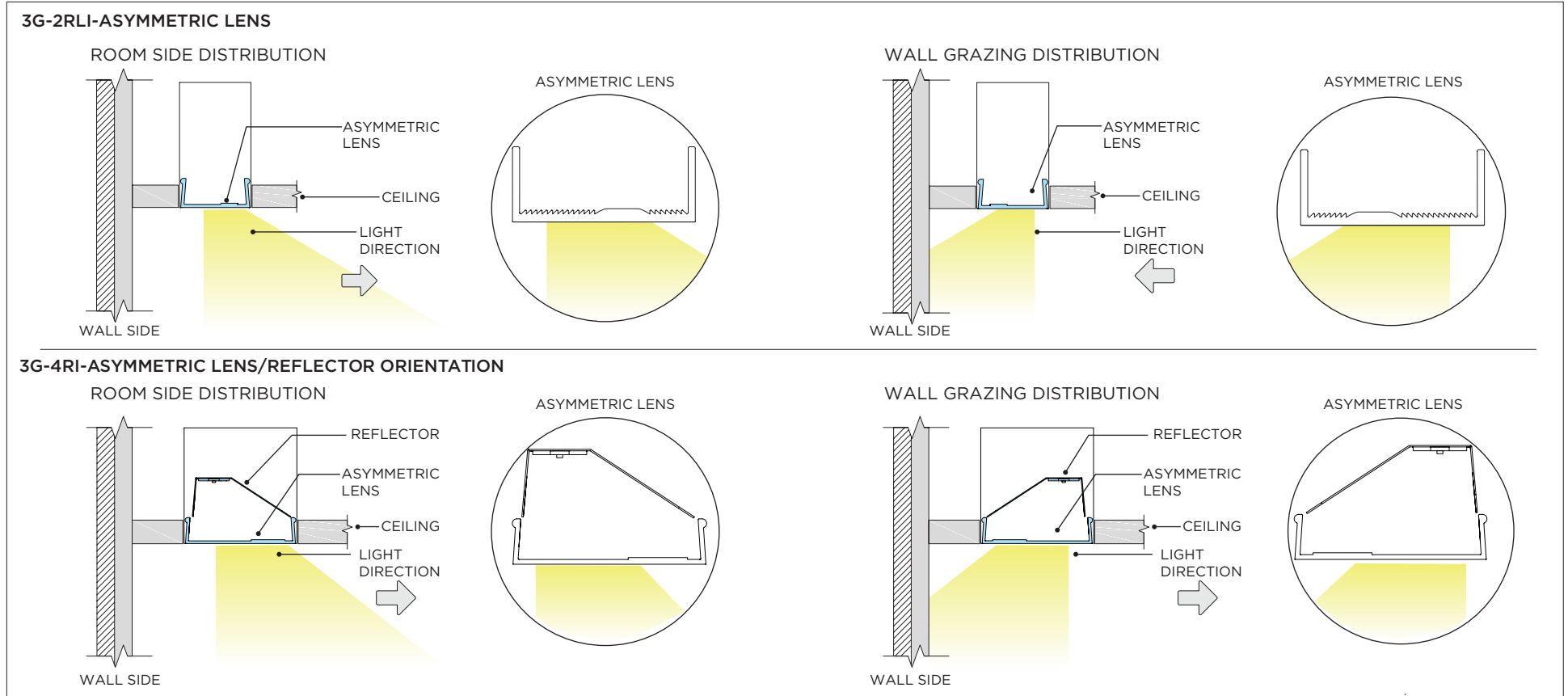
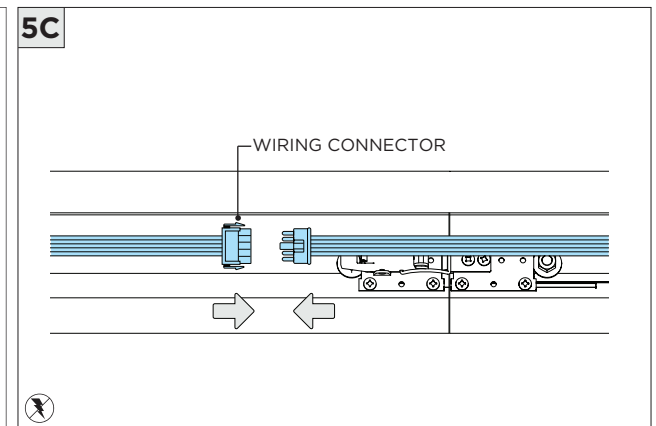
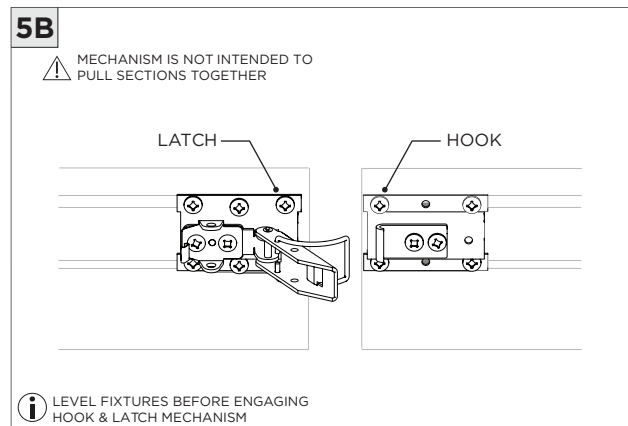
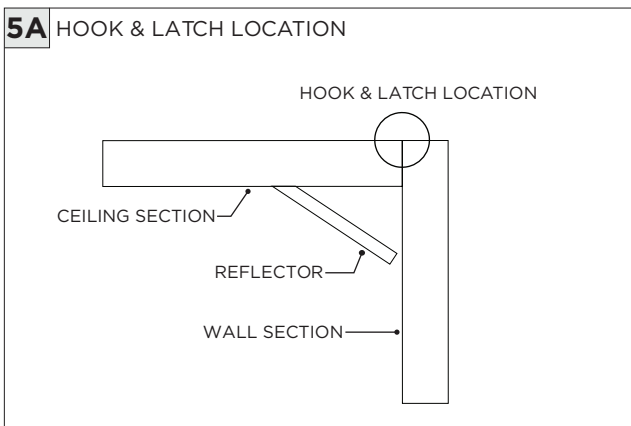
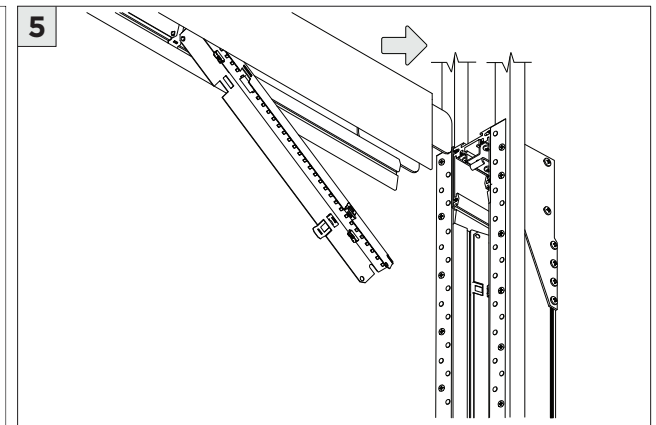
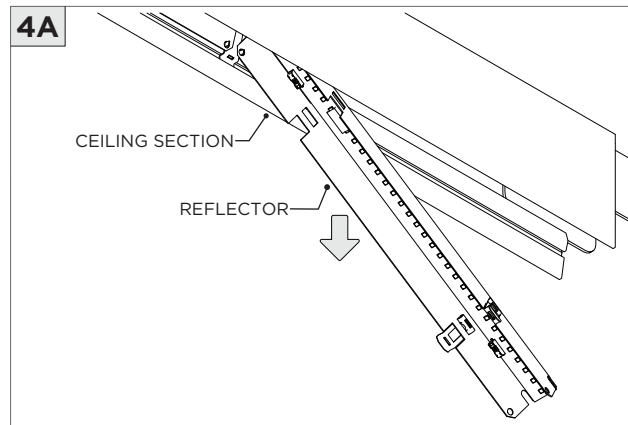
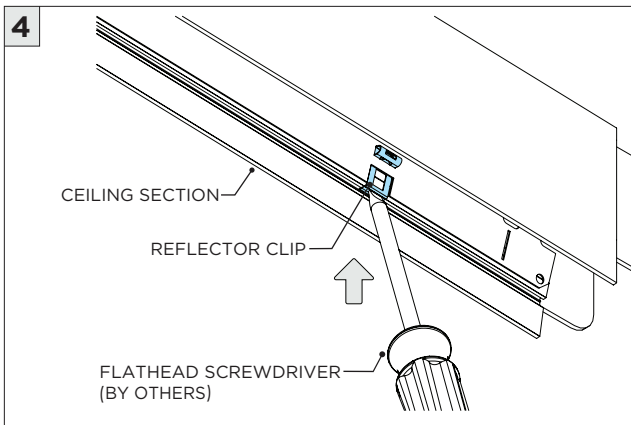
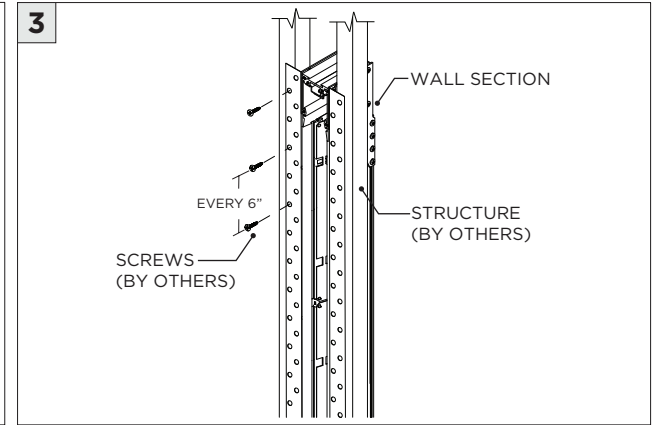
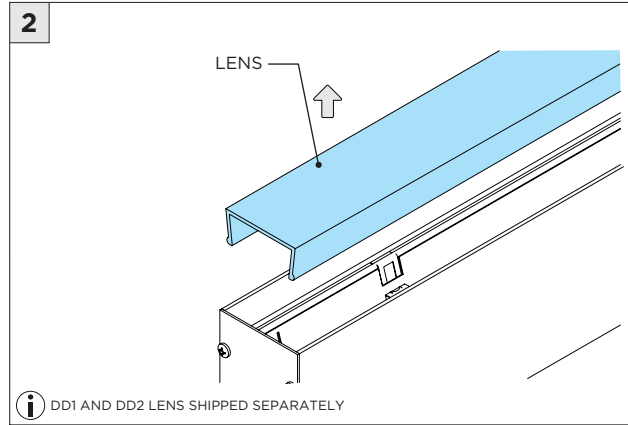
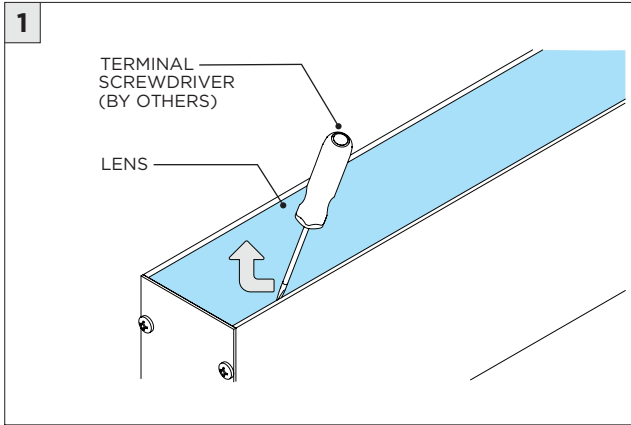
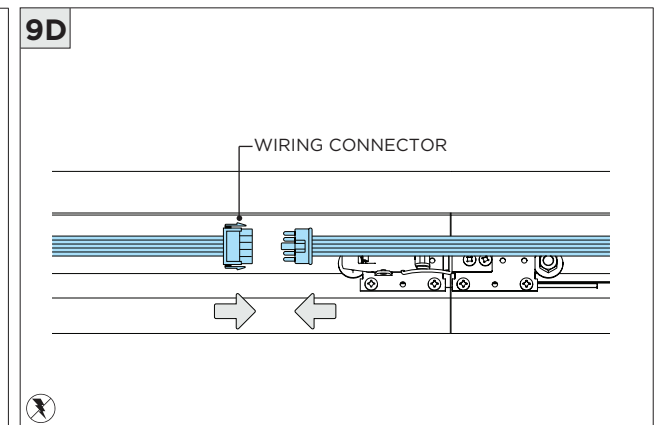
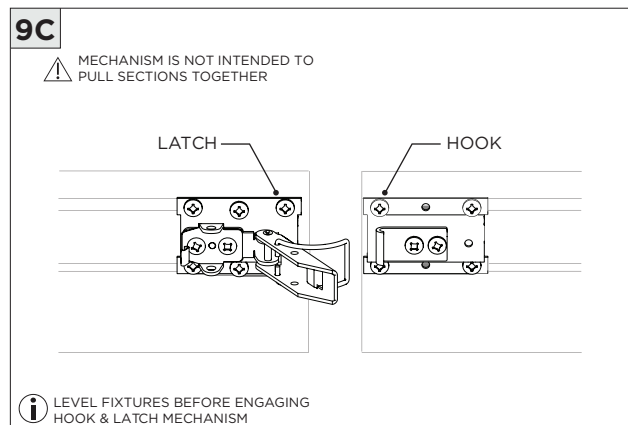
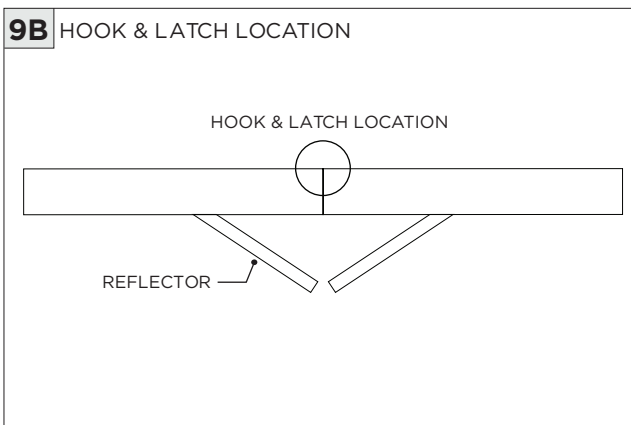
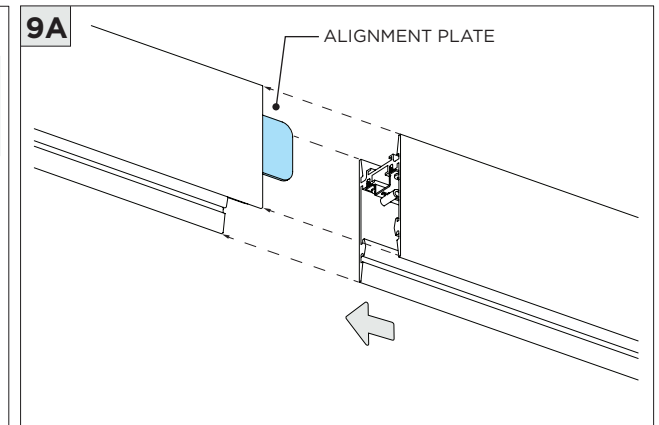
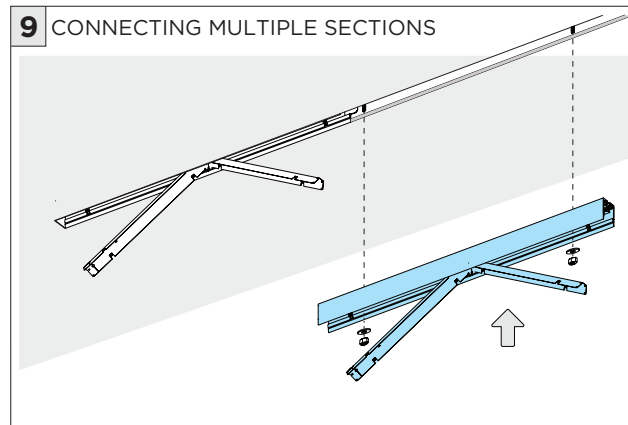
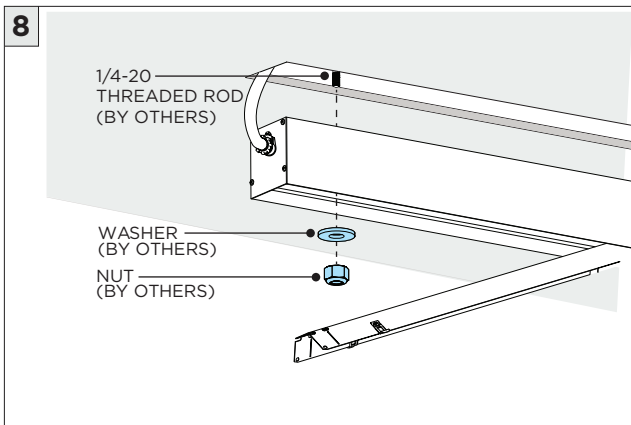
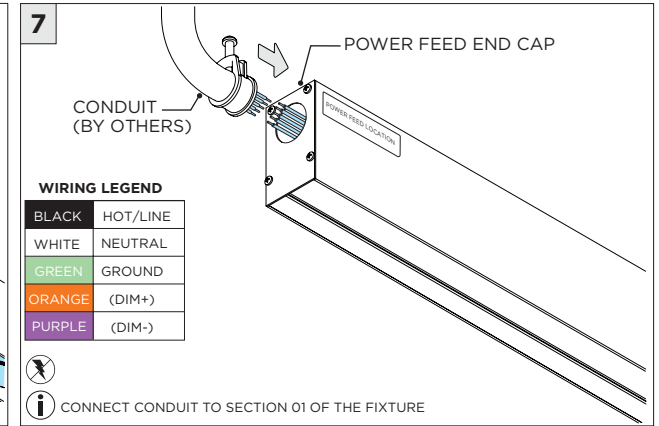
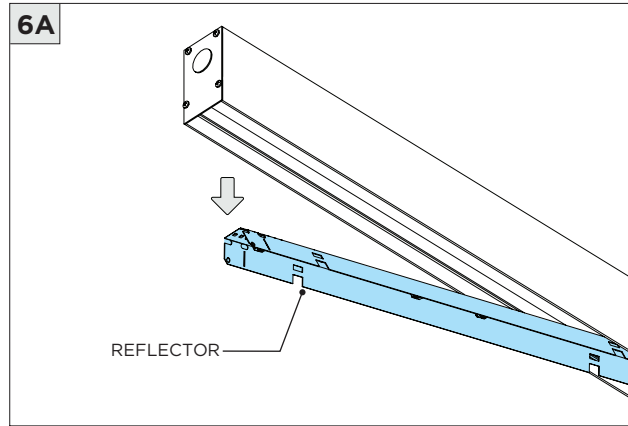
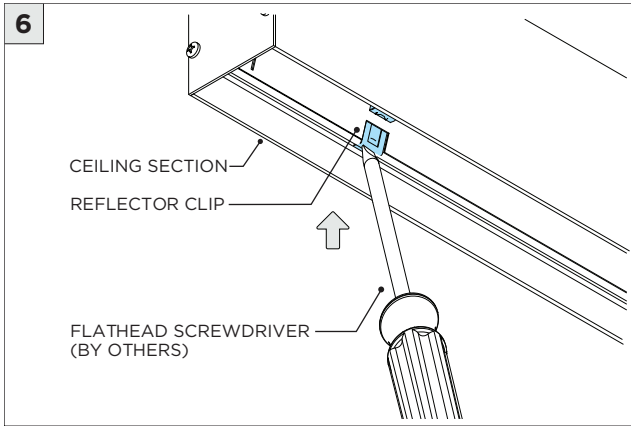
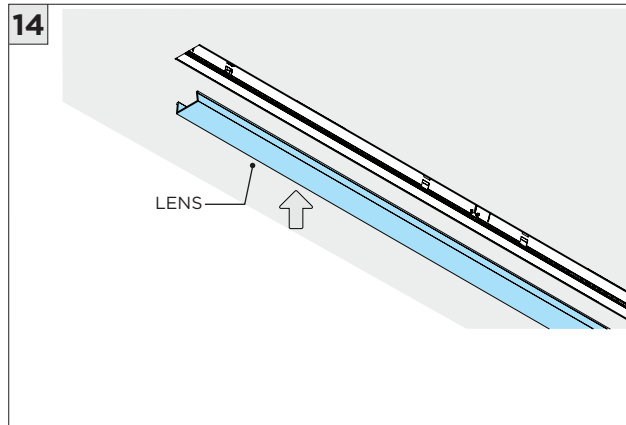
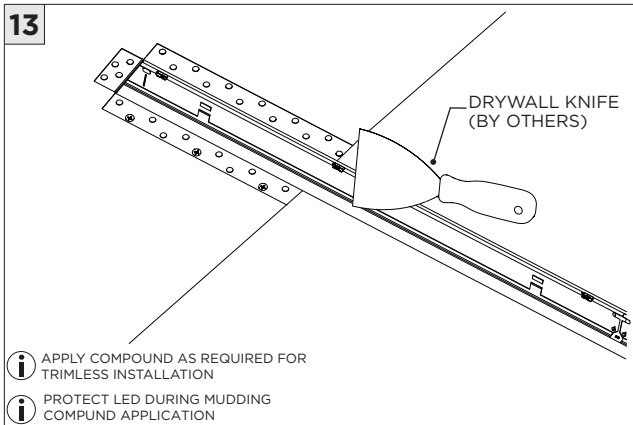
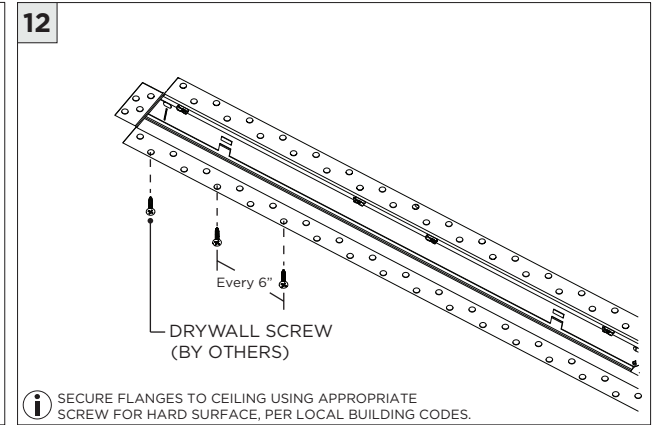
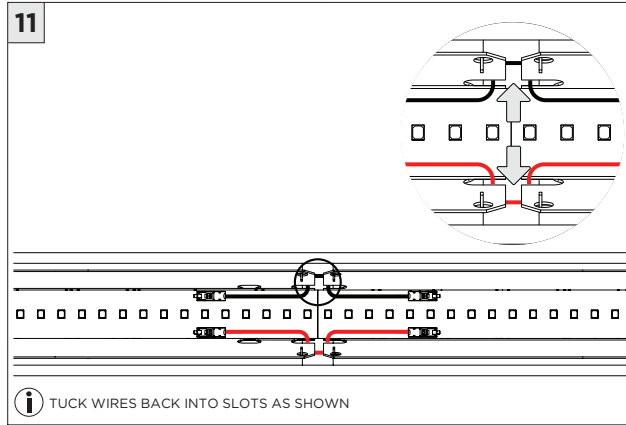
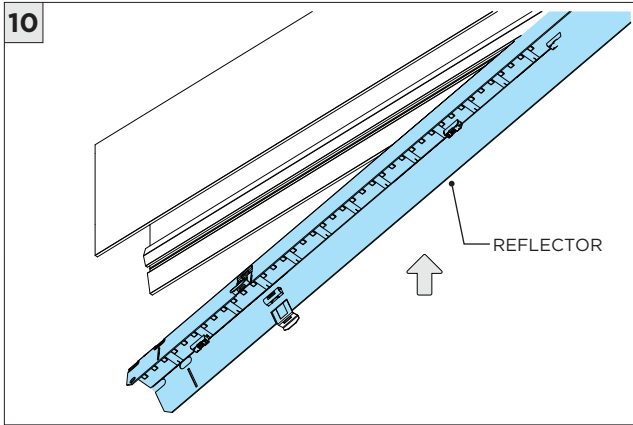


ASYMMETRIC LENS ORIENTATION



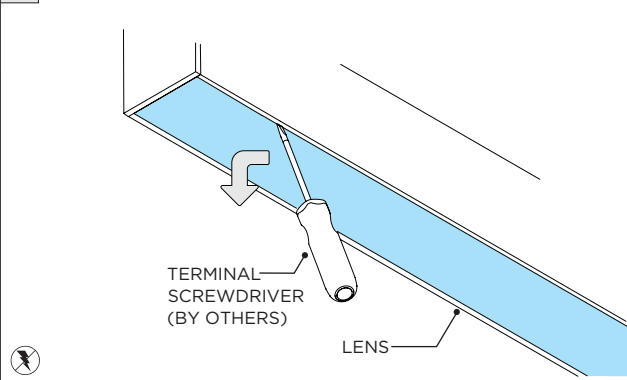




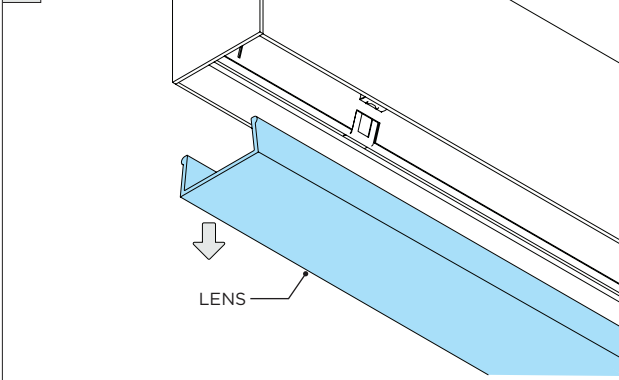


DRIVER SERVICING

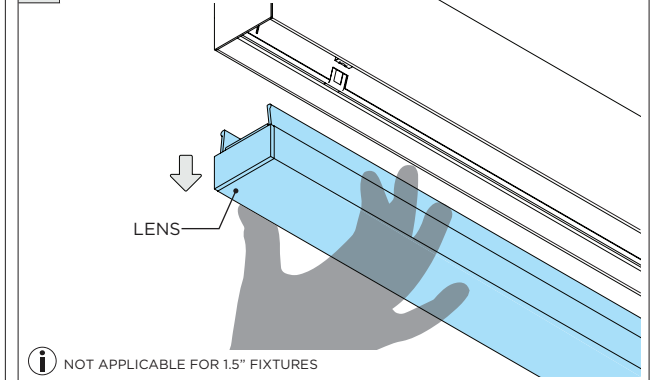
1 FLUSH LENS REMOVAL



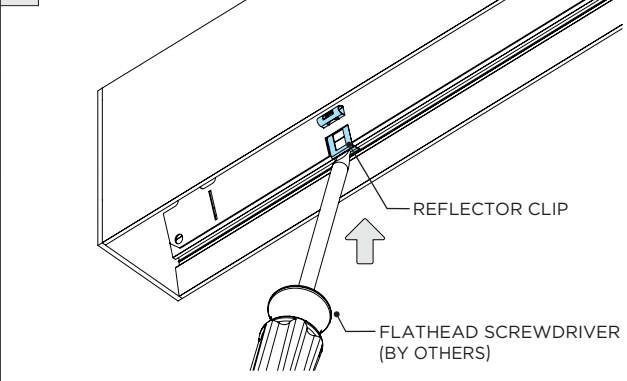
2



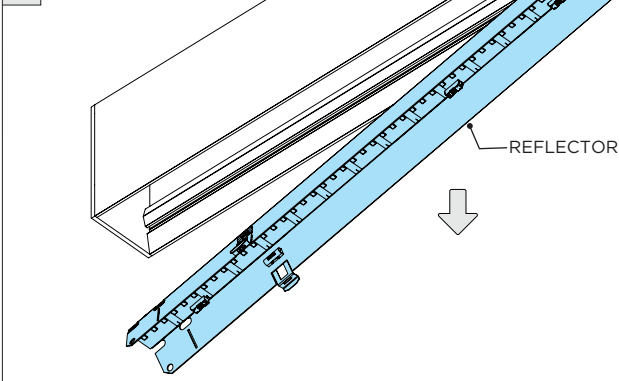
2A DROP LENS REMOVAL



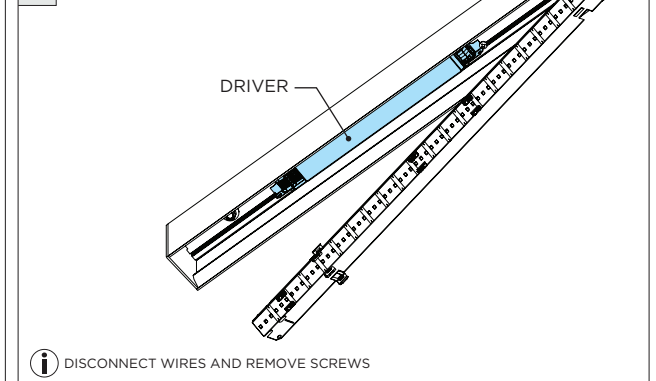
3



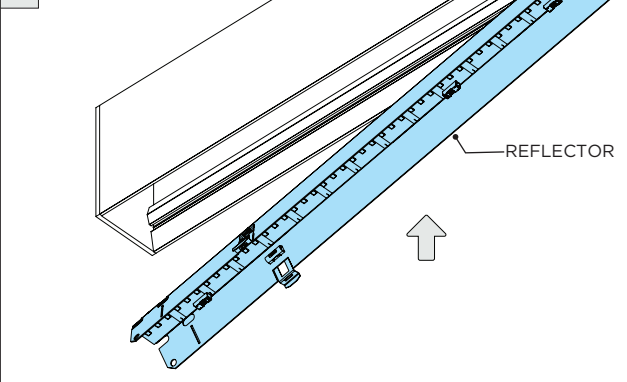
4



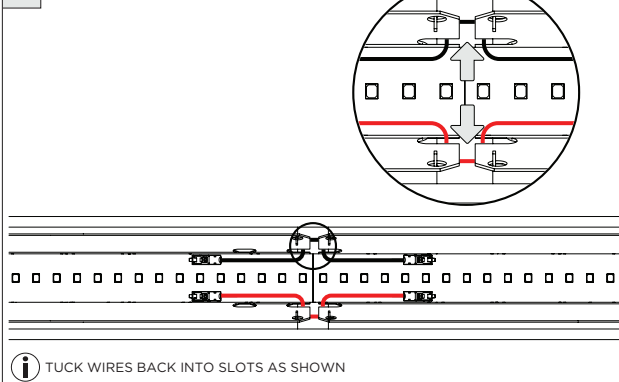
5



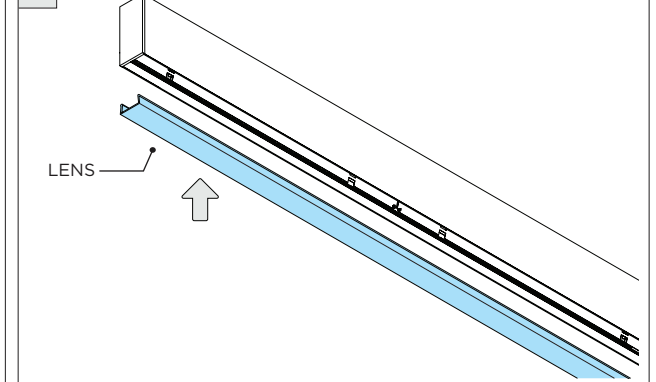
6



7

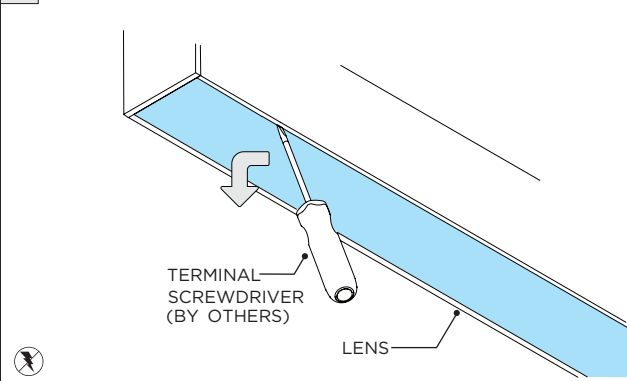


8

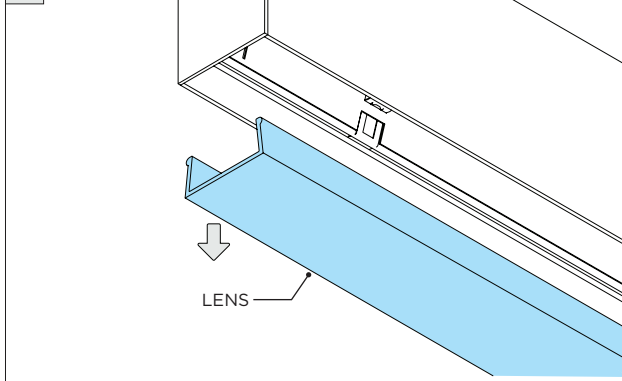


LED SERVICING

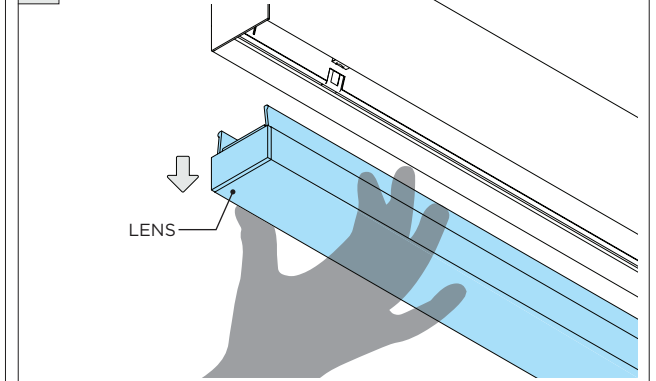
1 FLUSH LENS REMOVAL



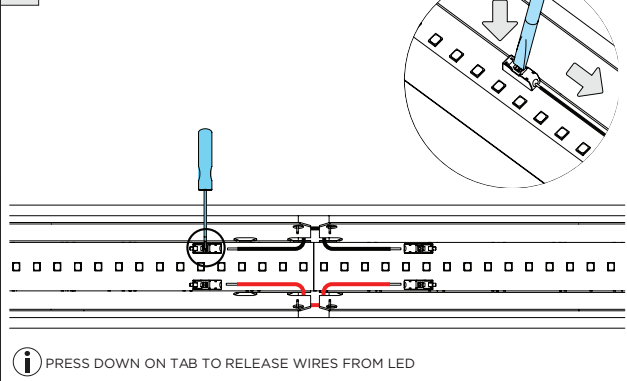
2



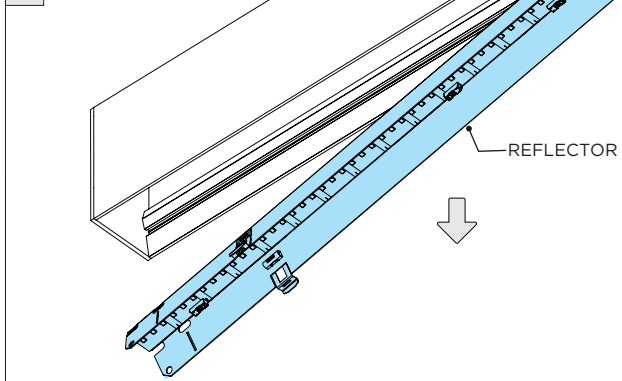
2A DROP LENS REMOVAL



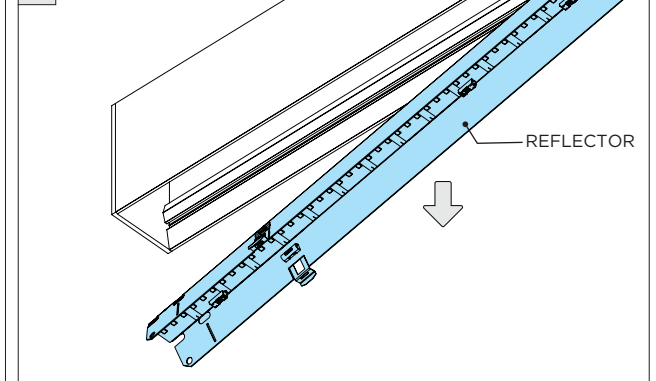
3



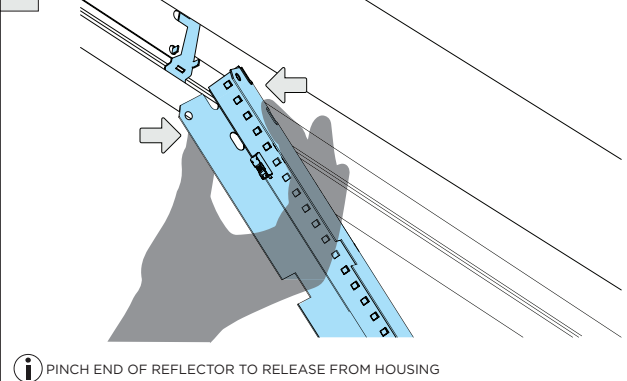
4



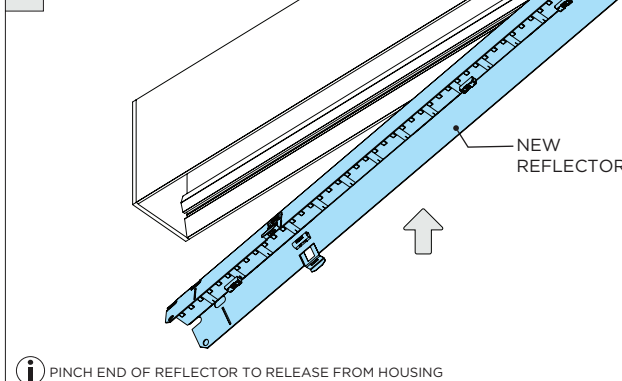
5



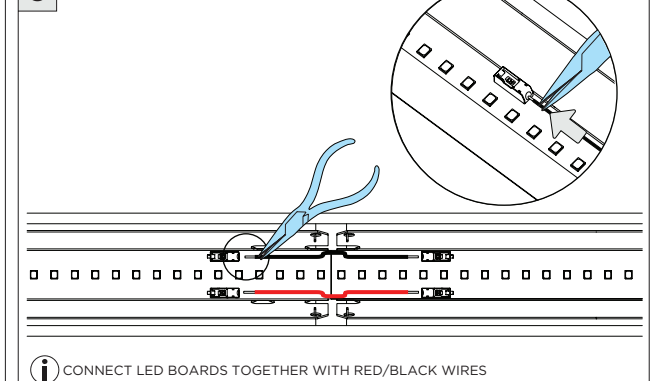
6



7



8



LED SERVICING

