

3G LIGHTING

3G-RC2M5

2 LIGHT RECESSED
MINI MADISON

Solid aluminum double gimbal with dual axis adjustability
Standard 95+ CRI LED system with performance up to 143 LPW
Delivered lumen range per fixture head up to 2250lm at 95+ CRI
Regressed LED source for enhanced glare control
10° to 90° beam angle options suitable for various applications
New construction housing with IC housing option available
Companion to 3G's Madison product family



PROJECT:		TYPE:	
CATALOG#:		DATE:	QTY:

CAT. NO	LUMEN OUTPUT (PER FIXTURE HEAD)**	CRI	COLOR TEMP	BEAM ANGLE
3G-RC2M5	10 - 1000 LUMENS (2000 TOTAL) 15 - 1500 LUMENS (3000 TOTAL) 20 - 2000 LUMENS (4000 TOTAL) 22 - 2250 LUMENS (4500 TOTAL)	H95 - 95+ CRI	27K - 2700K 30K - 3000K 35K - 3500K 40K - 4000K	10D - 10° ¹ 20D - 20° 40D - 40° 60D - 60° 90D - 90° *
	All lumen outputs are delivered lumens at 95+ CRI			*90D optic supplied with lens Not available with other lens options

VOLTAGE	DRIVER	TRIM FLANGE	GIMBAL FINISH
UNV - 120/277V 120 - 120V 347 - 347V ²	DIM - 0-10V (100-1%) LE - PHASE DIM ³ (TRIAC/ELV, 100-1%) D01 - 0-10V (100-0.1%) DALI - DALI (100-1%) ⁴ DMX - DMX (100-0%) DHL2 - LUTRON HI-LUME LDE1 (1% ECOSYSTEM)	WT - WHITE TRIM BT - BLACK TRIM ST - SILVER TRIM XTR - TRIMLESS (MUD-IN DRYWALL)	NG - NATURAL ALUMINUM BG - BLACK GIMBAL WG - WHITE GIMBAL

HOUSING FINISH	HOUSING TYPE	OPTIONS
BK - BLACK (STANDARD) WH - WHITE CF - CUSTOM	NC - NEW CONSTRUCTION (NON-IC) IC - IC HOUSING ⁵	2C - 2 CIRCUITS BH - C-CHANNEL BAR HANGERS CP - CHICAGO PLENUM ⁶ EMR - REMOTE EMERGENCY BATTERY ⁷ SF - SOFTENING LENS SB - SANDBLASTED LENS LS - LINEAR SPREAD LENS HXB - BLACK HEXCELL LOUVER
		*Lens option not available with 90D optic Maximum 2 optical accessories per fixture head

- ¹ 10D and 20D reflector available up to 2000lm
- ² 347 available in "DIM" 0-10V only (100-1%)
- ³ Phase dimming options available in 120V only
- ⁴ DALI-2 (Type 6) provided as standard. Please consult factory for DALI (Type 8) options
- ⁵ IC housing available up to 2000lm
- ⁶ Chicago Plenum option available with New Construction Housing
- ⁷ Supplied with enclosure with Emergency Battery and driver. Installed remotely by others. Not accessible through fixture aperture

****** 3G has upgraded our LED system and overall performance at no additional cost. We now offer 95+CRI as standard. All lumen outputs are delivered lumens. This upgraded LED system is more efficient than our previous 80CRI, 90CRI, and 97CRI options. Please see the last page of this spec sheet to cross-reference old lumen outputs with our new, 95+CRI lumen output options

PERFORMANCE (PER FIXTURE HEAD)

LUMEN OUTPUT	DELIVERED LUMENS	SYSTEM WATTS	EFFICACY (LPW)
1000	1000	8.5	117
1500	1500	13.5	111
2000	2000	18.5	108
2250	2250	21.2	106

BASED ON 95+ CRI, 3500K, 40D OPTIC
Lumen output and actual wattage may vary +/- 5%

MULTIPLIERS

BEAM ANGLE	
10D	0.97
20D	1.20
40D	1.00
60D	1.02
90D	0.90

COLOR TEMP	
2700K	0.98
3000K	1.00
3500K	1.00
4000K	1.02

HOUSING

New construction and IC housing options available
Housing fabricated in cold rolled steel. Standard black powder coated finish
Maximum ceiling thickness of 1". Consult factory for modifications
All housing options designed to be easily converted in field to trim or trimless with minimal components
Housing rated for #12 AWG (4 in, 4 out), 90°C conductors and through branch wiring

TRIM FLANGE

Features a 3/4" removable trim assembly designed to conceal inner hardware

TRIMLESS

Aluminum mudding flange features a unique reveal that emulates drywall
Integral aluminum blocking support provided to ensure fixture is properly secured within ceiling structure

ADJUSTABILITY

Solid aluminum double gimbal with dual axis adjustability
Each double gimbal can be locked in place

OPTICS

Proprietary anodized, aluminum reflectors
Beam angle available in 10°, 20°, 40° and 60°, and 90°
Reflectors are field replaceable
10° and 20° reflectors are multi-faceted (not interchangeable with other options)

LED SYSTEM

Standard 95+ CRI
Color consistency <2 SDCM
Available in 27K, 30K, 35K, and 40K
L90 > 50,000 hours

ELECTRICAL

Standard 0-10V, constant current drivers
100-1% dimming range and >0.9 power factor
Standard 120/277V universal voltage with several driver options
120V Forward Phase/Reverse Phase driver option (100-1%)
Integral drivers are easily accessible through luminaire aperture

EMERGENCY

7W output for 90 minutes (One fixture head +/- 850lm at 95+ CRI)
Title 24 Certified
Remote emergency battery not accessible through fixture aperture
Maximum remote mounting distance:
3000lm or below - 50ft (12AWG) or 25ft (14AWG)
Caution: Emergency Battery utilizes more than one power source and servicing should be performed by qualified personnel

MOUNTING

Trim fixture designed for use in drywall, wood, acoustic, and other architectural ceilings
Trimless fixture designed for use in drywall, mud-in ceiling applications
Optional C-Channel bar hangers available
Butterfly brackets compatible with 1/2" x 1/2" channel, 1/2", 5/8", 3/4" bar hanger, 1/2" EMT, and furring strips (supplied by others)

LISTING

ETL listed and conforms to UL1598 standard
Certified to CSA22.2 NO.250.0.
Rated for dry or damp locations

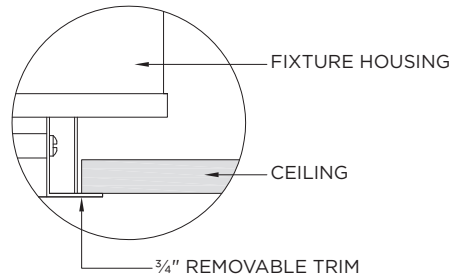
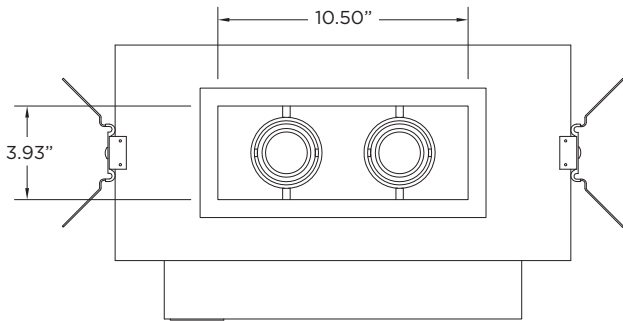
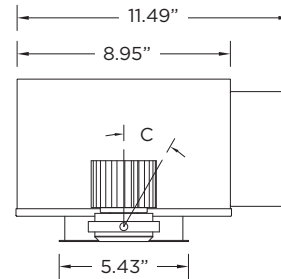
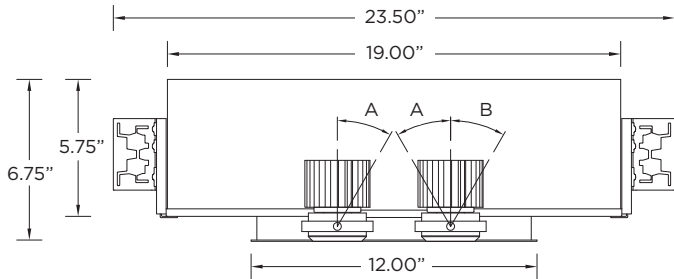
WARRANTY

5 year limited warranty
LED system rated for operation in ambient environments up to 25°C

TRIM HOUSING OPTIONS

- NC** - NEW CONSTRUCTION (NON-IC)
- IC** - IC HOUSING (2000LM MAX)
- CP** - CHICAGO PLENUM HOUSING

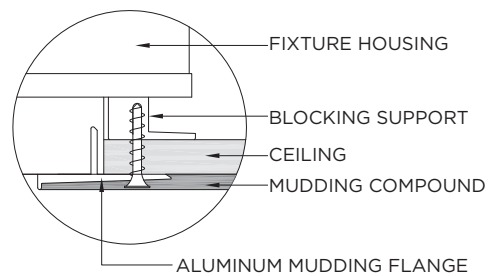
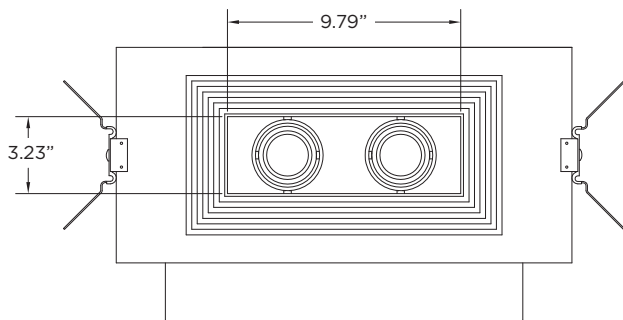
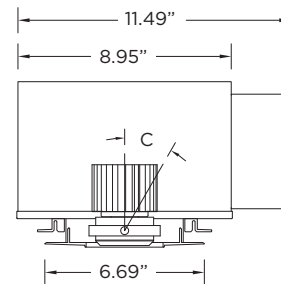
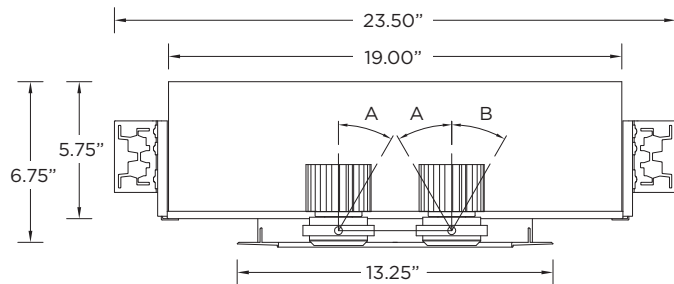
LUMEN OUTPUT	A	B	C
Up to 2000lm	35°	45°	25°
2250lm	20°	45°	25°



TRIMLESS HOUSING OPTIONS

- NC** - NEW CONSTRUCTION (NON-IC)
- IC** - IC HOUSING (2000LM MAX)
- CP** - CHICAGO PLENUM HOUSING

LUMEN OUTPUT	A	B	C
Up to 2000lm	35°	45°	25°
2250lm	20°	45°	25°



LUMEN OUTPUT REFERENCE CHART

3G has upgraded our LED system and overall performance at no additional cost. We now offer 95+CRI as standard. All lumen outputs are delivered lumens. This new LED system is more efficient than our previous 80CRI, 90CRI, and 97CRI options. Please use these charts to cross-reference old lumen outputs with our new, 95+CRI lumen output options

80CRI REFERENCE CHARTS

MATCH THE GRADIENT SHADE FROM THE OLD LUMEN OUTPUT CHART TO THE NEW LUMEN OUTPUT OPTION

OLD 80CRI SPECS			
LUMEN OUTPUT	DELIVERED LUMENS	SYSTEM WATTS	EFFICACY (LPW)
1000	1015	10.2	100
1500	1400	13.9	101
2200	2194	22.0	100

NEW 95+CRI SPECS			
LUMEN OUTPUT	DELIVERED LUMENS	SYSTEM WATTS	EFFICACY (LPW)
1000	1000	8.5	117
1500	1500	13.5	111
2000	2000	18.5	108
2250	2250	21.2	106

90CRI REFERENCE CHARTS

MATCH THE GRADIENT SHADE FROM THE OLD LUMEN OUTPUT CHART TO THE NEW LUMEN OUTPUT OPTION

OLD 90CRI SPECS			
LUMEN OUTPUT	DELIVERED LUMENS	SYSTEM WATTS	EFFICACY (LPW)
1000	893	10.2	88
1500	1232	13.9	89
2200	1931	22.0	88

NEW 95+CRI SPECS			
LUMEN OUTPUT	DELIVERED LUMENS	SYSTEM WATTS	EFFICACY (LPW)
1000	1000	8.5	117
1500	1500	13.5	111
2000	2000	18.5	108
2250	2250	21.2	106