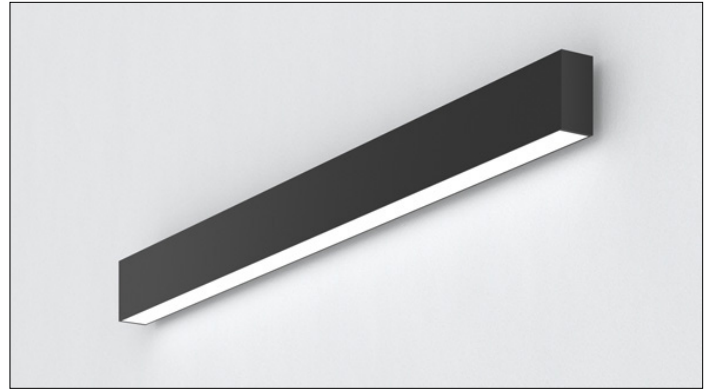


# 3G LIGHTING

## 3G-2WLI-D

2" LINEAR DIRECT  
WALL MOUNTED



Narrow 2" aperture with one piece extruded aluminum housing  
Individual or continuous runs available in multiple run configurations  
Direct distribution with multiple lumen output options  
LED system with performance up to 132 lumens per watt  
Extruded acrylic lens available in flush, 1" and 2" drop lens options  
Asymmetric optics available  
1% dimming standard with several driver options



<b>PROJECT:</b>		<b>TYPE:</b>	
<b>CATALOG#:</b>		<b>DATE:</b>	<b>QTY:</b>

CAT. NO	LUMEN OUTPUT	CRI	COLOR TEMP	VOLTAGE
<b>3G-2WLI-D</b>	<b>D250</b> - 250 LM/FT <sup>1</sup> <b>D500</b> - 500 LM/FT <b>D750</b> - 750 LM/FT <b>D1000</b> - 1000 LM/FT <b>DC___</b> - CUSTOM OUTPUT (SPECIFY LM/FT) *  <small>*Specify custom lumen outputs in 50lm increments (ie: DC600, DC650, DC700) Custom output cannot exceed D1000 DLC minimum lumen output is 500 lm/ft</small>	<b>S80</b> - 80+ CRI <sup>2</sup> <b>H90</b> - 90+ CRI  <small>*DLC listing available with 80CRI</small>	<b>27K</b> - 2700K <b>30K</b> - 3000K <b>35K</b> - 3500K <b>40K</b> - 4000K  <small>*DLC listing available with 35K</small>	<b>UNV</b> - 120/277V <b>347</b> - 347V <sup>3</sup>

DRIVER	LENS OPTION	FINISH	OPTIONS
<b>DIM</b> - 0-10V (100-1%) <b>D01</b> - 0-10V (100-0.1%) <b>DALI</b> - DALI (100-1%) <sup>4</sup> <b>DHL2</b> - LUTRON HI-LUME (1% ECOSYSTEM) <b>DMX</b> - DMX (100-0%)	<b>FL</b> - FLUSH LENS <b>DD1</b> - 1" DROP LENS <sup>5</sup> <b>DD2</b> - 2" DROP LENS <sup>5</sup> <b>DASY</b> - ASYMMETRIC LENS	<b>WH</b> - WHITE <b>BK</b> - BLACK <b>SV</b> - SILVER  <small>All mounting canopies provided in white as standard</small>	<b>EMB</b> - EMERGENCY BATTERY * (INTEGRAL) <b>EMC</b> - EMERGENCY CIRCUIT  <small>*Minimum 4' section</small>

RUN TYPE
<b>S</b> - ___' (STRAIGHT) * <b>L</b> - ___'X ___' (L-SHAPE) <b>U</b> - ___'X ___'X ___' (U-SHAPE)  <small>*Individual units available from 2' to 8' Continuous runs available in 1" increments as standard</small>

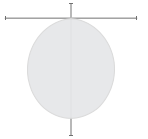
<sup>1</sup> D250 (250LM/FT) not available in 2' length with DALI, D01, DMX, or DHL2. Specify minimum DC350 for those driver options  
<sup>2</sup> S80 (80+ CRI) not available with 27K  
<sup>3</sup> 347 available in "DIM" 0-10V only (100-1%)  
<sup>4</sup> DALI-2 (Type 6) provided as standard. Please consult factory for DALI (Type 8) options  
<sup>5</sup> DD1 (1" drop lens) and DD2 (2" drop lens) available with straight run type only

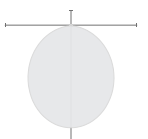


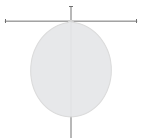
DLC listing starting at 500 lumens per foot (D500)  
Available with 80CRI and 3500K

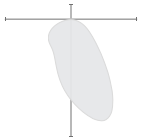
DELIVERED LUMENS PER FOOT BASED ON 80+ CRI 3500K LED SOURCE

**LENS OPTION**

FLUSH	DELIVERED LUMENS	SYSTEM WATTS	EFFICACY (LPW)
	250	1.9	132
	500	3.8	132
	750	5.8	129
	1000	7.9	127

1" DROP	DELIVERED LUMENS	SYSTEM WATTS	EFFICACY (LPW)
	250	2.0	126
	500	4.0	126
	750	6.1	123
	1000	8.3	120

2" DROP	DELIVERED LUMENS	SYSTEM WATTS	EFFICACY (LPW)
	250	2.1	120
	500	4.2	120
	750	6.4	117
	1000	8.8	114

ASYMMETRIC	DELIVERED LUMENS	SYSTEM WATTS	EFFICACY (LPW)
	250	1.9	131
	500	3.8	131
	750	5.9	128
	1000	8.0	125

**LUMEN OUTPUT MULTIPLIERS**

COLOR TEMP	80+ CRI	90+ CRI
2700K	N/A	0.78
3000K	0.97	0.83
3500K	1.00	0.86
4000K	1.02	0.88

**HOUSING**

Extruded aluminum housing with narrow 2" aperture  
Die cast aluminum end caps add 1/4" to each end of luminaire  
Individual units and continuous runs available in 1" increments as standard  
24-gauge LED reflector with high reflectance white powder coated finish  
Standard polyester powder coated matte white finish. Optional finishes available

**OPTICS**

Extruded, satin acrylic lens designed for optimal performance and glare control. Up to 8' continuous  
Lens options include flush, 1" and 2" drops with illuminated end caps for all drop lenses  
High performance asymmetric optics available

**LISTING**

ETL listed and conforms to UL1598 standard. Certified to CSA22.2 NO.250.0. Rated for indoor dry or damp locations  
DLC certified. Consult factory for details

**WARRANTY**

5 Year Warranty on LED and drivers  
Manufacturer 1 Year Warranty for defects in material and workmanship under normal use  
Ambient temperature at fixture should not exceed 25°C

**ELECTRICAL**

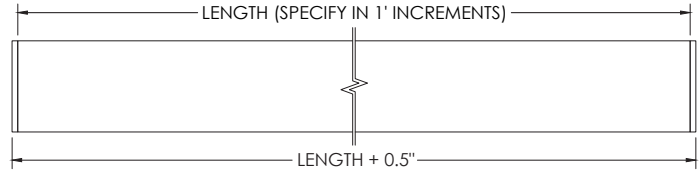
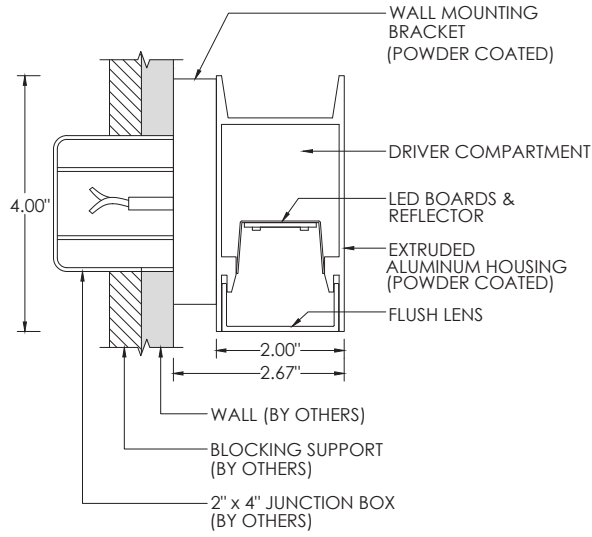
Standard 0-10V, constant current drivers with 100-1% dimming range and >0.9 power factor  
Standard 120/277V universal voltage with several driver options  
Luminaires are pre-wired with factory installed quick connects and branch circuit wiring  
All drivers are integral and easily accessible through luminaire aperture  
Minimum 4' and maximum 6' length for each integral emergency battery. 10W output for 90 minutes

**LED SYSTEM**

Proprietary LED system with color consistency <3 SDCM  
Available in 27K, 30K, 35K, and 40K  
Standard 80+CRI. Optional 90+CRI  
R9 value of 56 for 90+CRI  
L90 >60,000 hours  
5 Year Warranty

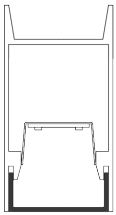
**MOUNTING**

Toolless installation with 3G's proprietary mounting system  
Internal, toolless joiner system (latch and hook) easily connects multiple sections together  
LED reflectors remain within each fixture section during installation with 3G's click and lock spring system  
Suitable for wall mount applications (2"x4" junction box)  
Fixture is secured to mounting brackets that fasten directly to wall  
Fixture weight: +/- 2.5 lb/ft

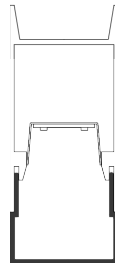


**LENS OPTION**

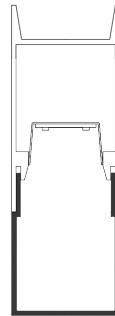
**FL - FLUSH**



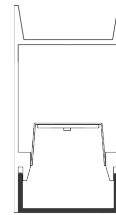
**DD1 - 1" DROP**



**DD2 - 2" DROP**



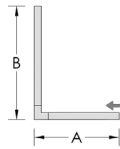
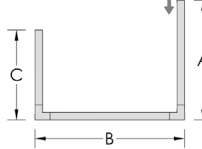
**DASY - ASYMMETRIC**



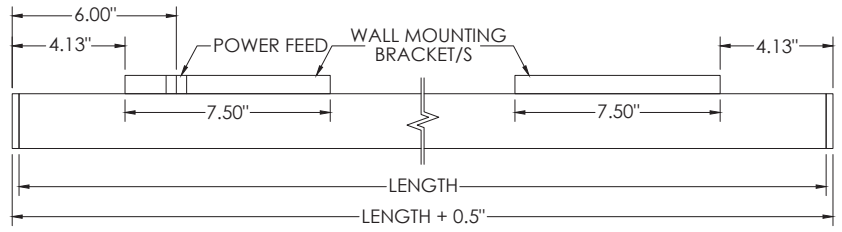
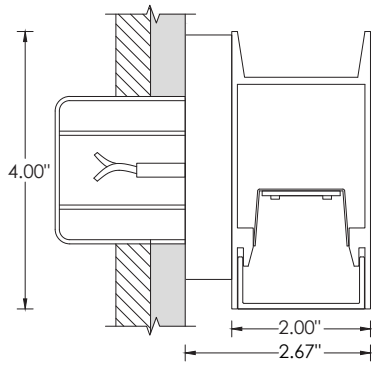
**PATTERNS**

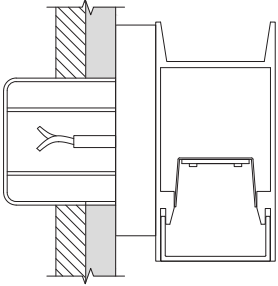
Specify pattern shape and overall dimensions as shown below  
 Patterns are connected with fully illuminated 12"x12" L-shaped sections  
 Please consult factory for custom patterns and shapes not shown below



L-SHAPE	U-SHAPE
Provide dimensions of AxB Example: L - 6'x8'	Provide dimensions of AxBxC Example: U - 8'x10'x6"
	

**MOUNTING DETAILS**



POWER FEED	NON POWER FEED
<p>2" x 4" SLOTTED JUNCTION BOX (BY OTHERS)</p> 	<p>MOUNTING SCREWS (BY OTHERS)</p> 