

3G LIGHTING

3G-PM2M5

2 LIGHT PENDANT
MINI MADISON

Extruded aluminum housing with fabricated mitered corners
Housing designed with a beveled edge and no visible hardware
Solid aluminum double gimbal with dual axis adjustability
Standard 95+ CRI LED system with performance up to 143 LPW
Delivered lumen range per fixture head up to 2000lm at 95+ CRI
Regressed LED source for enhanced glare control
10° to 90° beam angle options suitable for various applications
Companion to 3G's Madison product family



PROJECT:		TYPE:	
CATALOG#:		DATE:	QTY:

CAT. NO	LUMEN OUTPUT (PER FIXTURE HEAD)**	CRI	COLOR TEMP	BEAM ANGLE
3G-PM2M5	10 - 1000 LUMENS (2000 TOTAL) 15 - 1500 LUMENS (3000 TOTAL) 20 - 2000 LUMENS (4000 TOTAL)	H95 - 95+ CRI	27K - 2700K 30K - 3000K 35K - 3500K 40K - 4000K	10D - 10° 20D - 20° 40D - 40° 60D - 60° 90D - 90° *
	All lumen outputs are delivered lumens at 95+ CRI			*90D optic supplied with lens Not available with other lens options

VOLTAGE	DRIVER	GIMBAL FINISH	HOUSING FINISH
UNV - 120/277V 120 - 120V	DIM - 0-10V (100-1%) LE - PHASE DIM (TRIAC/ELV, 100-1%) *	NG - NATURAL ALUMINUM BG - BLACK GIMBAL WG - WHITE GIMBAL	BK - BLACK WH - WHITE SV - SILVER CF - CUSTOM
	*Phase dimming available in 120V only		*Housing interior & exterior will be powder coated the same color

CABLE LENGTH	CANOPY	OPTIONS
60" - 60" 120" - 120"	WCN - WHITE (STANDARD) BCN - BLACK	2C - 2 CIRCUIT BC - BLACK CABLE SF - SOFTENING LENS SB - SANDBLASTED LENS LS - LINEAR SPREAD LENS HXB - BLACK HEXCELL LOUVER
		*Lens option not available with 90D optic Maximum 2 optical accessories per fixture head

****** 3G has upgraded our LED system and overall performance at no additional cost. We now offer 95+CRI as standard. All lumen outputs are delivered lumens. This upgraded LED system is more efficient than our previous 80CRI, 90CRI, and 97CRI options. Please see the last page of this spec sheet to cross-reference old lumen outputs with our new, 95+CRI lumen output options

PERFORMANCE (PER FIXTURE HEAD)

LUMEN OUTPUT	DELIVERED LUMENS	SYSTEM WATTS	EFFICACY (LPW)
1000	1000	8.5	117
1500	1500	13.5	111
2000	2000	18.5	108

BASED ON 95+ CRI, 3500K, 40D OPTIC
Lumen output and actual wattage may vary +/- 5%

MULTIPLIERS

BEAM ANGLE	
10D	0.97
20D	1.20
40D	1.00
60D	1.02
90D	0.90

COLOR TEMP	
2700K	0.98
3000K	1.00
3500K	1.00
4000K	1.02

HOUSING

Extruded aluminum housing with fabricated mitered corners
Housing design features a beveled edge and no visible hardware
Integral driver compartment fabricated in cold rolled steel
Standard polyester powder coated interior and exterior
available in matte white, matte black, and matte silver

ADJUSTABILITY

Solid aluminum double gimbal with dual axis adjustability
Each double gimbal can be locked in place

OPTICS

Proprietary anodized, aluminum reflectors
Beam angle available in 10°, 20°, 40° and 60°, and 90°
Reflectors are field replaceable
10° and 20° reflectors are multi-faceted (not interchangeable with other options)

LED SYSTEM

Standard 95+ CRI
Color consistency <2 SDCM
Available in 27K, 30K, 35K, and 40K
L90 > 50,000 hours

ELECTRICAL

Standard 0-10V, constant current drivers
100-1% dimming range and >0.9 power factor
120V Forward Phase/Reverse Phase driver option (100-1%)
Integral drivers are easily accessible through luminaire aperture

MOUNTING

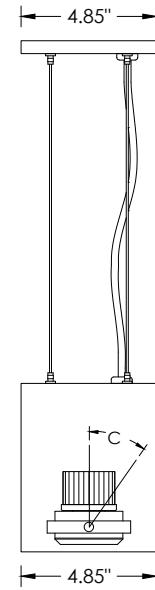
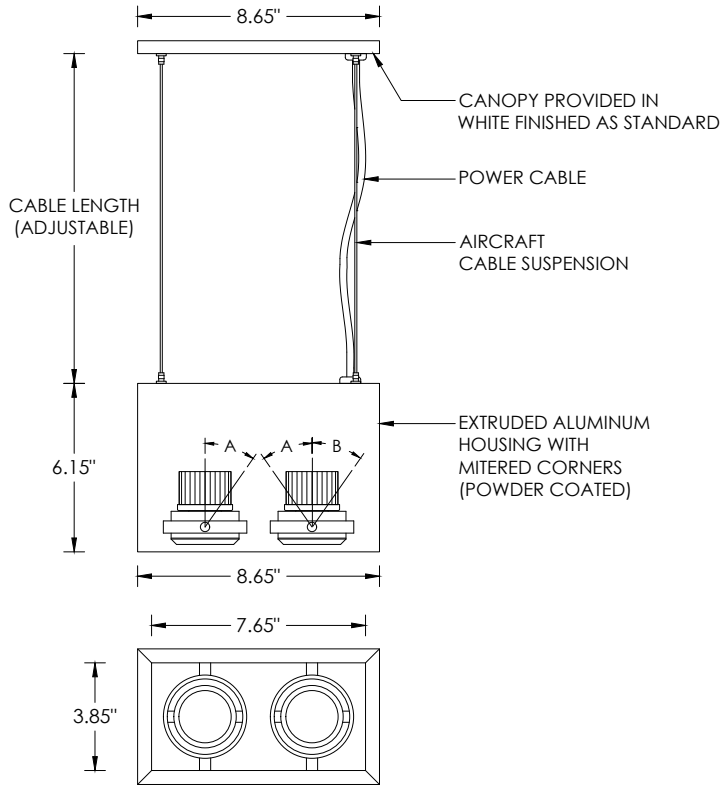
Suitable for various ceiling applications (see mounting details)
Aircraft cable suspension with adjustable locking fasteners
Power feed cable provided with clear braided finish as standard
All mounting canopies provided in white finish as standard
Power feed canopy mounts to a standard junction box

LISTING

ETL listed and conforms to UL1598 standard
Certified to CSA22.2 NO.250.0.
Rated for dry or damp locations

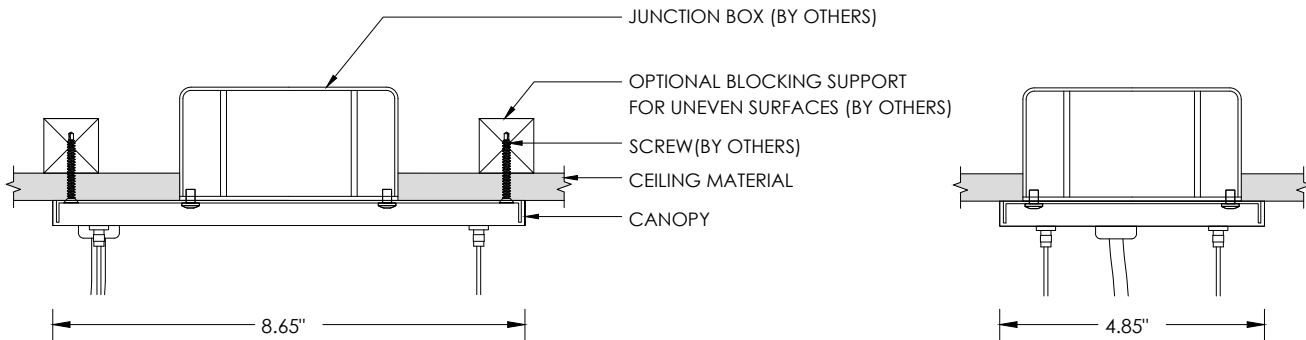
WARRANTY

5 year limited warranty
LED system rated for operation in ambient environments up to 25°C



LUMEN OUTPUT	A	B	C
1000lm to 2000lm	20°	30°	25°

MOUNTING DETAILS



LUMEN OUTPUT REFERENCE CHART

3G has upgraded our LED system and overall performance at no additional cost. We now offer 95+CRI as standard. All lumen outputs are delivered lumens. This new LED system is more efficient than our previous 80CRI, 90CRI, and 97CRI options. Please use these charts to cross-reference old lumen outputs with our new, 95+CRI lumen output options

80CRI REFERENCE CHARTS

MATCH THE GRADIENT SHADE FROM THE OLD LUMEN OUTPUT CHART TO THE NEW LUMEN OUTPUT OPTION

OLD 80CRI SPECS			
LUMEN OUTPUT	DELIVERED LUMENS	SYSTEM WATTS	EFFICACY (LPW)
1000	1015	10.2	100
1500	1400	13.9	101
2200	2194	22.0	100

NEW 95+CRI SPECS			
LUMEN OUTPUT	DELIVERED LUMENS	SYSTEM WATTS	EFFICACY (LPW)
1000	1000	8.9	113
1500	1500	14.1	106
2000	2000	19.3	104

90CRI REFERENCE CHARTS

MATCH THE GRADIENT SHADE FROM THE OLD LUMEN OUTPUT CHART TO THE NEW LUMEN OUTPUT OPTION

OLD 90CRI SPECS			
LUMEN OUTPUT	DELIVERED LUMENS	SYSTEM WATTS	EFFICACY (LPW)
1000	893	10.2	88
1500	1232	13.9	89
2200	1931	22.0	88

NEW 95+CRI SPECS			
LUMEN OUTPUT	DELIVERED LUMENS	SYSTEM WATTS	EFFICACY (LPW)
1000	1000	8.9	113
1500	1500	14.1	106
2000	2000	19.3	104