

3G LIGHTING

3G-48RMSL

4.8" RECESSED MINI MADISON SLOT
TRIM, TRIMLESS & FLANGELESS

Designed for continuous runs in various configurations
Suitable for drywall, wood, and various architectural ceilings
50mm machined aluminum double gimbals. Adjustable and lockable
Individual fixture heads can slide within the channel
Easily adjustable in the field for maximum flexibility
Lumen range up to 1500lm (80+, 90+, and 97+ CRI options)
1% dimming standard with several integral driver options



ORDERING INFORMATION

PROJECT:	<input type="text"/>	TYPE:	<input type="text"/>
CATALOG #:	<input type="text"/>	DATE:	<input type="text"/>

CAT. NO	LUMEN OUTPUT	CRI	COLOR TEMP	BEAM ANGLE	VOLTAGE	DRIVER
3G-48RMSL	10 - 1000 LUMENS	S80 - 80+CRI (STANDARD)	27K - 2700K	40D - 40°	UNV-120/277V	DIM - 0-10V (STANDARD 100-1%)
	15 - 1500 LUMENS	H90 - 90+ CRI	30K - 3000K	60D - 60°	120 - 120V ¹	DHL2 - LUTRON HI-LUME LDE (100-1% ECOSYSTEM)
		H97 - 97+ CRI	35K - 3500K		347 - 347V (0-10V ONLY)	DALI - DALI (100-1%)
			40K - 4000K			LE - PHASE DIMMING ¹ (TRIAC/ELV, 100-1%, 120V ONLY)
						DO1 - 0-10V (100-0.1%)
						DMX - DMX (100-0%)

FLANGE TYPE	GIMBAL FINISH	HOUSING	OPTIONS	LENGTH (FEET)	LAMP SPACING
WT - WHITE TRIM	NG - NATURAL ALUMINUM	BK - BLACK (STANDARD)	CP - CHICAGO PLENUM	S - ___' (STRAIGHT RUN)	12 - 12"
XTR - TRIMLESS	BG - BLACK	WH - WHITE	2C - 2 CIRCUIT	L - ___' X ___' (L-SHAPE)	18 - 18"
FX - FLANGELESS	WG - WHITE		SF50 - SOFTENING LENS	U - ___' X ___' X ___' (U-SHAPE)	24 - 24"
			LS50 - LINEAR SPREAD	R - ___' X ___' (RECTANGLE/SQUARE)	CUS (xx)- CUSTOM Specify number of fixture heads (XX)
			HXB50 - BLACK HEXCELL LOUVER		
			EMR - EMERGENCY BATTERY ²		
			Maximum 2 optical accessories	Available in 6" increments	

¹ Forward phase/Reverse phase driver available in 120V only
² Emergency battery installed remotely by others. Not accessible through the inside of the fixture

PERFORMANCE CHART (Per fixture head)

80+ CRI (Based on 35K and 40° Beam Angle)

LUMEN OUTPUT	SYSTEM WATTS	DELIVERED LUMENS	EFFICACY LM/W
1000 LUMENS	10.0	1007	100.4
1500 LUMENS	14.0	1409	100.4

90+ CRI (Based on 35K and 40° Beam Angle)

LUMEN OUTPUT	SYSTEM WATTS	DELIVERED LUMENS	EFFICACY LM/W
1000 LUMENS	10.0	862	85.9
1500 LUMENS	16.0	1379	85.9

97+ CRI (Based on 35K and 40° Beam Angle)

LUMEN OUTPUT	SYSTEM WATTS	DELIVERED LUMENS	EFFICACY LM/W
1000 LUMENS	10.0	757	75.4
1500 LUMENS	16.0	1211	75.4

LUMEN OUTPUT ADJUSTMENT FACTORS: (27K=0.945) (30K=0.985) (35K=1.00) (40K=1.01)

EDITION 06/19





3G-48RMSL

LIGHTING 4.8" RECESSED MINI MADISON SLOT - TRIM, TRIMLESS & FLANGELESS

TECHNICAL

HOUSING

Housing constructed in extruded aluminum and cold rolled steel
Designed for continuous runs in linear, right angle, square, and rectangular configurations
Individual fixture heads can slide left or right within the channel. Easily adjustable in the field
Maximum ceiling thickness of 1.75". Consult factory for modifications
Standard matte black powder coated finish with optional matte white finish

TRIM

Trim flange with matte white powder coated finish and minimal 0.375" overlap

TRIMLESS

Extruded aluminum mudding flange
Integral aluminum blocking support provided to ensure fixture is properly secured within ceiling structure

ADJUSTABILITY

Solid aluminum 50mm double gimbal with dual axis adjustability
Each double gimbal can be locked in place

OPTICS

Regressed LED source for enhanced glare control
Proprietary anodized, aluminum reflectors are field replaceable
Available in 40° and 60°

ELECTRICAL

Standard 0-10V, 100-1% dimming and 0.9 power factor
Standard 120/277V universal voltage drivers. Optional 347V 0-10V driver
Lutron EcoSystem and eldoLED Dali options available with 100-1% dimming
120V Forward Phase/Reverse Phase driver option with 100-1% dimming
Fixture is pre-wired and rated for through branch wiring
Individual sections can be wired independently
All drivers are integral and easily accessible through the aperture
Emergency Battery: 90 minutes

LED SYSTEM

Citizen LED module (field replaceable)
Color consistency < 2 SDCM
Standard (80+CRI). Optional (90+ and 97+CRI)
Available in 27K, 30K, 35K, and 40K
Average rated life of > 50,000 hours
5-year warranty

MOUNTING

New construction housing suspended via 1/4" threaded rod or suspension cables
Trim fixture designed for use in drywall, wood, and other architectural ceiling materials
Trimless fixture designed for use in drywall, mud-in ceiling applications
Flangeless fixture designed for use in wood ceilings

LISTING

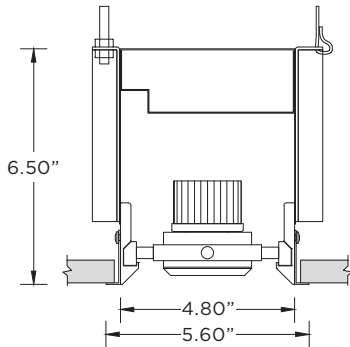
ETL listed and tested to UL standards. Suitable for dry and damp locations

WARRANTY

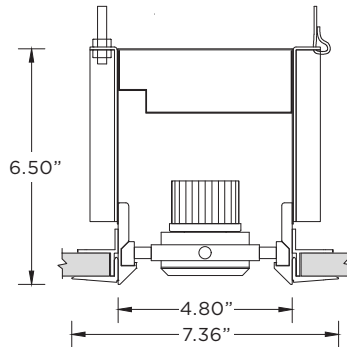
5 Year warranty on LED and drivers
Manufacturer 1-year warranty for defects in material and workmanship under normal use
Ambient temperature at fixture should not exceed 25°C

DRAWINGS AND DIMENSIONS

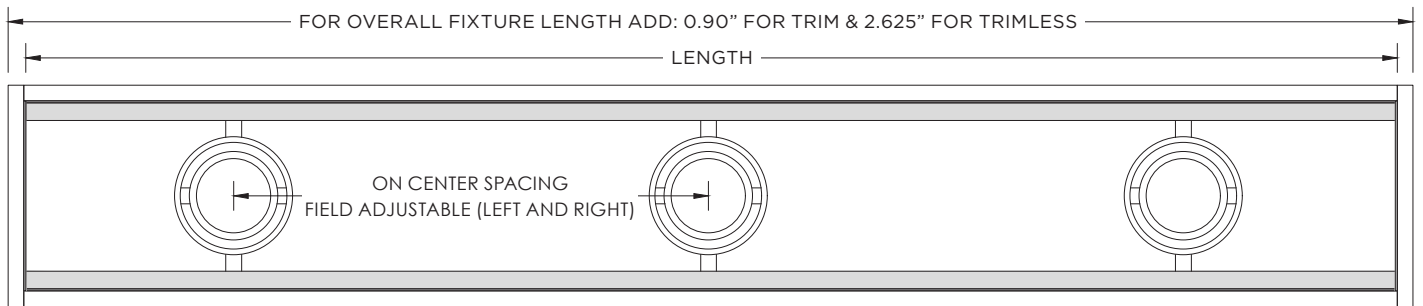
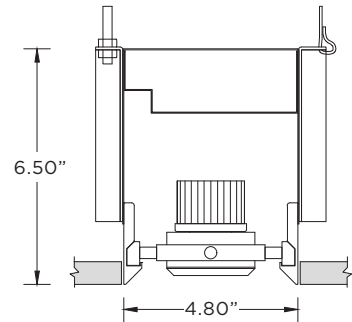
WT - WHITE TRIM



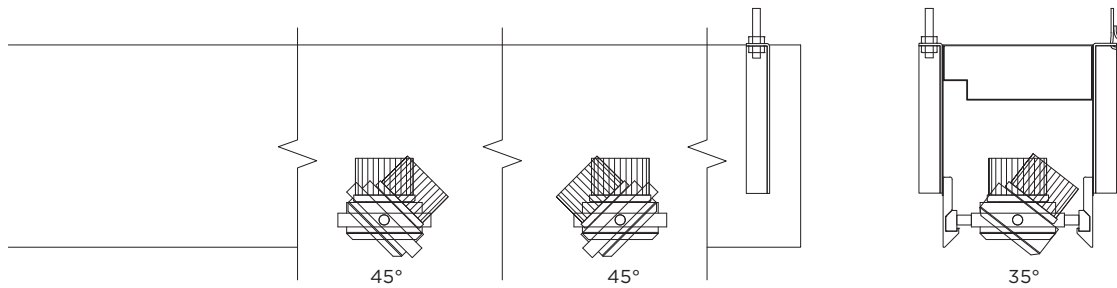
XTR - TRIMLESS



FX - FLANGELESS

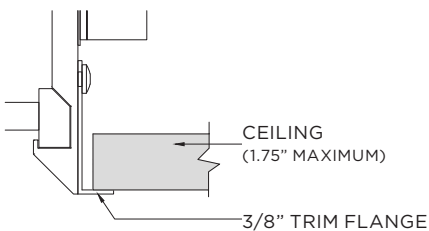


GIMBAL ADJUSTABILITY



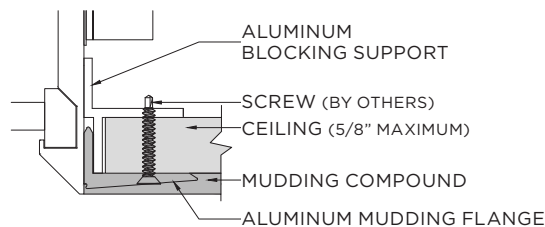
MOUNTING

WT - WHITE TRIM



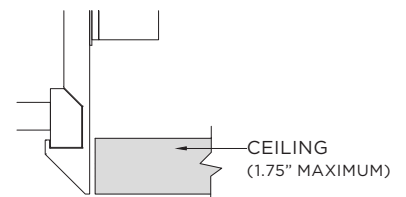
CEILING CUT-OUT
5.10" x (LENGTH + 0.45")

XTR - TRIMLESS



CEILING CUT-OUT
5.25" x (LENGTH + 0.45")

GX - FLANGELESS



CEILING CUT-OUT
4.87" x (LENGTH + 0.125")