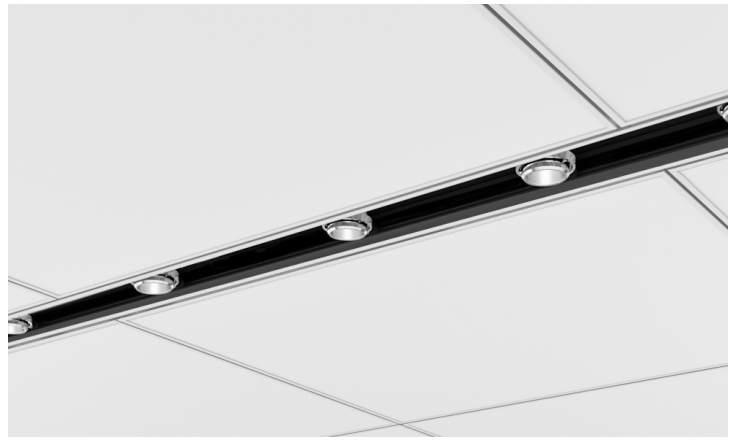


# 3G LIGHTING

## 3G-48RMSL

4.8" RECESSED MINI MADISON SLOT  
GRID CEILING

Designed for continuous runs in various configurations  
Suitable for various grid ceilings  
50mm machined aluminum double gimbals. Adjustable and lockable  
Individual fixture heads can slide within the channel  
Easily adjustable in the field for maximum flexibility  
Lumen range up to 1500lm (80+, 90+, and 97+ CRI options)  
1% dimming standard with several integral driver options



### ORDERING INFORMATION

<b>PROJECT:</b>	<input type="text"/>	<b>TYPE:</b>	<input type="text"/>
<b>CATALOG #:</b>	<input type="text"/>	<b>DATE:</b>	<input type="text"/>

CAT. NO	LUMEN OUTPUT	CRI	COLOR TEMP	BEAM ANGLE	VOLTAGE	DRIVER
<b>3G-48RMSL</b>	10 - 1000 LUMENS	<b>S80</b> - 80+CRI (STANDARD)	<b>27K</b> - 2700K	<b>40D</b> - 40°	<b>UNV</b> -120/277V	<b>DIM</b> - 0-10V (STANDARD 100-1%)
	15 - 1500 LUMENS	<b>H90</b> - 90+ CRI <b>H97</b> - 97+ CRI	<b>30K</b> - 3000K <b>35K</b> - 3500K <b>40K</b> - 4000K	<b>60D</b> - 60°	<b>120</b> - 120V <sup>1</sup> <b>347</b> - 347V (0-10V ONLY)	<b>DHL2</b> - LUTRON HI-LUME LDE (100-1% ECOSYSTEM) <b>DALI</b> - DALI (100-1%) <b>LE</b> - PHASE DIMMING <sup>1</sup> (TRIAC/ELV, 100-1%, 120V ONLY) <b>DO1</b> - 0-10V (100-0.1%) <b>DMX</b> - DMX (100-0%)

GRID TYPE	GIMBAL FINISH	HOUSING	OPTIONS	LENGTH (FEET)	LAMP SPACING
<b>GC1</b> - 9/16 LAYIN <b>GC1S</b> - 9/16 TEGULAR <b>GC2</b> - 15/16 LAYIN <b>GC2S</b> - 15/16 TEGULAR <b>GC3</b> - 9/16 SLOT TEE TEGULAR	<b>NG</b> - NATURAL ALUMINUM <b>BG</b> - BLACK <b>WG</b> - WHITE	<b>BK</b> - BLACK (STANDARD) <b>WH</b> - WHITE	<b>CP</b> - CHICAGO PLENUM <b>2C</b> - 2 CIRCUIT <b>SF50</b> - SOFTENING LENS <b>LS50</b> - LINEAR SPREAD <b>HXB50</b> - BLACK HEXCELL LOUVER <b>EMR</b> - EMERGENCY BATTERY <sup>2</sup>  Maximum 2 optical accessories	<b>S</b> - ___' (STRAIGHT RUN) <b>L</b> - ___' X ___' (L-SHAPE) <b>U</b> - ___' X ___' X ___' (U-SHAPE) <b>R</b> - ___' X ___' (RECTANGLE/SQUARE)  Available in 6" increments	<b>12</b> - 12" <b>18</b> - 18" <b>24</b> - 24" <b>CUS (xx)</b> - CUSTOM Specify number of fixture heads (XX)

<sup>1</sup> Forward phase/Reverse phase driver available in 120V only

<sup>2</sup> Emergency battery installed remotely by others. Not accessible through the inside of the fixture

### PERFORMANCE CHART (Per fixture head)

#### 80+ CRI (Based on 35K and 40° Beam Angle)

LUMEN OUTPUT	SYSTEM WATTS	DELIVERED LUMENS	EFFICACY LM/W
1000 LUMENS	10.0	1007	100.4
1500 LUMENS	14.0	1409	100.4

#### 90+ CRI (Based on 35K and 40° Beam Angle)

LUMEN OUTPUT	SYSTEM WATTS	DELIVERED LUMENS	EFFICACY LM/W
1000 LUMENS	10.0	862	85.9
1500 LUMENS	16.0	1379	85.9

#### 97+ CRI (Based on 35K and 40° Beam Angle)

LUMEN OUTPUT	SYSTEM WATTS	DELIVERED LUMENS	EFFICACY LM/W
1000 LUMENS	10.0	757	75.4
1500 LUMENS	16.0	1211	75.4

LUMEN OUTPUT ADJUSTMENT FACTORS: (27K=0.945) (30K=0.985) (35K=1.00) (40K=1.01)

EDITION 06/19



**3G-48RMSL**

LIGHTING 4.8" RECESSED MINI MADISON SLOT - GRID CEILING

## TECHNICAL

### HOUSING

Housing constructed in extruded aluminum and cold rolled steel  
Designed for continuous runs in linear, right angle, square, and rectangular configurations  
Individual fixture heads can slide left or right within the channel. Easily adjustable in the field  
Maximum ceiling thickness of 1.75". Consult factory for modifications  
Standard matte black powder coated finish with optional matte white finish

### ADJUSTABILITY

Solid aluminum 50mm double gimbal with dual axis adjustability  
Each double gimbal can be locked in place

### OPTICS

Regressed LED source for enhanced glare control  
Proprietary anodized, aluminum reflectors are field replaceable  
Available in 40° and 60°

### ELECTRICAL

Standard 0-10V, 100-1% dimming and 0.9 power factor  
Standard 120/277V universal voltage drivers. Optional 347V 0-10V driver  
Lutron EcoSystem and eldoLED Dali options available with 100-1% dimming  
120V Forward Phase/Reverse Phase driver option with 100-1% dimming  
Fixture is pre-wired and rated for through branch wiring  
Individual sections can be wired independently  
All drivers are integral and easily accessible through the aperture  
Emergency Battery: 90 minutes

### LED SYSTEM

Citizen LED module (field replaceable)  
Color consistency < 2 SDCM  
Standard (80+CRI). Optional (90+ and 97+CRI)  
Available in 27K, 30K, 35K, and 40K  
Average rated life of > 50,000 hours  
5-year warranty

### MOUNTING

New construction housing suspended via 1/4" threaded rod or suspension cables  
Suitable for various grid ceilings applications (see mounting details)

### LISTING

ETL listed and tested to UL standards. Suitable for dry and damp locations

### WARRANTY

5 Year warranty on LED and drivers  
Manufacturer 1-year warranty for defects in material and workmanship under normal use  
Ambient temperature at fixture should not exceed 25°C

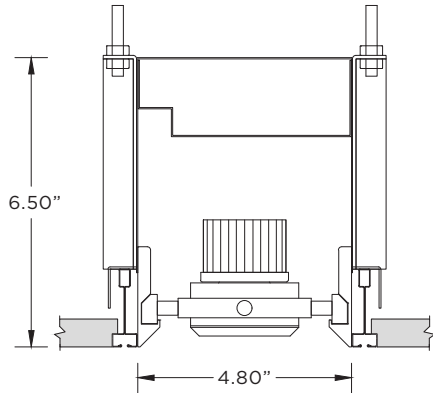


**3G-48RMSL**

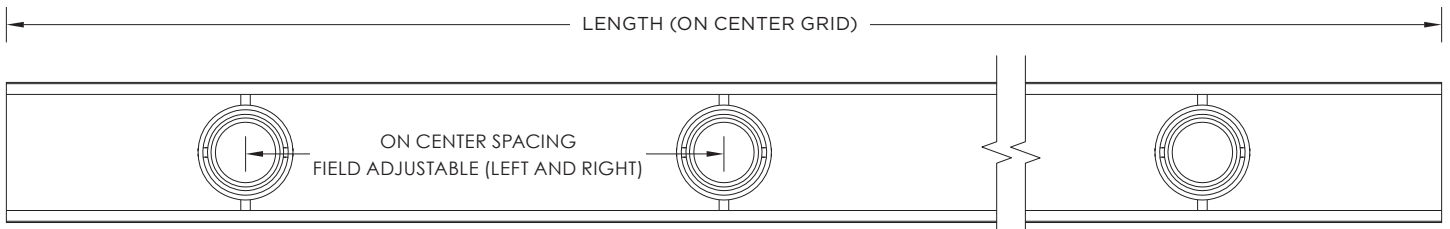
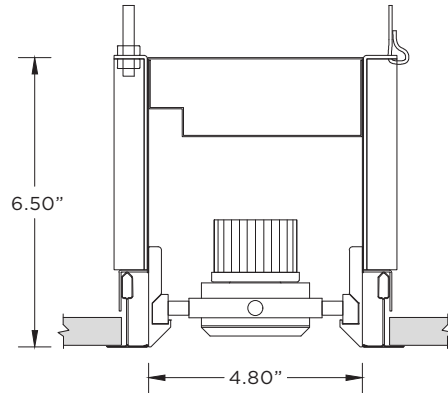
LIGHTING 4.8" RECESSED MINI MADISON SLOT - GRID CEILING

**DRAWINGS AND DIMENSIONS**

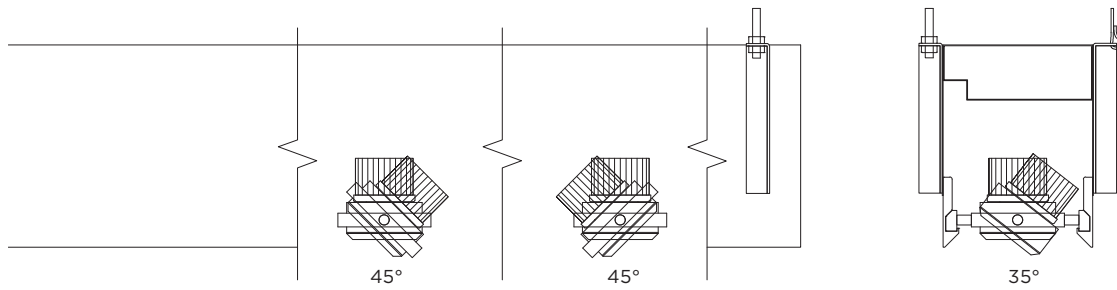
**9/16" SLOT TEE**



**15/16" LAYIN TEE**



**GIMBAL ADJUSTABILITY**



**MOUNTING**

**GC1 - 9/16" LAYIN**

**GC1S - 9/16" TEGULAR**

**GC2 - 15/16" LAYIN**

**GC2S - 15/16" TEGULAR**

**GC3 - 9/16" SLOT TEE TEGULAR**

