

3G LIGHTING

3G-1SLI

1.5" LINEAR
SURFACE MOUNTED

Narrow 1.5" aperture with one piece extruded aluminum housing
Individual or continuous runs available in multiple run configurations
Direct distribution with multiple lumen output options
LED system with performance up to 118 lumens per watt
Extruded acrylic lens with optimal performance and glare control
Asymmetric optics available
1% dimming standard with several driver options



PROJECT:		TYPE:	
CATALOG#:		DATE:	QTY:

CAT. NO	LUMEN OUTPUT	CRI	COLOR TEMP	VOLTAGE
3G-1SLI	D250 - 250 LM/FT ¹ D500 - 500 LM/FT D750 - 750 LM/FT D1000 - 1000 LM/FT ² DC__ - CUSTOM OUTPUT (SPECIFY LM/FT) *	S80 - 80+ CRI ³ H90 - 90+ CRI	27K - 2700K 30K - 3000K 35K - 3500K 40K - 4000K	UNV - 120/277V 347 - 347V ⁴
<small>*Specify custom lumen outputs in 50lm increments (ie: DC600, DC650, DC700) Custom output cannot exceed D1000</small>				

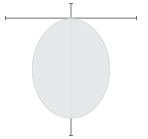
DRIVER	LENS OPTION	FINISH	OPTIONS
DIM - 0-10V (100-1%) D01 - 0-10V (100-0.1%) DALI - DALI (100-1%) ⁵ DHL2 - LUTRON HI-LUME (1% ECOSYSTEM) DMX - DMX (100-0%)	FL - FLUSH LENS DWSO - WIDESPREAD LENS (BATWING) DASY - ASYMMETRIC LENS	WH - WHITE BK - BLACK SV - SILVER <small>All mounting canopies provided in white as standard</small>	EMB - EMERGENCY BATTERY * (INTEGRAL) EMC - EMERGENCY CIRCUIT <small>*Minimum 4' section</small>

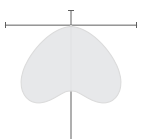
RUN TYPE
S - ___' (STRAIGHT) * L - ___'X ___' (L-SHAPE) U - ___'X ___'X ___' (U-SHAPE) R - ___'X ___' (RECTANGLE/SQUARE) T - ___'X ___' (T-SHAPE) X - ___'X ___' (X-SHAPE) CUS - ___' (CUSTOM LAYOUT - PROVIDE DRAWING)
<small>*Individual units available from 2' to 8' Continuous runs available in 1" increments as standard</small>


¹ D250 (250LM/FT) not available in 2' length with DALI, D01, DMX, or DHL2. Specify minimum DC350 for those driver options
² D1000 (1000LM/FT) not available with H90 (90+ CRI)
³ S80 (80+ CRI) not available with 27K
⁴ 347 available in "DIM" 0-10V only (100-1%)
⁵ DALI-2 (Type 6) provided as standard. Please consult factory for DALI (Type 8) options

DELIVERED LUMENS PER FOOT BASED ON 80+ CRI 3500K LED SOURCE

LENS OPTION

FLUSH	DELIVERED LUMENS (LM/FT)	SYSTEM WATTS (W/FT)	EFFICACY (LPW)
	250	2.2	112
	500	4.4	112
	750	6.8	110
	1000	9.3	107

WIDESPREAD	DELIVERED LUMENS	SYSTEM WATTS	EFFICACY (LPW)
	250	2.2	112
	500	4.5	112
	750	6.8	110
	1000	9.4	107

ASYMMETRIC	DELIVERED LUMENS (LM/FT)	SYSTEM WATTS (W/FT)	EFFICACY (LPW)
	250	2.1	118
	500	4.2	118
	750	6.5	115
	1000	8.9	112

LUMEN OUTPUT MULTIPLIERS

COLOR TEMP	80+ CRI	90+ CRI
2700K	N/A	0.78
3000K	0.97	0.83
3500K	1.00	0.86
4000K	1.02	0.88

HOUSING

Extruded aluminum housing with narrow 1.5" aperture
 Die cast aluminum end caps add 1/4" to each end of luminaire
 Individual units and continuous runs available in 1" increments as standard
 24-gauge LED reflector with high reflectance white powder coated finish
 Standard polyester powder coated matte white finish. Optional finishes available

OPTICS

Extruded, satin acrylic lens designed for optimal performance and glare control. Up to 8' continuous
 High performance asymmetric optics available

LISTING

ETL listed and conforms to UL1598 standard. Certified to CSA22.2 NO.250.0. Rated for indoor dry or damp locations

WARRANTY

5 Year Warranty on LED and drivers
 Manufacturer 1 Year Warranty for defects in material and workmanship under normal use
 Ambient temperature at fixture should not exceed 25°C

ELECTRICAL

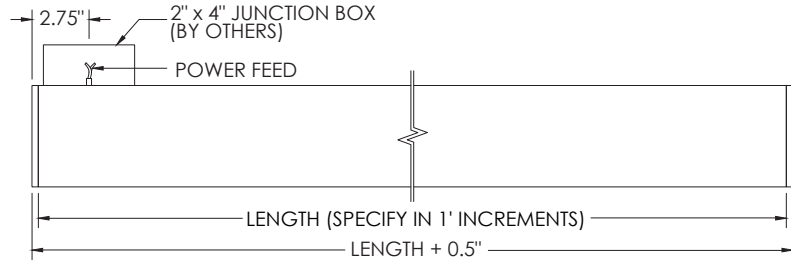
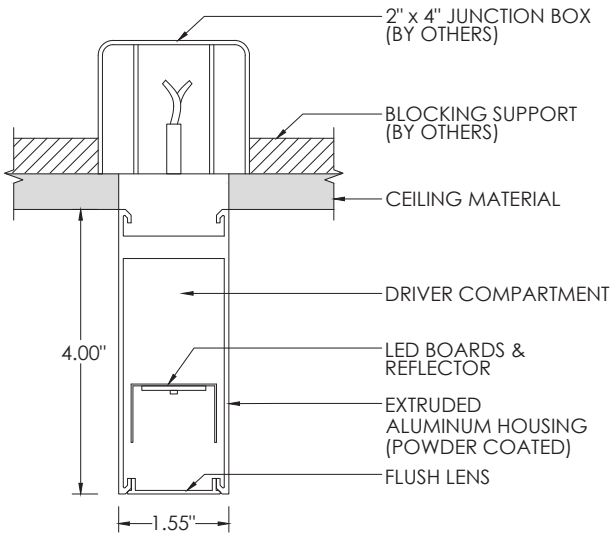
Standard 0-10V, constant current drivers with 100-1% dimming range and >0.9 power factor
 Standard 120/277V universal voltage with several driver options
 Luminaires are pre-wired with factory installed quick connects and branch circuit wiring
 All drivers are integral and easily accessible through luminaire aperture
 Minimum 4' and maximum 6' length for each integral emergency battery. 10W output for 90 minutes

LED SYSTEM

Proprietary LED system with color consistency <3 SDCM
 Available in 27K, 30K, 35K, and 40K
 Standard 80+CRI. Optional 90+CRI
 R9 value of 56 for 90+CRI
 L90 >60,000 hours
 5 Year Warranty

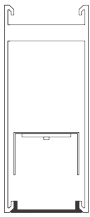
MOUNTING

Toolless installation with 3G's proprietary mounting system
 Internal, toolless joiner system (latch and hook) easily connects multiple sections together
 LED reflectors remain within each fixture section during installation with 3G's click and lock spring system
 Suitable for various architectural ceilings (see mounting details)
 Fixture weight: +/- 2.5 lb/ft

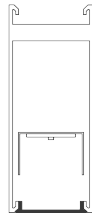


LENS OPTION

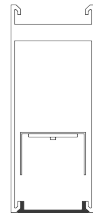
FL - FLUSH



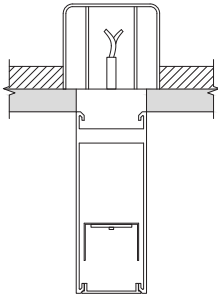
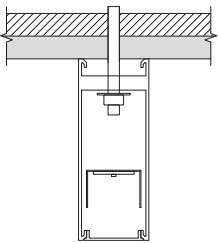
DWSO - WIDESPREAD



DASY - ASYMMETRIC

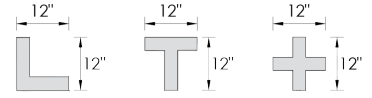


MOUNTING DETAILS

POWER FEED	NON POWER FEED
<p>2" x 4" SLOTTED JUNCTION BOX (BY OTHERS)</p> 	<p>MOUNTING SCREWS (BY OTHERS)</p> 

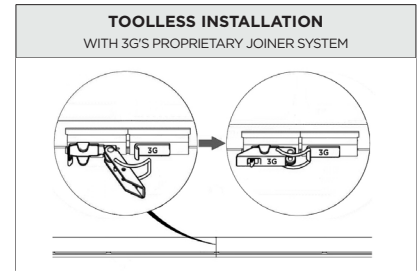
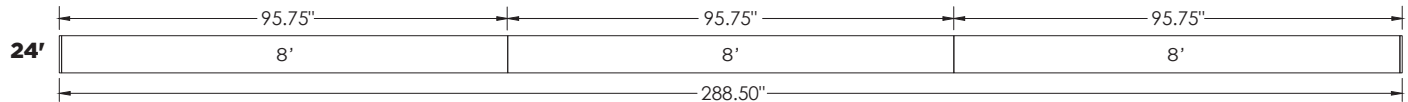
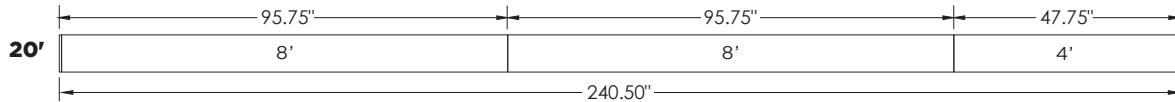
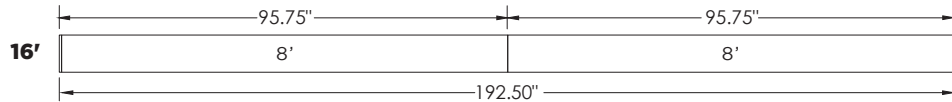
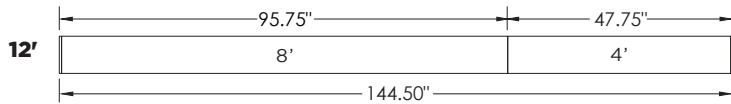
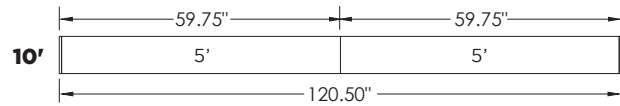
PATTERNS

Specify pattern shape and overall dimensions as shown below
 Patterns are connected with fully illuminated 12"x12" L, T, and X-shaped sections
 Please consult factory for custom patterns and shapes not shown below



L-SHAPE	U-SHAPE	RECTANGLE/SQUARE	T-SHAPE	X-SHAPE
Provide dimensions of AxB Example: L - 6'x8'	Provide dimensions of AxBxC Example: U - 8'x10'x6"	Provide dimensions of AxB Example: R - 10'x8'	Provide dimensions of AxB Example: T - 14'x6'	Provide dimensions of AxB Example: X - 14'x14'

TYPICAL SECTION MOUNTING



NOTE:
 Run lengths and configurations not shown are available in 1" increments as standard