

3G LIGHTING

3G-PDL45RM5

4.5" MINI MADISON CYLINDER
7" AND 11" HEIGHT
DYNAMIC WHITE

4.5" diameter high performance adjustable cylinder
Companion to 3G's Madison product family
Machined aluminum double gimbal. Adjustable and lockable
1.95" Regressed LED source for enhanced glare control
Extruded aluminum housing with powder coated finish
Twist and lock construction and no visible hardware
Dim to Warm and Tunable White LED options up to 2000lm (90+CRI)
1% dimming standard with several integral driver options



3GD 3GT

PROJECT:		TYPE:	
CATALOG#:		DATE:	QTY:

CAT. NO	FIXTURE HEIGHT	LED SOURCE	LUMEN OUTPUT	CRI	BEAM ANGLE
3G-PDL45RM5	7H - 7" HEIGHT * 11H - 11" HEIGHT	DW - DIM TO WARM (1800-3000K) TW - TUNABLE WHITE ¹ (2700-6500K)	08 - 800 LUMENS 12 - 1200 LUMENS 20 - 2000 LUMENS	H90 - 90+ CRI	20D - 20° ² 30D - 30° 40D - 40° 50D - 50° 60D - 60° 90D - 90° *
	<small>*7H available in Dim to Warm only. Maximum 1200lm output (DIM and LE only)</small>				<small>*90D reflector supplied standard with lens</small>

VOLTAGE	DRIVER	HOUSING & INSERT FINISH	GIMBAL FINISH
UNV - 120/277V 120 - 120V	DIM - 0-10V (100-1%) LE - PHASE DIM ³ (TRIAC/ELV, 100-1%) D01 - 0-10V (100-0.1%) ^{1,4} DALI - DALI (100-1%) ^{1,5} DHL2 - LUTRON HI-LUME (1% ECOSYSTEM) DMX - DMX (100-0%) ^{1,4}	WH - WHITE BK - BLACK SV - SILVER CF - CUSTOM RAL COLOR	NG - NATURAL ALUMINUM WG - WHITE BG - BLACK

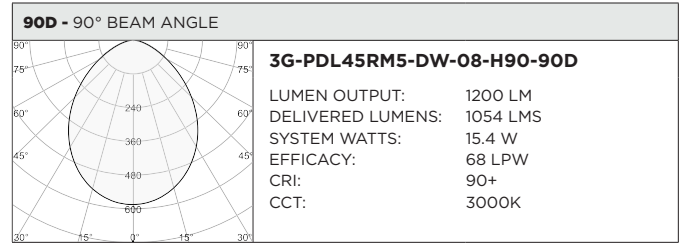
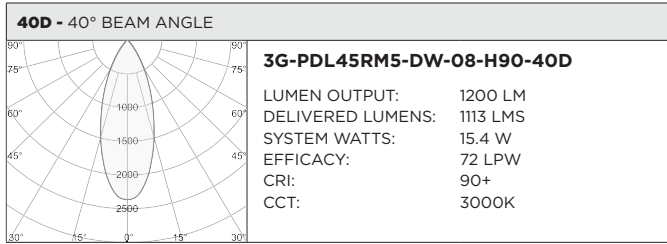
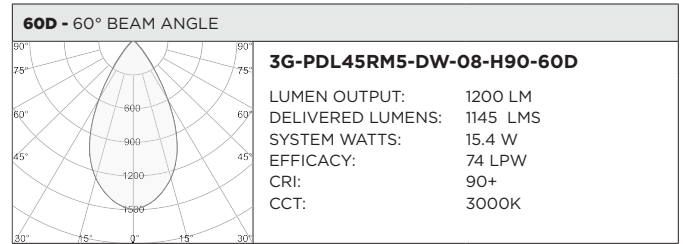
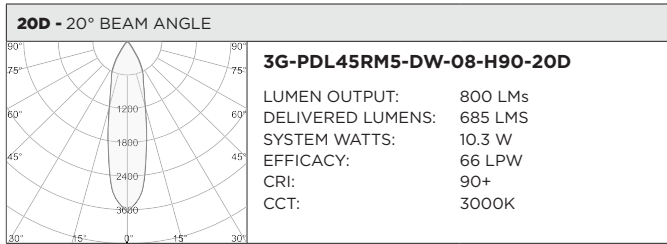
CANOPY	SUSPENSION TYPE	SUSPENSION LENGTH	OPTIONS
WCN - WHITE (STANDARD) BCN - BLACK SCN - SILVER CFW - WHITE CONDUIT FEED CANOPY CFB - BLACK CONDUIT FEED CANOPY CFS - SILVER CONDUIT FEED CANOPY	WC - WHITE CABLE BC - BLACK CABLE RSW - WHITE RIGID STEM RSB - BLACK RIGID STEM RSS - SILVER RIGID STEM	C60 - 60" CABLE C120 - 120" CABLE S48 - 48" STEM S96 - 96" STEM	HXB - HEXCELL LOUVER LS - LINEAR SPREAD LENS SB - SANDBLASTED LENS SF - SOFTENING LENS (SUPPLIED STANDARD) EMR - EMERGENCY BATTERY ⁶ (REMOTE)
		<small>All suspension options are field cuttable</small>	<small>Maximum 1 optical accessory only Not available with 90D reflector option</small>

- ¹ Tunable White option not available in 7" height. 11" model available with D01, DALI and DMX driver options only
- ² 20D reflector available with 800lm option only
- ³ Phase dimming options available in 120V only
- ⁴ Cable suspension not available with D01 and DMX drivers
- ⁵ DALI-2 (Type 6) provided as standard. Consult factory for DALI Type 8 option
- ⁶ Fixture operates at 6500K in emergency mode. Emergency battery installed remotely by others. Not accessible through the inside of the fixture

3GD - Warm Dim
3GT - Tunable White

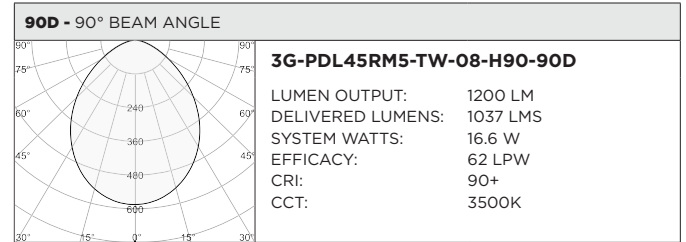
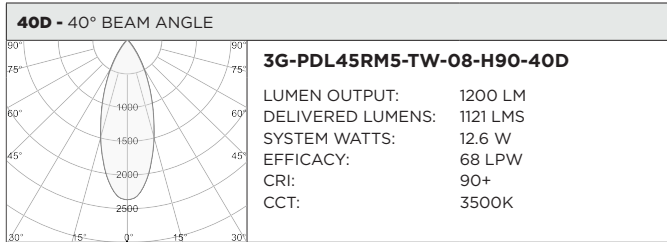
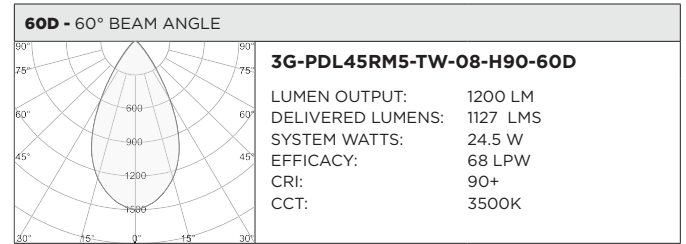
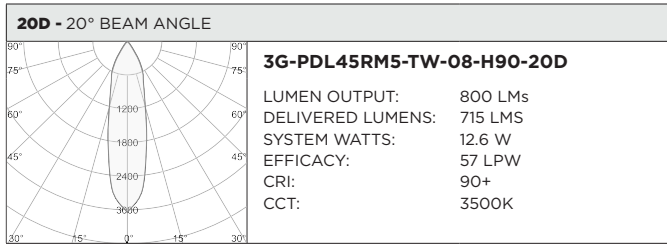
BASED ON 60° BEAM ANGLE AND 3000K SOURCE

LUMEN OUTPUT	90+ CRI		
	DELIVERED LUMENS	SYSTEM WATTS	EFFICACY (LPW)
800LMs	N/A	N/A	N/A
1200LMs	1145	15.4	74
2000LMs	1611	23.2	69



BASED ON 60° BEAM ANGLE

LUMEN OUTPUT	90+ CRI (2700K)			90+ CRI (3500K)			90+ CRI (6500K)		
	DELIVERED LUMENS	SYSTEM WATTS	EFFICACY (LPW)	DELIVERED LUMENS	SYSTEM WATTS	EFFICACY (LPW)	DELIVERED LUMENS	SYSTEM WATTS	EFFICACY (LPW)
800LMs	N/A	N/A	N/A	N/A	N/A	N/A	N/A	N/A	N/A
1200LMs	1076	16.6	65	1127	16.6	68	1266	16.6	76
2000LMs	1523	24.5	62	1558	24.5	64	1824	24.5	74



HOUSING

Extruded aluminum housing with powder coated finish
Twist and lock construction with no visible hardware

BEVELED INSERT

4.5" machined aluminum trim insert feature 3G's Mini Madison double gimbal
Solid aluminum 50mm double gimbal with dual axis adjustability (15°x15°)
Each double gimbal can be locked in place

OPTICS

Proprietary anodized, aluminum reflectors are field replaceable (20° reflector not interchangeable)
Available in 20°, 30°, 40°, 50°, 60° and 90°

MOUNTING

1/2" diameter rigid stem option with sloped ceiling adapter (field cuttable)
Standard, 18-gauge, 5 conductor single circuit braided power feed (black and white finish)
All hardware included for mounting to 4" octagonal junction box
Canopy provided in white finish as standard

WARRANTY

5 Year Warranty on LED and drivers
Manufacturer 1 Year Warranty for defects in material and workmanship under normal use
Ambient temperature at fixture should not exceed 25°C

LISTING

ETL listed and conforms to UL1598 standard. Certified to CSA22.2 No.250.0.
Rated for indoor dry or damp locations

ELECTRICAL

Standard 0-10V, constant current drivers with 100-1% dimming range and >0.9 power factor
Standard 120/277V universal voltage drivers.
120V Forward Phase/Reverse Phase driver option with 100-1% dimming range
eldoLED 0-10V driver option available with 100-0.01% dimming range
eldoLED DALI and Lutron EcoSystem driver options available with 100-1% dimming range
DMX driver option available with 100-0% dimming range
All drivers are integral and easily accessible through fixture aperture

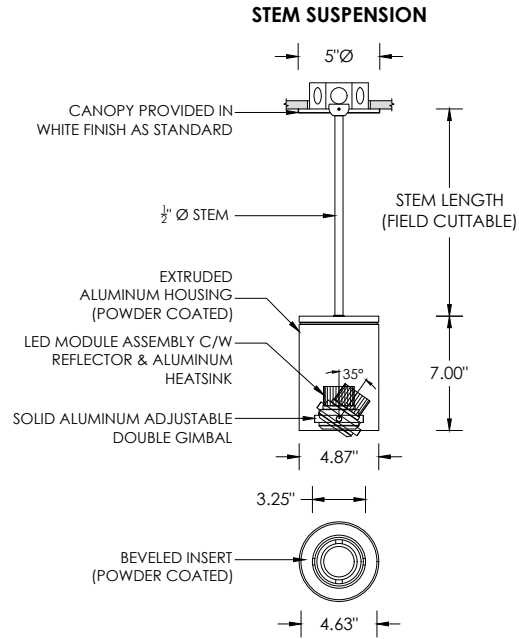
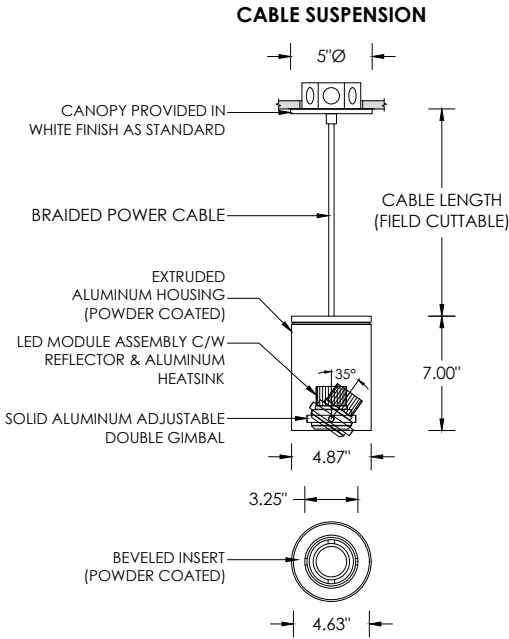
EMERGENCY

Remote emergency battery installed by others (not accessible through fixture aperture)
7W output for 90 minutes (+/- 700lm at 80+ CRI)
CA Title 24 Certified
Maximum remote mounting distance:
50ft (12AWG) or 25ft (14AWG) for fixtures operating at 3000lm or below
30ft (12AWG) or 20ft (14AWG) for fixtures operating above 3000lm
Caution: Emergency Battery utilizes more than one power source and servicing should be performed by qualified personnel

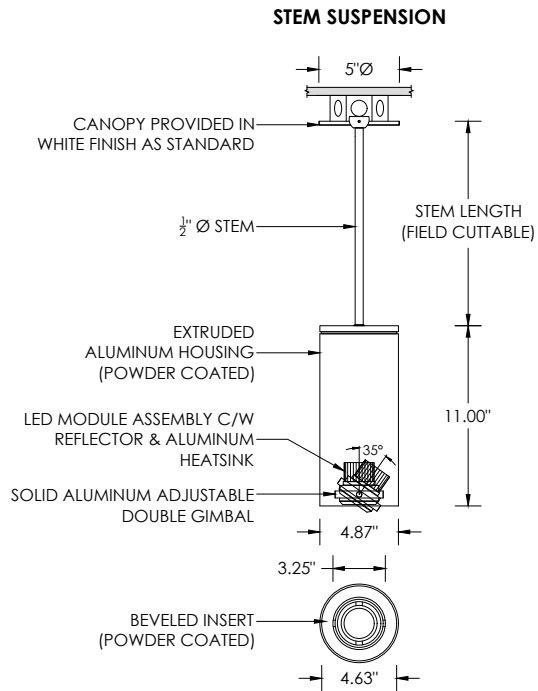
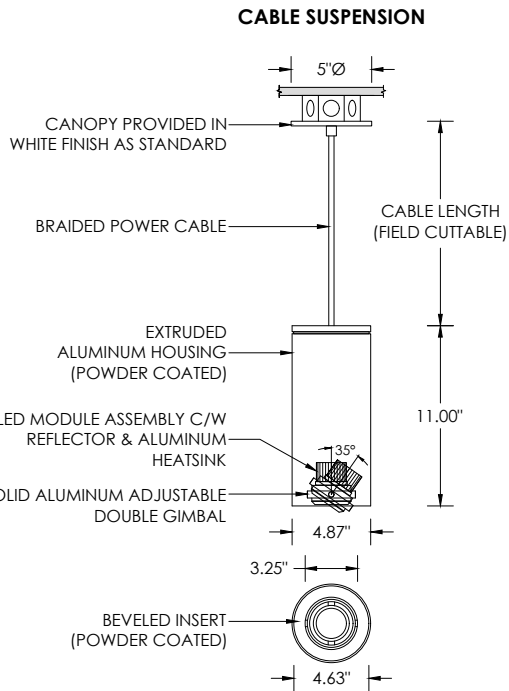
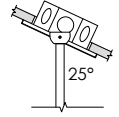
LED SYSTEM

Bridgelux LED module (field replaceable)
Color consistency <3 SDCM
Standard 90+ CRI
Dim to Warm (1800K-3000K)
Tunable White (2700K-6500K)
L70 >50,000 hours
5 Year Warranty

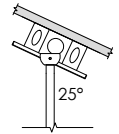
RECESSED 4" OCTAGONAL JUNCTION BOX BY OTHERS
STANDARD CANOPY MOUNT



SUITABLE FOR SLOPED CEILING

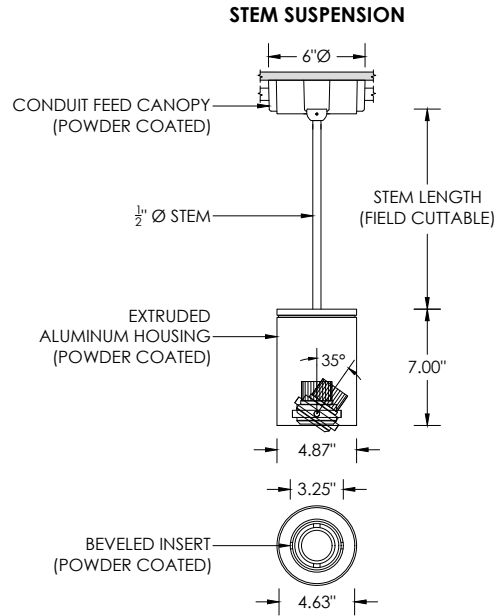
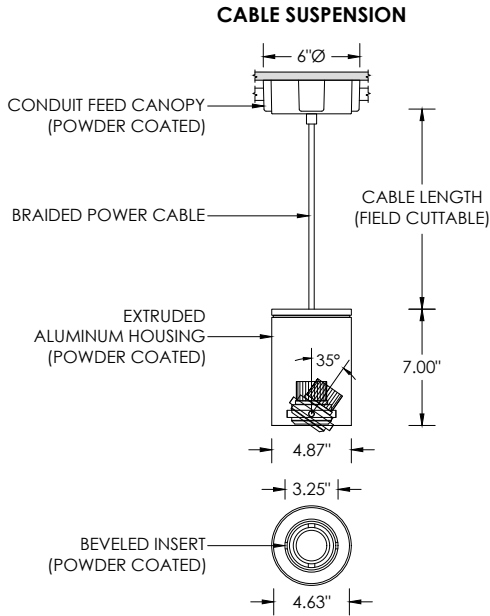


SUITABLE FOR SLOPED CEILING

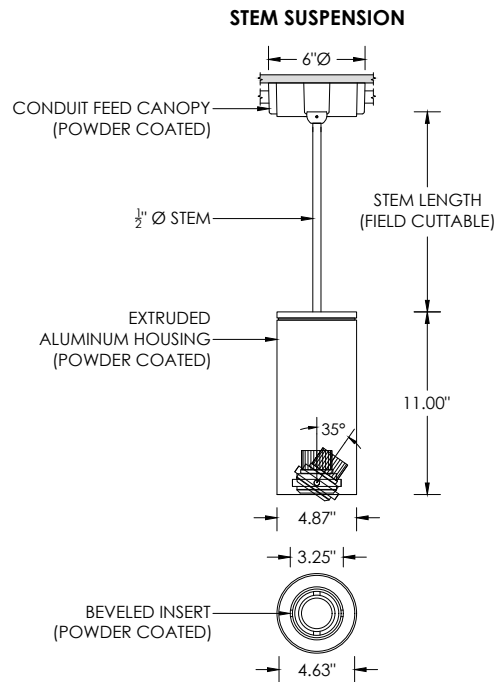
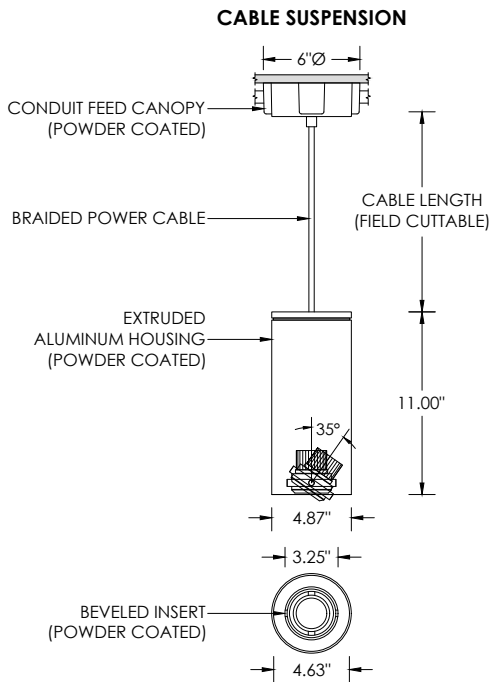
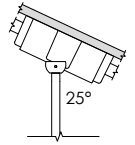


LUMEN OUTPUT	A
Up to 2000lm	15°

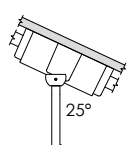
SURFACE 4" OCTAGONAL X 1.5" DEEP JUNCTION BOX BY OTHERS
CONDUIT FEED CANOPY MOUNT (CFX OPTION)



SUITABLE FOR SLOPED CEILING

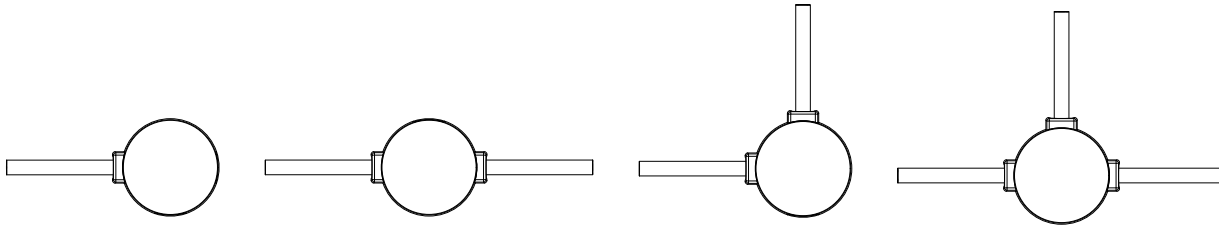


SUITABLE FOR SLOPED CEILING

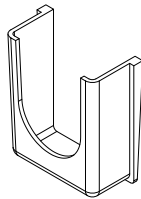


LUMEN OUTPUT	A
Up to 2000lm	15°

CONDUIT FEED CANOPY MOUNTING OPTIONS



CONDUIT COVER
3 PROVIDED WITH EACH
CONDUIT FEED CANOPY



BLANK
2 PROVIDED WITH EACH
CONDUIT FEED CANOPY

