



## 3G-SDL45RM5

4.5" MINI MADISON CYLINDER  
7" AND 11" HEIGHT  
DYNAMIC WHITE

4.5" diameter high performance adjustable cylinder  
Companion to 3G's Madison product family  
Machined aluminum double gimbal. Adjustable and lockable  
1.95" Regressed LED source for enhanced glare control  
Extruded aluminum housing with powder coated finish  
Twist and lock construction and no visible hardware  
Dim to Warm and Tunable White LED options up to 2000lm (90+CRI)  
1% dimming standard with several integral driver options



### ORDERING INFORMATION

<b>PROJECT:</b>	<input type="text"/>	<b>TYPE:</b>	<input type="text"/>
<b>CATALOG #:</b>	<input type="text"/>	<b>DATE:</b>	<input type="text"/>

CAT. NO	FIXTURE HEIGHT	LED SOURCE	LUMEN OUTPUT	CRI	BEAM ANGLE
<b>3G-SDL45RM5</b>	<b>7H</b> - 7" HEIGHT*	<b>DW</b> - DIM TO WARM (1800-3000K) <b>TW</b> - TUNABLE WHITE <sup>1</sup> (2700-6500K)	<b>08</b> - 800 LUMENS	<b>H90</b> - 90+ CRI	<b>20D</b> - 20°
	<b>11H</b> - 11" HEIGHT		<b>12</b> - 1200 LUMENS <b>20</b> - 2000 LUMENS		<b>40D</b> - 40° <b>60D</b> - 60° <b>90D</b> - 90° *
*7H available in Dim to Warm option only. Available in DIM and LE driver options only. Not available in 347V					* 90D reflector supplied standard with lens

VOLTAGE	DRIVER	HOUSING FINISH	GIMBAL FINISH
<b>UNV</b> - 120/277V <b>120</b> - 120V <b>347</b> - 347V (0-10V ONLY)	<b>DIM</b> - 0-10V (STANDARD 100-1%) <b>LE</b> - PHASE DIMMING <sup>2</sup> (TRIAC/ELV, 100-1%) <b>D01</b> - 0-10V (eldoLED, 100-0.1%) <b>DALI</b> - DALI (eldoLED, 100-1%) <sup>3</sup> <b>DHL2</b> - LUTRON HI-LUME LDE1 (1% ECOSYSTEM) <b>DMX</b> - DMX (eldoLED, 100-0%)	<b>WH</b> - WHITE <b>BK</b> - BLACK <b>SV</b> - SILVER <b>CF</b> - CUSTOM RAL COLOR	<b>NG</b> - NATURAL <b>BG</b> - BLACK <b>WG</b> - WHITE

OPTIONS
<b>HXB50</b> - BLACK HEXCELL LOUVER <b>LS50</b> - LINEAR SPREAD <b>SB50</b> - SANDBLASTED LENS <b>SF50</b> - SOFTENING LENS <b>CFW</b> - WHITE CONDUIT FEED CANOPY <b>CFB</b> - BLACK CONDUIT FEED CANOPY <b>CFS</b> - SILVER CONDUIT FEED CANOPY <b>EMR</b> - EMERGENCY BATTERY (REMOTE) <sup>4</sup> Maximum 2 optical accessories Not available with 90D reflector option

<sup>1</sup> Tunable White option not available in 7" height. Available with D01, DALI and DMX drivers  
<sup>2</sup> Phase dimming options available in 120V only  
<sup>3</sup> DALI-2 (Type 6) provided as standard. Please consult factory for DALI (Type 8) options  
<sup>4</sup> Emergency battery installed remotely by others. Not accessible through the inside of the fixture

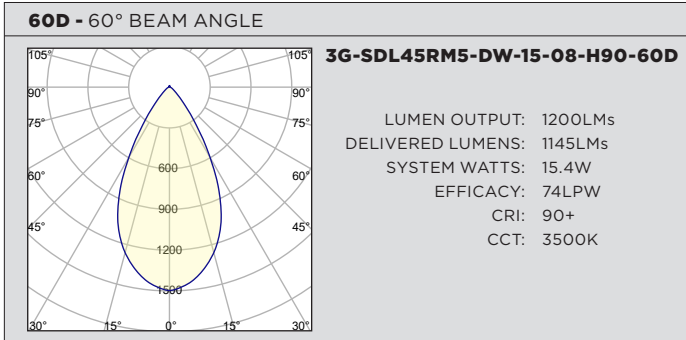
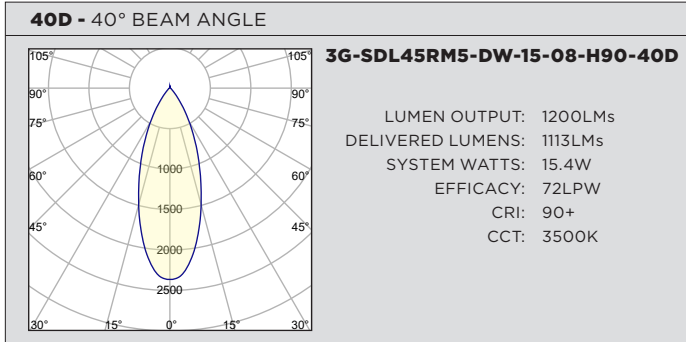
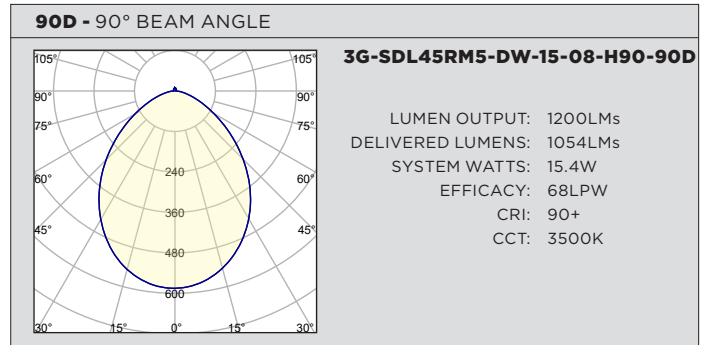
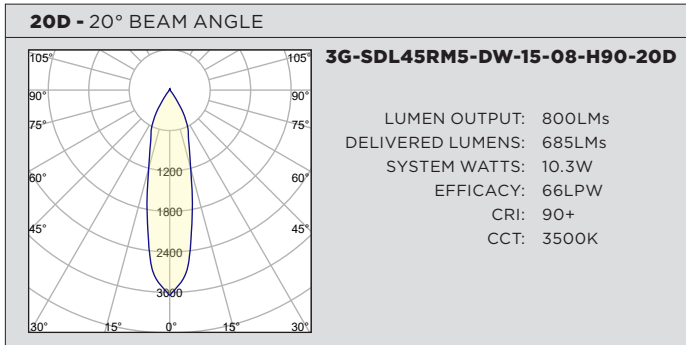
MAY 12, 2023



### PERFORMANCE CHART BASED ON 60° BEAM AND 3000K SOURCE

DIM TO WARM LUMEN OUTPUT	90+ CRI (3000K)		
	DELIVERED LUMENS	SYSTEM WATTS	EFFICACY (LPW)
800LMs	N/A	N/A	N/A
1200LMs	1145	15.4	74
2000LMs	1611	23.2	69

### PHOTOMETRY

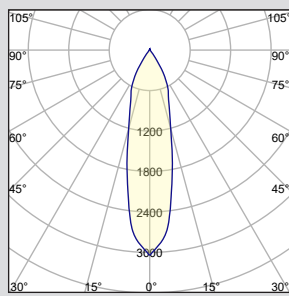


### PERFORMANCE CHART BASED ON 60° BEAM AND 3000K SOURCE

TUNABLE WHITE LUMEN OUTPUT	90+ CRI (2700K)			90+ CRI (3500K)			90+ CRI (6500K)		
	DELIVERED LUMENS	SYSTEM WATTS	EFFICACY (LPW)	DELIVERED LUMENS	SYSTEM WATTS	EFFICACY (LPW)	DELIVERED LUMENS	SYSTEM WATTS	EFFICACY (LPW)
<b>800LMs</b>	N/A	N/A	N/A	N/A	N/A	N/A	N/A	N/A	N/A
<b>1200LMs</b>	1076	16.6	65	1127	16.6	68	1266	16.6	76
<b>2000LMs</b>	1523	24.5	62	1558	24.5	64	1824	24.5	74

### PHOTOMETRY

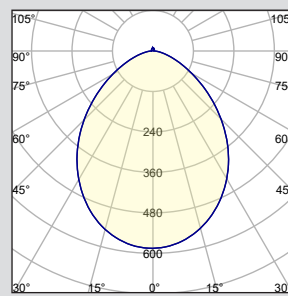
#### 20D - 20° BEAM ANGLE



#### 3G-SDL45RM5-TW-15-08-H90-20D

LUMEN OUTPUT: 800LMs  
 DELIVERED LUMENS: 715LMs  
 SYSTEM WATTS: 12.6W  
 EFFICACY: 57LPW  
 CRI: 90+  
 CCT: 3500K

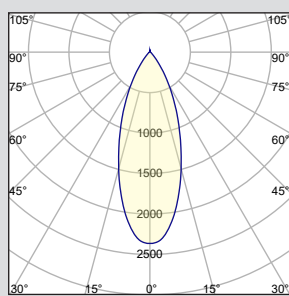
#### 90D - 90° BEAM ANGLE



#### 3G-SDL45RM5-TW-15-08-H90-90D

LUMEN OUTPUT: 1200LMs  
 DELIVERED LUMENS: 1037LMs  
 SYSTEM WATTS: 16.6W  
 EFFICACY: 62LPW  
 CRI: 90+  
 CCT: 3500K

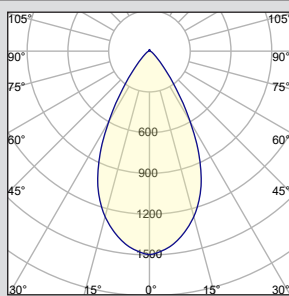
#### 40D - 40° BEAM ANGLE



#### 3G-SDL45RM5-TW-15-08-H90-40D

LUMEN OUTPUT: 1200LMs  
 DELIVERED LUMENS: 1121LMs  
 SYSTEM WATTS: 12.6W  
 EFFICACY: 68LPW  
 CRI: 90+  
 CCT: 3500K

#### 60D - 60° BEAM ANGLE



#### 3G-SDL45RM5-TW-15-08-H90-60D

LUMEN OUTPUT: 1200LMs  
 DELIVERED LUMENS: 1127LMs  
 SYSTEM WATTS: 24.5W  
 EFFICACY: 68LPW  
 CRI: 90+  
 CCT: 3500K

**TECHNICAL****HOUSING**

Extruded aluminum housing with powder coated finish  
Twist and lock construction with no visible hardware

**BEVELED INSERT**

4.5" machined aluminum trim insert feature 3G's Mini Madison double gimbal  
Solid aluminum 50mm double gimbal with dual axis adjustability (35°x35°)  
Each double gimbal can be locked in place

**OPTICS**

Regressed LED source for enhanced glare control  
Proprietary anodized, aluminum reflectors are field replaceable (20° reflector not interchangeable)  
Available in 20°, 40°, 60° and 90°

**ELECTRICAL**

Standard 0-10V, constant current drivers with 100-1% dimming range and >0.9 power factor  
Standard 120/277V universal voltage drivers. Optional 347V, 0-10V drivers  
120V Forward Phase/Reverse Phase driver option with 100-1% dimming range  
eldoLED 0-10V driver option available with 100-0.01% dimming range  
eldoLED DALI and Lutron EcoSystem driver options available with 100-1% dimming range  
DMX driver option available with 100-0% dimming range  
All drivers are integral and easily accessible through fixture aperture

**LED SYSTEM**

Bridgelux LED module (field replaceable)  
Color consistency <3 SDCM  
Standard 90+ CRI  
Dim to Warm (1800K-3000K)  
Tunable White (2700K-6500K)  
L70 >50,000 hours  
5 Year Warranty

**MOUNTING**

All hardware included for mounting to 4" octagonal junction box  
Conduit feed cut-out canopy option designed to mount to 4" octagonal junction box  
Twist and lock mechanism

**LISTING**

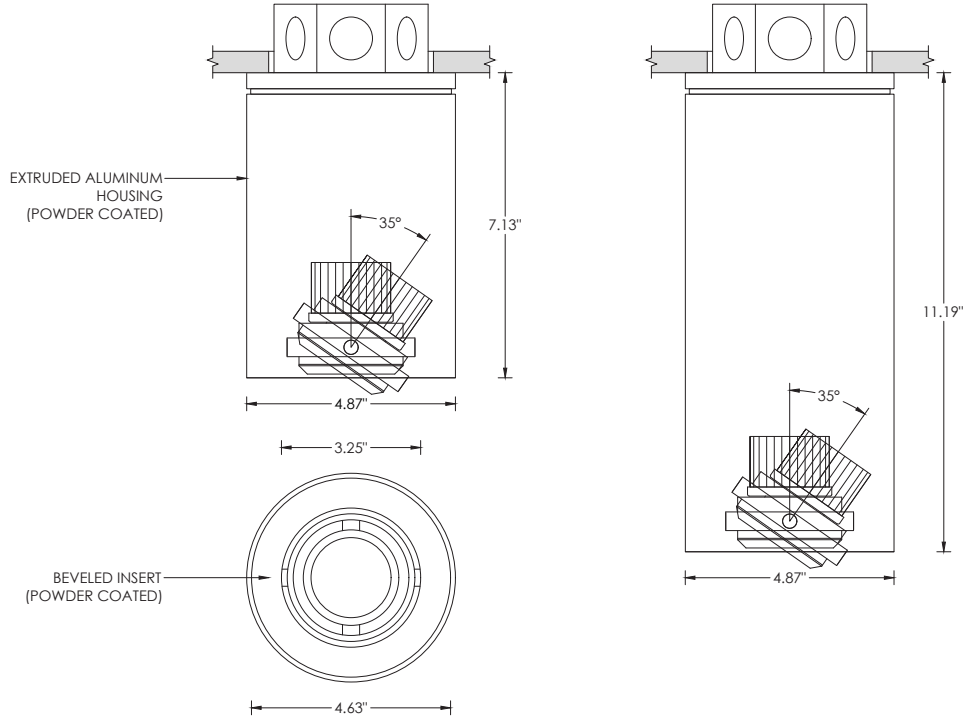
ETL listed and conforms to UL1598 standard. Certified to CSA22.2 NO.250.0. Rated for indoor dry or damp locations

**WARRANTY**

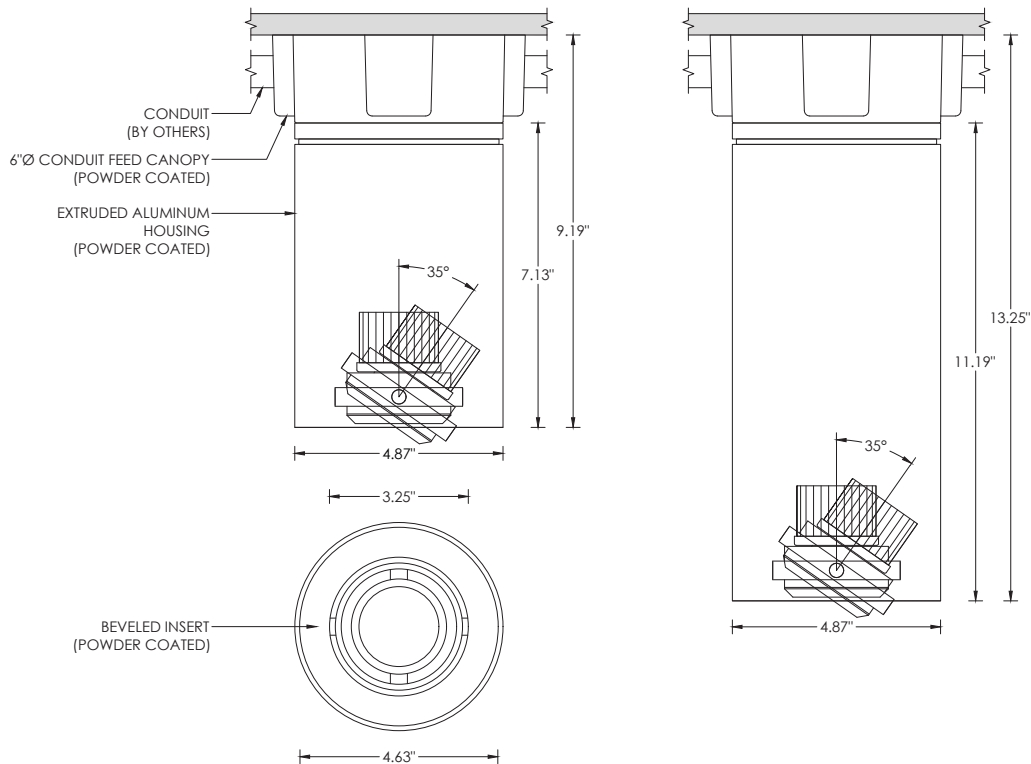
5 Year Warranty on LED and drivers  
Manufacturer 1 Year Warranty for defects in material and workmanship under normal use  
Ambient temperature at fixture should not exceed 25°C

### DRAWINGS AND DIMENSIONS

#### RECESSED 4" OCTAGONAL JUNCTION BOX BY OTHERS STANDARD CANOPY MOUNT

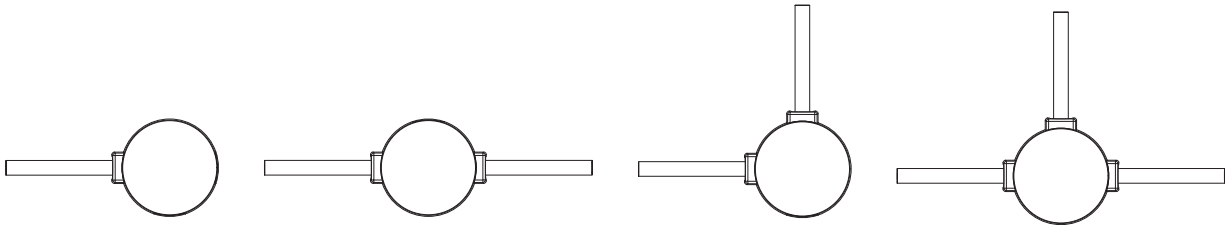


#### SURFACE 4" OCTAGONAL X 1.5" DEEP JUNCTION BOX BY OTHERS CONDUIT FEED CANOPY MOUNT (CFX OPTION)

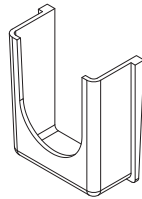


**DRAWINGS AND DIMENSIONS**

**CONDUIT FEED CANOPY MOUNTING OPTIONS**



CONDUIT COVER  
3 PROVIDED WITH EACH  
CONDUIT FEED CANOPY



BLANK  
2 PROVIDED WITH EACH  
CONDUIT FEED CANOPY

