

3G LIGHTING

3G-SDL45RM5

4.5" MINI MADISON CYLINDER
7" AND 11" HEIGHT

4.5" diameter high performance adjustable cylinder
Companion to 3G's Madison product family
Machined aluminum double gimbal. Adjustable and lockable
1.95" Regressed LED source for enhanced glare control
Extruded aluminum housing with powder coated finish
Twist and lock construction and no visible hardware
Lumen range of 1000lm to 2200lm (80+, 90+, and 97+ CRI options)
1% dimming standard with several integral driver options



ORDERING INFORMATION

PROJECT:	<input type="text"/>	TYPE:	<input type="text"/>
CATALOG #:	<input type="text"/>	DATE:	<input type="text"/>

CAT. NO	FIXTURE HEIGHT	LUMEN OUTPUT	CRI	COLOR TEMP	BEAM ANGLE
3G-SDL45RM5	7H - 7" HEIGHT*	10 - 1000 LUMENS	S80 - 80+ CRI	27K - 2700K	20D - 20°
	11H - 11" HEIGHT	15 - 1500 LUMENS	H90 - 90+ CRI	30K - 3000K	40D - 40°
		22 - 2200 LUMENS	H97 - 97+ CRI ¹	35K - 3500K	60D - 60°
				40K - 4000K	90D - 90°*
	*7H available up to 2200lm with integral driver (DIM & LE options). Select remote driver for 3000lm output				* 90D reflector supplied standard with lens

VOLTAGE	DRIVER	HOUSING FINISH	GIMBAL FINISH
UNV - 120/277V 120 - 120V 347 - 347V ²	DIM - 0-10V (STANDARD 100-1%) LE - PHASE DIMMING ³ (TRIAC/ELV, 100-1%) DO1 - 0-10V (eldoLED, 100-0.1%) DALI - DALI (eldoLED, 100-1%) ⁴ DHL2 - LUTRON HI-LUME LDE1 (1% ECOSYSTEM) DMX - DMX (eldoLED, 100-0%)	WH - WHITE BK - BLACK SV - SILVER CF - CUSTOM RAL COLOR	NG - NATURAL BG - BLACK WG - WHITE

OPTIONS

HXB50 - BLACK HEXCELL LOUVER
LS50 - LINEAR SPREAD
SB50 - SANDBLASTED LENS
SF50 - SOFTENING LENS
CFW - WHITE CONDUIT FEED CANOPY
CFB - BLACK CONDUIT FEED CANOPY
CFS - SILVER CONDUIT FEED CANOPY
EMR - EMERGENCY BATTERY (REMOTE) ⁵

Maximum 2 optical accessories
Not available with 90D reflector option

- ¹ 97+ CRI available in 30K and 35K as standard
² 347V available in 0-10V only (100-1%). Not available with 7H model
³ Phase dimming options available in 120V only
⁴ DALI-2 (Type 6) provided as standard. Please consult factory for DALI (Type 8) options
⁵ Emergency battery installed remotely by others. Not accessible through the inside of the fixture

MAY 12, 2023

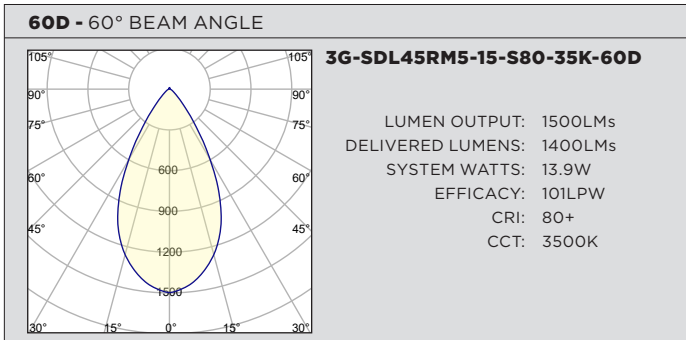
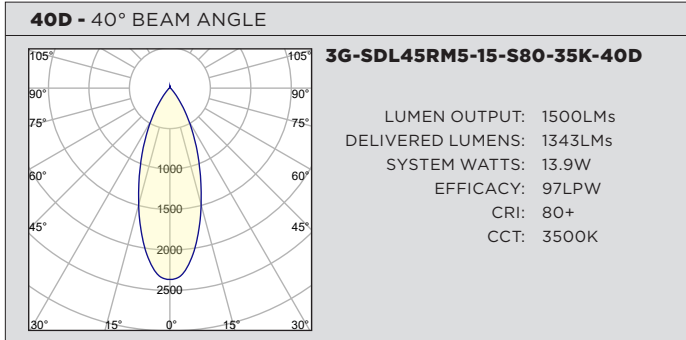
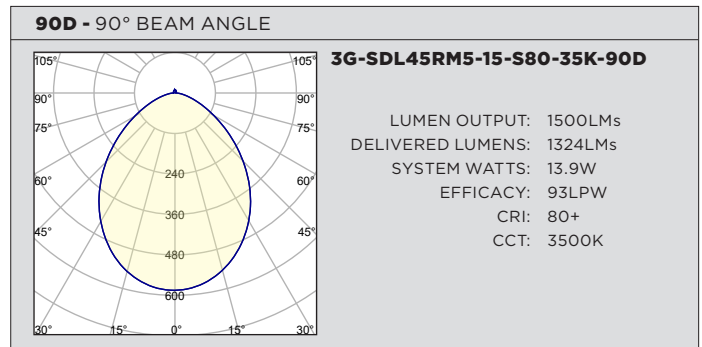
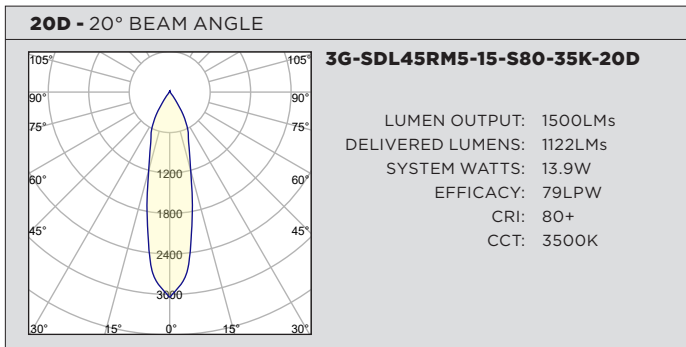
PERFORMANCE CHART BASED ON 60° BEAM ANGLE AND 3500K SOURCE

LUMEN OUTPUT	80+ CRI			90+ CRI			97+ CRI		
	DELIVERED LUMENS	SYSTEM WATTS	EFFICACY (LPW)	DELIVERED LUMENS	SYSTEM WATTS	EFFICACY (LPW)	DELIVERED LUMENS	SYSTEM WATTS	EFFICACY (LPW)
1000LMs	1015	10.2	100	893	10.2	88	833	10.0	82
1500LMs	1400	13.9	101	1232	13.9	89	1148	13.9	83
2200LMs*	2194	22.0	100	1931	22.0	88	1799	22.0	82

*For 7" model (7H) with integral driver and 2200lm option, use a multiplier of 0.91

LUMEN OUTPUT ADJUSTMENT FACTORS	CCT	Multiplier
	2700K	0.94
	3000K	0.97
	3500K	1.00
	4000K	1.01

PHOTOMETRY



TECHNICAL**HOUSING**

Extruded aluminum housing with powder coated finish
Twist and lock construction with no visible hardware

BEVELED INSERT

4.5" machined aluminum trim insert feature 3G's Mini Madison double gimbal
Solid aluminum 50mm double gimbal with dual axis adjustability (35°x35°)
Each double gimbal can be locked in place

OPTICS

Regressed LED source for enhanced glare control
Proprietary anodized, aluminum reflectors are field replaceable (20° reflector not interchangeable)
Available in 20°, 40°, 60° and 90°

ELECTRICAL

Standard 0-10V, constant current drivers with 100-1% dimming range and >0.9 power factor
120V Forward Phase/Reverse Phase driver option with 100-1% dimming range
Standard 120/277V universal voltage with several driver options
All drivers are integral and easily accessible through luminaire aperture
7" models include 0-10V drivers that operate only with dimmers that sink current (not designed for source current)
Compatible 0-10V dimmers for all 7" height models listed below:
Lutron NFTV, **Lutron** DVTV, **Lutron** DVSTV, **Lutron** VIVE RMJS-8TN, **Leviton** IP710-DLZ, **Philips** SR1200ZTUNV, **Cooper** SF10P

LED SYSTEM

Citizen LED module (field replaceable)
Color consistency <2 SDCM
Standard (80+CRI). Optional (90+ and 97+CRI)
Available in 27K, 30K, 35K, and 40K
L90 >50,000 hours
5 Year Warranty

MOUNTING

All hardware included for mounting to 4" octagonal junction box
Conduit feed cut-out canopy option designed to mount to 4" octagonal junction box
Twist and lock mechanism

LISTING

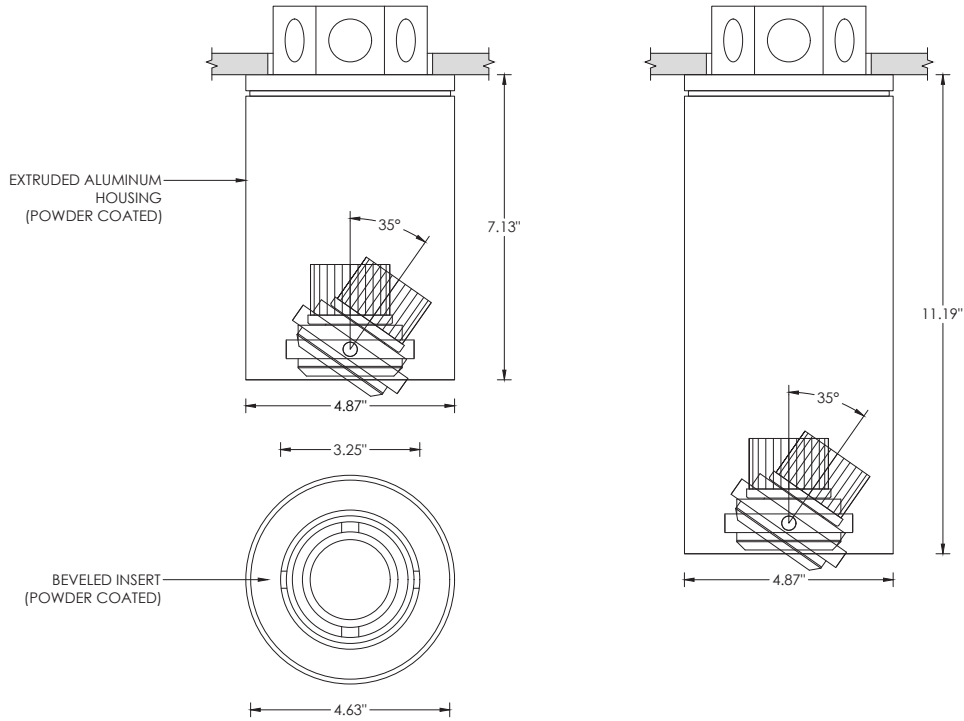
ETL listed and conforms to UL1598 standard. Certified to CSA22.2 NO.250.0. Rated for indoor dry or damp locations

WARRANTY

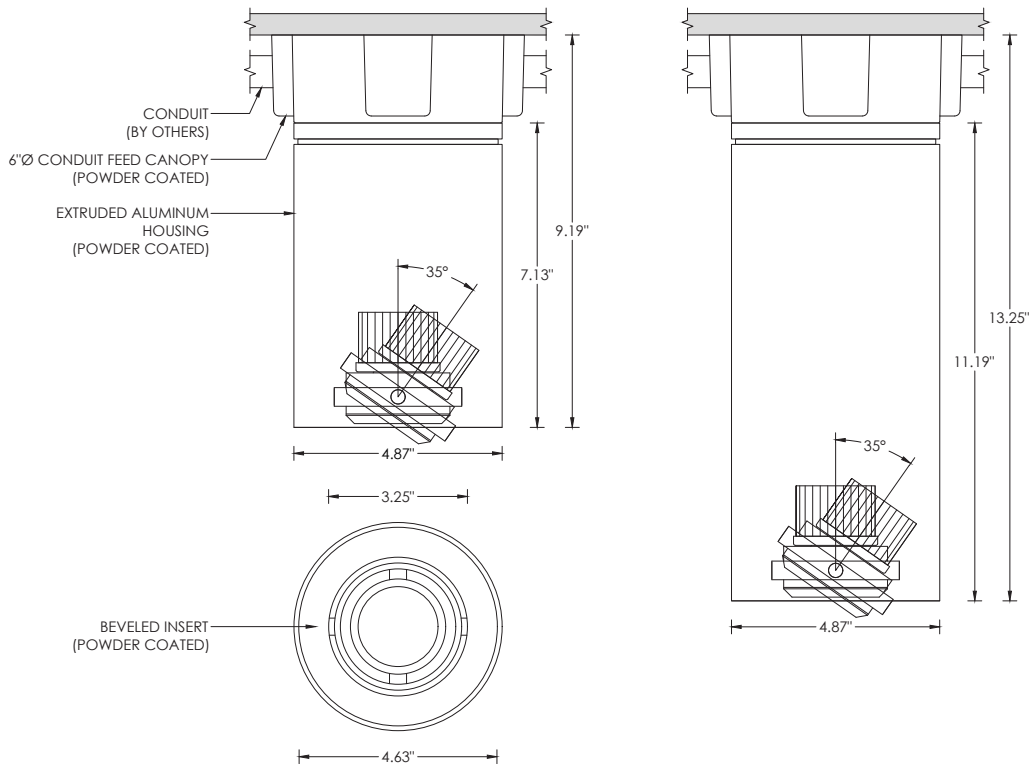
5 Year Warranty on LED and drivers
Manufacturer 1 Year Warranty for defects in material and workmanship under normal use
Ambient temperature at fixture should not exceed 25°C

DRAWINGS AND DIMENSIONS

**RECESSED 4" OCTAGONAL JUNCTION BOX BY OTHERS
STANDARD CANOPY MOUNT**

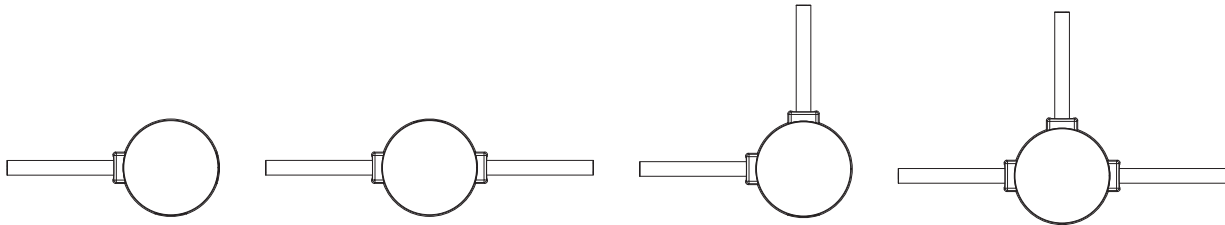


**SURFACE 4" OCTAGONAL X 1.5" DEEP JUNCTION BOX BY OTHERS
CONDUIT FEED CANOPY MOUNT (CFX OPTION)**

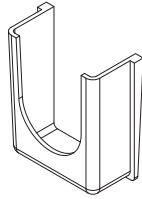


DRAWINGS AND DIMENSIONS

CONDUIT FEED CANOPY MOUNTING OPTIONS



CONDUIT COVER
3 PROVIDED WITH EACH
CONDUIT FEED CANOPY



BLANK
2 PROVIDED WITH EACH
CONDUIT FEED CANOPY

