



3G-1RLI-WC

1.5" RECESSED LINEAR
WALL TO CEILING



Narrow 1.5" aperture with one piece extruded aluminum housing
Seamless wall to ceiling illumination
Proprietary alignment mechanism
Suitable for drywall, wood, and grid ceiling applications
Extruded acrylic lens with optimal performance and glare control
1% dimming standard with several driver options

ORDERING INFORMATION

PROJECT:	<input type="text"/>	TYPE:	<input type="text"/>
CATALOG #:	<input type="text"/>	DATE:	<input type="text"/>

CAT. NO	LUMEN OUTPUT	CRI	COLOR TEMP	VOLTAGE
3G-1RLI-WC	L250 - LOW OUTPUT (250 LM/FT) ¹	S80 - 83+ CRI	27K - 2700K	UNV - 120/277V 347 - 347V (0-10V ONLY)
	L500 - MEDIUM OUTPUT (500 LM/FT)	H90 - 93+ CRI	30K - 3000K	
	L750 - HIGH OUTPUT (750 LM/FT)		35K - 3500K	
	L1000 - VERY HIGH OUTPUT (1000 LM/FT) ²		40K - 4000K	
	LC___ - CUSTOM OUTPUT (SPECIFY LM/FT)*			
*Specify custom lumen outputs in 50lm increments (ie: LC600, LC650, LC700) Custom output cannot exceed LC1000				

DRIVER	FLANGE TYPE (WALL)	FLANGE TYPE (CEILING)	LENS OPTION
DIM - 0-10V (STANDARD 100-1%) DHL2 - LUTRON HI-LUME LDE1 (100-1% ECOSYSTEM) DALI - DALI (eLdoLED, 100-1%) ³ DO1 - 0-10V (eLdoLED, 100-0.1%)	WXTR - TRIMLESS WFX - FLANGELESS	CXTR - TRIMLESS CFX - FLANGELESS GCX - GRID CEILING (UNIVERSAL MOUNT) *	FL - FLUSH
*Grid ceiling fixtures ship with universal mounting brackets suitable for all ceiling types See mounting section for details.			

OPTIONS	LENGTH (FEET)
EMB - INTEGRAL EMERGENCY BATTERY (MIN 4" SECTION) EMC - EMERGENCY CIRCUIT CP - CHICAGO PLENUM	W ___' x C ___' (WALL TO CEILING) * W ___' x C ___' x W ___' (WALL TO CEILING TO WALL) *Available in 1' increments

¹ L250 (250LM/FT) not available in 2' and 3' lengths (Please specify LC400 for 2' and 3' fixture length when outputs lower than 500LM/FT are required)
² L1000 (1000LM/FT) not available for H90 (93+ CRI)
³ DALI-2 (Type 6) provided as standard. Please consult factory for DALI (Type 8) options

APRIL 13, 2020





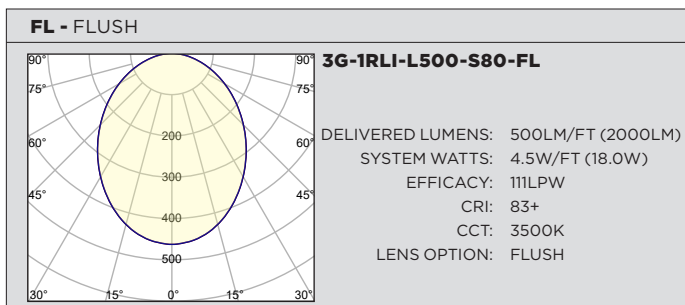
3G-1RLI-WC

LIGHTING 1.5" RECESSED LINEAR - WALL TO CEILING

PERFORMANCE CHART BASED ON 4' LENGTH (83+ CRI AND 3500K SOURCE)

LENS OPTION	DELIVERED LUMENS (LM/FT)	SYSTEM WATTS (W/FT)	EFFICACY (LPW)
FLUSH	250	2.3	110
	500	4.5	111
	750	7.2	105
	1000	9.9	101
LUMEN OUTPUT ADJUSTMENT FACTORS	CCT	Multiplier	
	2700K	0.94	
	3000K	0.97	
	3500K	1.00	
EFFICACY (LPW) ADJUSTMENT FACTOR	CRI	Multiplier	
	93+	0.88	

PHOTOMETRY BASED ON 4' LENGTH (83+ CRI AND 3500K SOURCE)





3G-1RLI-WC

LIGHTING 1.5" RECESSED LINEAR - WALL TO CEILING

TECHNICAL

HOUSING

Extruded aluminum housing with narrow 1.5" aperture
Individual units and continuous runs available in 1' increments. Contact 3G for 1" increments
Trim flange with matte white powder coated finish and minimal 0.400" overlap
Trimless model features a satin coat mudding flange for seamless ceiling integration
24-gauge LED reflector with high reflectance white powder coated finish
Standard polyester powder coated matte white finish

OPTICS

Extruded, satin acrylic lens designed for optimal performance and glare control. Up to 8' continuous

ELECTRICAL

Luminaires are pre-wired with factory installed quick connects and branch circuit wiring
Standard 0-10V, constant current drivers with 100-1% dimming range and >0.9 power factor
Standard 120/277V universal voltage drivers. Optional 347V, 0-10V drivers
Lutron EcoSystem and eLdoLED DALI options available with 100-1% dimming range
All drivers are integral and easily accessible through luminaire aperture
Minimum 4' and maximum 6' length for each integral emergency battery. 10W output for 90 minutes

LED SYSTEM

Proprietary LED system with color consistency <3 SDCM
Available in 27K, 30K, 35K, and 40K
Standard 83+CRI. Optional 93+CRI
R9 value of 56 for 93+CRI
L90 >60,000 hours
5 Year Warranty

MOUNTING

Proprietary alignment mechanism for seamless wall to ceiling illumination
Housing suspended via 1/4" threaded rod or suspension cables
Trimless fixture designed for use in drywall, mud-in ceiling applications
Flangeless fixture designed for use in wood ceilings. New construction only

LISTING

ETL listed and tested to cUL standards. Suitable for dry and damp locations

WARRANTY

5 Year Warranty on LED and drivers
Manufacturer 1 Year Warranty for defects in material and workmanship under normal use
Ambient temperature at fixture should not exceed 25°C



3G-1RLI-WC

LIGHTING 1.5" RECESSED LINEAR - WALL TO CEILING

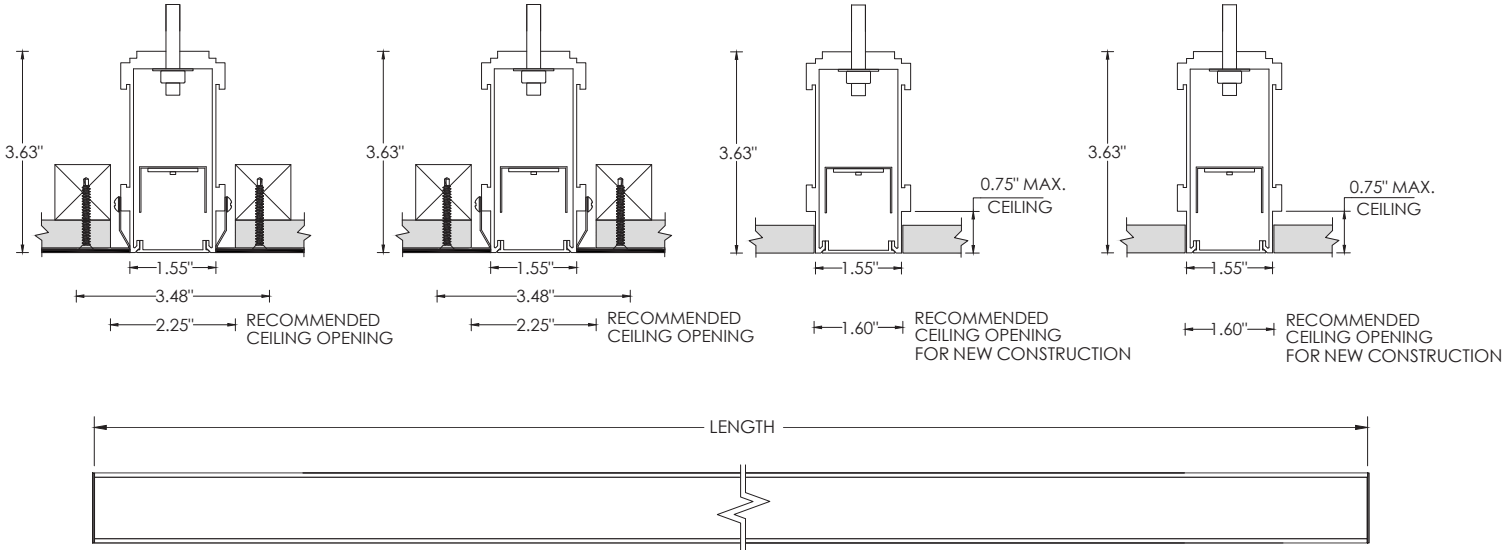
DRAWINGS AND DIMENSIONS HARD CEILING

CXTR - TRIMLESS CEILING

WXTR - TRIMLESS WALL

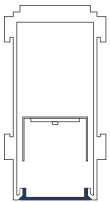
CFX - FLANGELESS CEILING (NEW CONSTRUCTION)

WFX - FLANGELESS WALL (NEW CONSTRUCTION)

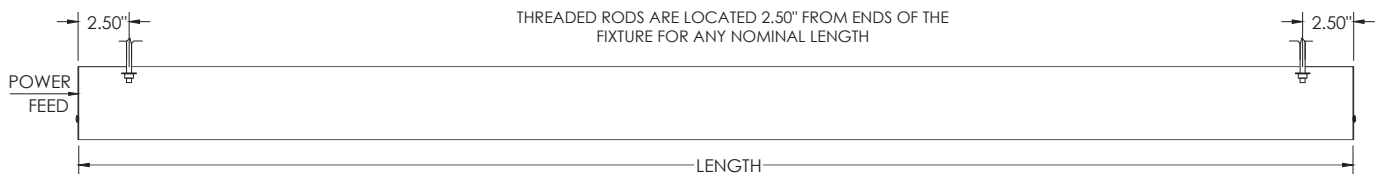


LENS OPTION

FL - FLUSH



MOUNTING DETAILS HARD CEILING





3G-1RLI-WC

LIGHTING 1.5" RECESSED LINEAR - WALL TO CEILING

DRAWINGS AND DIMENSIONS GRID CEILING

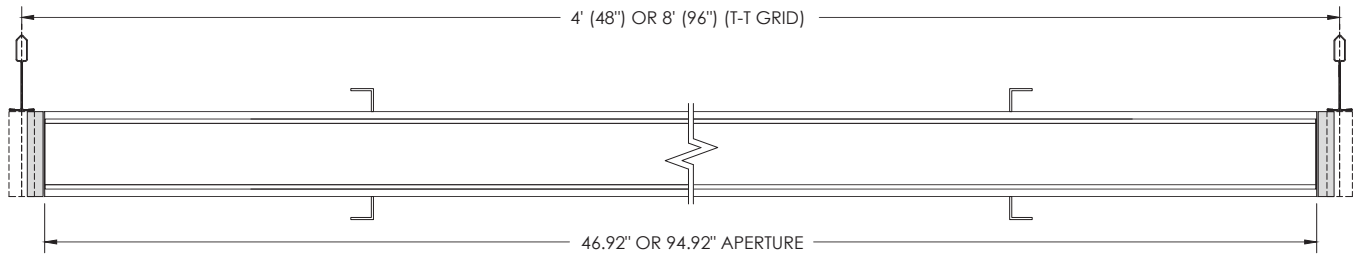
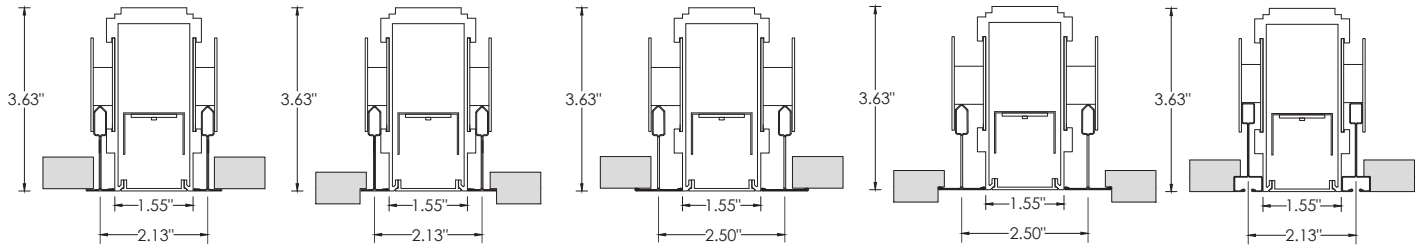
9L - 9/16" LAYIN

9TG - 9/16" TEGULAR

15L - 15/16" LAYIN

15TG - 15/16" TEGULAR

9ST - 9/16" SLOT TEE TEGULAR



MOUNTING DETAILS GRID CEILING

