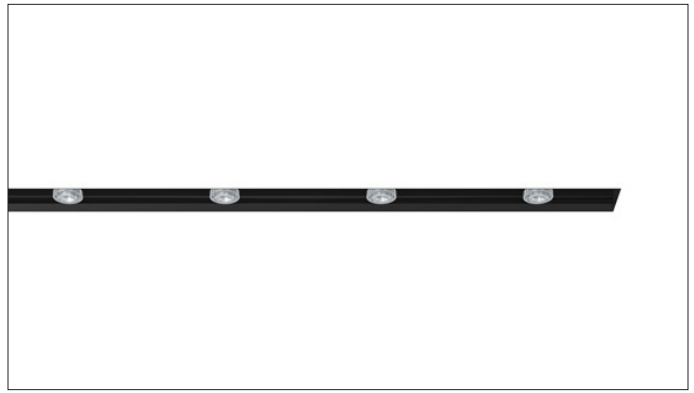




## 3G-38RMSL

3.8" RECESSED MICRO MADISON SLOT



3.8" recessed slot designed for continuous runs in various configurations  
 Suitable for drywall, wood, and other architectural ceiling applications  
 Machined aluminum double gimbals. Adjustable and lockable  
 Individual fixture heads can slide within the channel  
 Easily adjustable in the field for maximum flexibility  
 Lumen range up to 1000lm (80+, 90+, and 97+ CRI options)  
 1% dimming standard with several integral driver options

### ORDERING INFORMATION

<b>PROJECT:</b>	<input type="text"/>	<b>TYPE:</b>	<input type="text"/>
<b>CATALOG #:</b>	<input type="text"/>	<b>DATE:</b>	<input type="text"/>

CAT. NO	LUMEN OUTPUT	CRI	COLOR TEMP	BEAM ANGLE	VOLTAGE
<b>3G-38RMSL</b>	<b>07</b> - 700 LUMENS	<b>S80</b> - 80+ CRI	<b>27K</b> - 2700K	<b>30D</b> - 30°	<b>UNV</b> - 120/277V
	<b>10</b> - 1000 LUMENS	<b>H90</b> - 90+ CRI	<b>30K</b> - 3000K	<b>45D</b> - 45°	<b>120</b> - 120V
		<b>H97</b> - 97+ CRI <sup>1</sup>	<b>35K</b> - 3500K	<b>65D</b> - 65°	<b>347</b> - 347V
			<b>40K</b> - 4000K		

DRIVER	FLANGE TYPE	GIMBAL FINISH	HOUSING INTERIOR
<b>DIM</b> - 0-10V (STANDARD 100-1%)	<b>WT</b> - WHITE TRIM FLANGE	<b>NG</b> - NATURAL ALUMINUM	<b>BK</b> - BLACK
<b>LE</b> - PHASE DIMMING <sup>2</sup> (TRIAC/ELV, 100-1%)	<b>XTR</b> - TRIMLESS	<b>BG</b> - BLACK	<b>WH</b> - WHITE
<b>D01</b> - 0-10V (eLdoLED, 100-0.1%)	<b>FX</b> - FLANGELESS	<b>WG</b> - WHITE	
<b>DALI</b> - DALI (eLdoLED, 100-1%) <sup>3</sup>	<b>GCX</b> - GRID CEILING (UNIVERSAL MOUNT) *		
<b>DHL2</b> - LUTRON HI-LUME LDE1 (1% ECOSYSTEM)			

\* Grid ceiling fixtures ship with universal mounting brackets suitable for all ceiling types. See mounting section for details

OPTIONS	RUN TYPE	FIXTURE HEAD SPACING
<b>CP</b> - CHICAGO PLENUM	<b>S</b> - _____' (STRAIGHT RUN)	<b>12</b> - 12" ON CENTER
<b>2C</b> - 2 CIRCUIT		<b>18</b> - 18" ON CENTER
<b>3C</b> - 3 CIRCUIT		<b>24</b> - 24" ON CENTER
<b>EMR</b> - EMERGENCY BATTERY <sup>4</sup> (REMOTE)		<b>36</b> - 36" ON CENTER
		<b>48</b> - 48" ON CENTER
		<b>CUS (xx)</b> - CUSTOM SPACING *

Continuous runs available in 6" increments      \* Specify number of fixture heads (XX)

<sup>1</sup> 97+ CRI available in 30K and 35K as standard  
<sup>2</sup> Forward Phase/Reverse Phase driver available in 120V only  
<sup>3</sup> DALI-2 (Type 6) provided as standard. Please consult factory for DALI (Type 8) options  
<sup>4</sup> Emergency battery installed remotely by others. Not accessible through the inside of the fixture

MAY 11, 2023



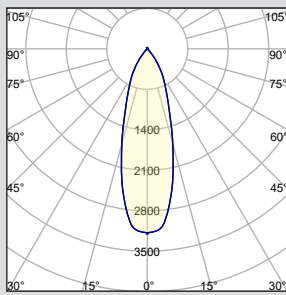
### PERFORMANCE CHART BASED ON 65° BEAM ANGLE AND 3500K SOURCE (PER FIXTURE HEAD)

LUMEN OUTPUT	80+ CRI			90+ CRI			97+ CRI		
	DELIVERED LUMENS	SYSTEM WATTS	EFFICACY (LPW)	DELIVERED LUMENS	SYSTEM WATTS	EFFICACY (LPW)	DELIVERED LUMENS	SYSTEM WATTS	EFFICACY (LPW)
<b>700LMs</b>	729	6.5	112	642	6.5	99	598	6.5	92
<b>1000LMs</b>	1057	9.3	114	930	9.25	101	866	9.25	94

LUMEN OUTPUT ADJUSTMENT FACTORS	CCT	Multiplier
	2700K	0.94
	3000K	0.97
	3500K	1.00
	4000K	1.01

### PHOTOMETRY

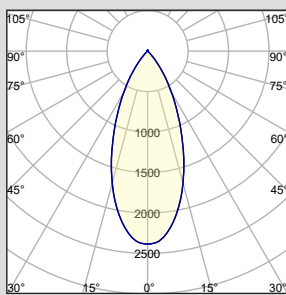
#### 30D - 30° BEAM ANGLE



#### 3G-38RMSL-10-S80-30D

LUMEN OUTPUT: 1000LMs  
 DELIVERED LUMENS 1014LMs  
 SYSTEM WATTS: 9.3W  
 EFFICACY: 110LPW  
 CRI: 80+  
 CCT: 3500K

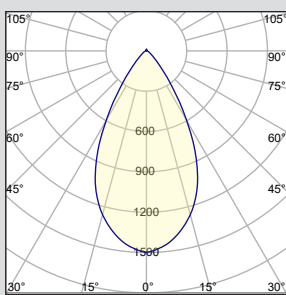
#### 45D - 45° BEAM ANGLE



#### 3G-38RMSL-10-S80-45D

LUMEN OUTPUT: 1000LMs  
 DELIVERED LUMENS 1032LMs  
 SYSTEM WATTS: 9.3W  
 EFFICACY: 112LPW  
 CRI: 80+  
 CCT: 3500K

#### 65D - 65° BEAM ANGLE



#### 3G-38RMSL-10-S80-65D

LUMEN OUTPUT: 1000LMs  
 DELIVERED LUMENS 1057LMs  
 SYSTEM WATTS: 9.3W  
 EFFICACY: 114LPW  
 CRI: 80+  
 CCT: 3500K

**TECHNICAL****HOUSING**

Housing constructed in extruded aluminum and cold rolled steel  
Extruded aluminum housing with narrow 2" aperture  
Designed for continuous runs in various configurations. Available in 1" increments as standard  
Standard matte black powder coated housing interior with optional matte white finish  
Aluminum trim flange with matte white powder coated finish and minimal 0.400" overlap  
Trimless model features a satin coat mudding flange for seamless ceiling integration

**ADJUSTABILITY**

Solid aluminum, 30mm machined double gimbals with dual axis adjustability (35°x35°)  
Individual fixture heads can slide left or right within the channel. Easily adjustable in field  
Each double gimbal can be locked into place

**OPTICS**

Regressed LED source for enhanced glare control  
Proprietary, high performance reflectors. Field replaceable  
Available in 30°, 45° and 65°

**ELECTRICAL**

Standard 0-10V, constant current drivers with 100-1% dimming range and >0.9 power factor  
Standard 120/277V universal voltage with several driver options  
All drivers are integral and easily accessible through luminaire aperture  
Each section is powered individually and can be daisy chained together  
Fixture sections can be fed separately based on circuit requirement  
Remote emergency battery operates for 90 minutes at 10W (not accessible within channel)

**LED SYSTEM**

Citizen LED module (field replaceable)  
Color consistency <2 SDCM  
Standard (80+ CRI). Optional (90+ and 97+ CRI)  
Available in 27K, 30K, 35K, and 40K  
L90 >50,000 hours  
5 Year Warranty

**MOUNTING**

Housing suspended via 1/4" threaded rod or suspension cables (by others)  
Trim fixture designed for use in drywall, wood, and other architectural ceiling materials  
Trimless fixture designed for use in drywall, mud-in ceiling applications  
Flangeless fixture designed for use in wood ceilings  
Suitable for various grid ceiling applications (see mounting details)  
Maximum ceiling thickness of 3.50". Consult factory for modifications

**LISTING**

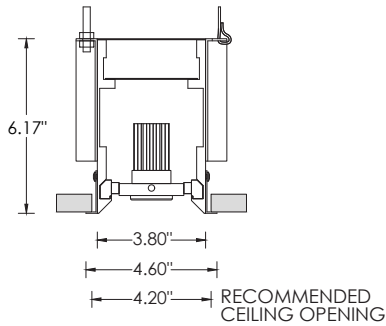
ETL listed and conforms to UL1598 standard. Certified to CSA22.2 NO.250.0. Rated for indoor dry or damp locations  
IC rated - Suitable for direct contact with insulation

**WARRANTY**

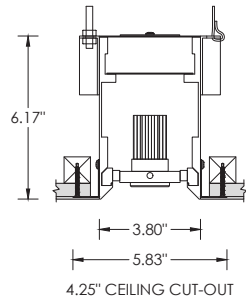
5 Year Warranty on LED and drivers  
Manufacturer 1 Year Warranty for defects in material and workmanship under normal use  
Ambient temperature at fixture should not exceed 25°C

**DRAWINGS AND DIMENSIONS** HARD CEILING

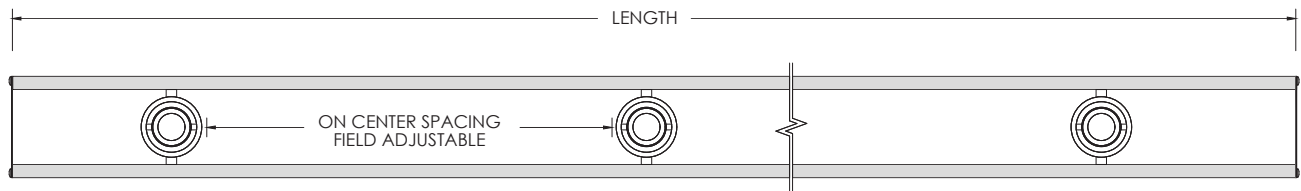
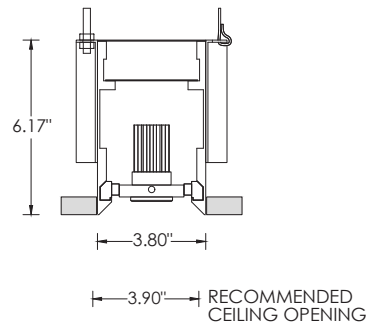
**WT - TRIM**



**XTR - TRIMLESS**



**FX - FLANGELESS**



**MOUNTING DETAILS** HARD CEILING



### DRAWINGS AND DIMENSIONS GRID CEILING

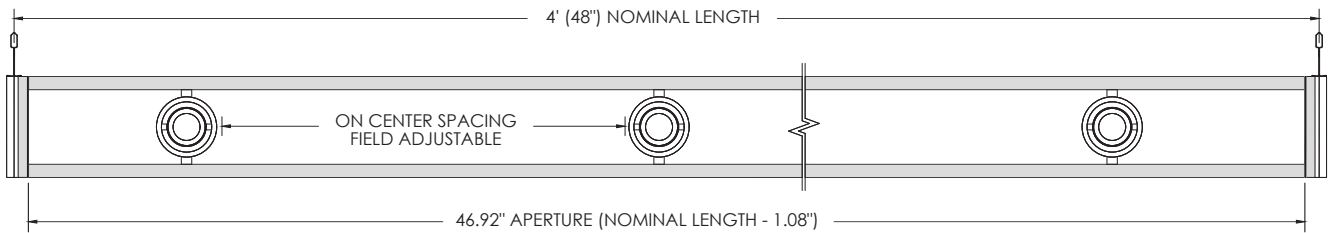
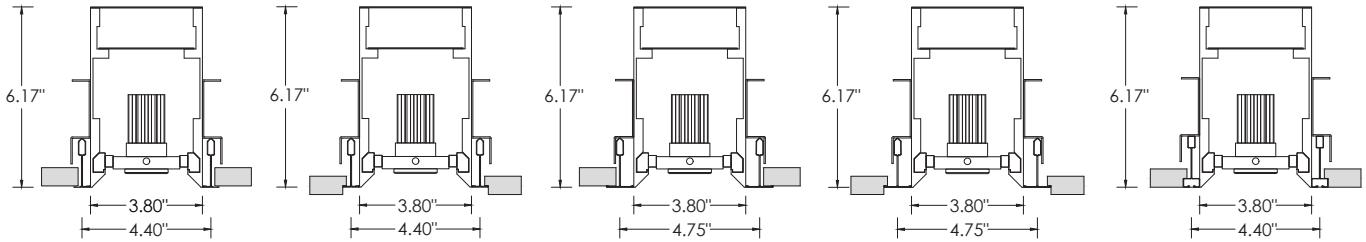
**9L** - 9/16" LAYIN

**9TG** - 9/16" TEGULAR

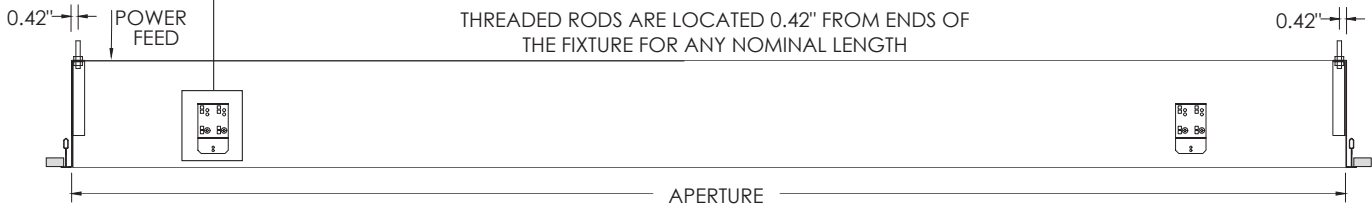
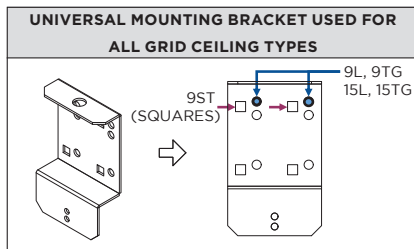
**15L** - 15/16" LAYIN

**15TG** - 15/16" TEGULAR

**9ST** - 9/16" SLOT TEE TEGULAR



### MOUNTING DETAILS GRID CEILING



**GIMBAL ADJUSTABILITY**

