

3G LIGHTING

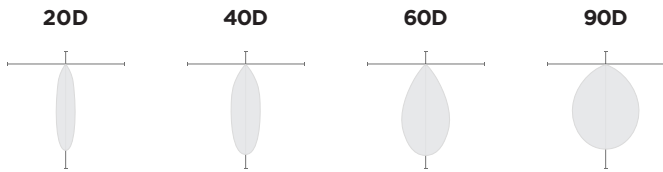
3G-PDL33RF

3.3" DOWNLIGHT CYLINDER
7" AND 11" HEIGHT

3.3" diameter, high performance cylinder with upgraded performance
Standard 95+ CRI LED system with performance up to 135 LPW
Delivered lumen range up to 2000lm at 95+ CRI
Regressed LED source with enhanced glare control
20° to 90° beam angle options suitable for various applications
Extruded aluminum construction with no visible hardware
Companion to 3G's DL33R series downlight family



OPTICS



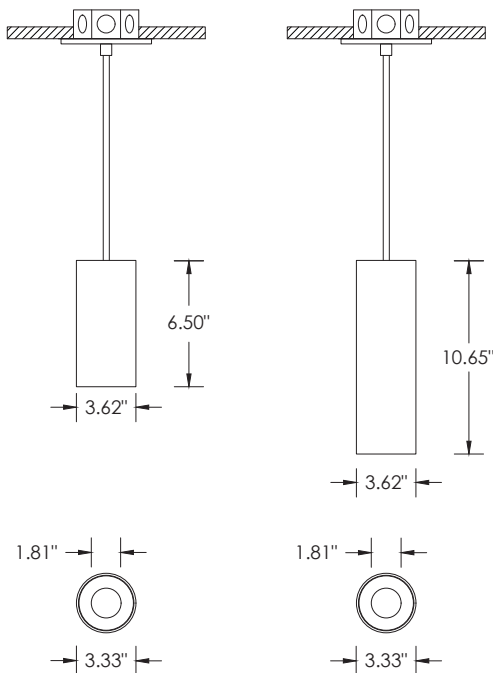
PERFORMANCE

| LUMEN OUTPUT | DELIVERED LUMENS | SYSTEM WATTS | EFFICACY (LPW) |
|--------------|------------------|--------------|----------------|
| 1000 | 1000 | 9.2 | 109 |
| 1350 | 1350 | 13.0 | 104 |
| 1750 | 1750 | 16.9 | 103 |
| 2000 | 2000 | 19.5 | 103 |

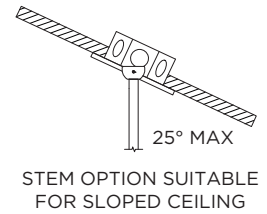
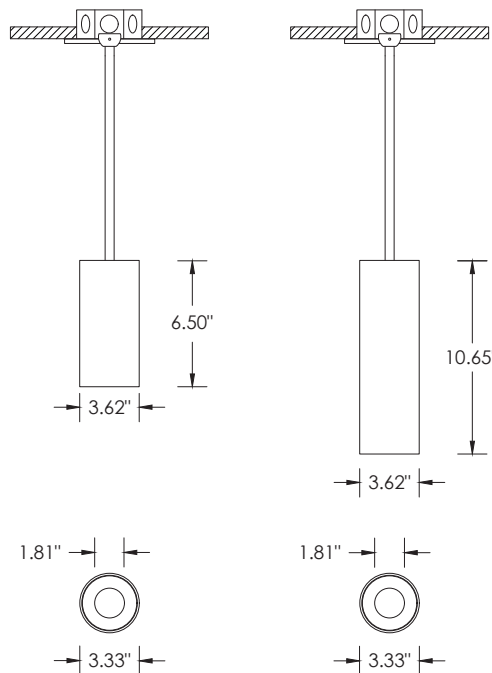
BASED ON 95+ CRI, 3500K, 40D OPTIC WITH SOFTENING LENS
Lumen output and actual wattage may vary +/- 5%

DIMENSIONS

CABLE SUSPENSION



STEM SUSPENSION



| | | | |
|------------------|--|--------------|--|
| PROJECT: | | TYPE: | |
| CATALOG#: | | DATE: | |
| | | QTY: | |

| CAT. NO | FIXTURE HEIGHT | LUMEN OUTPUT | CRI | COLOR TEMP | BEAM ANGLE |
|--|-------------------------|---|----------------------|---|--|
| 3G-PDL33RF | 7H - 7" HEIGHT * | 10 - 1000 LUMENS | H95 - 95+ CRI | 27K - 2700K | 20D - 20° ¹ |
| | 11H - 11" HEIGHT | 13 - 1350 LUMENS 17 - 1750 LUMENS 20 - 2000 LUMENS | | 30K - 3000K 35K - 3500K 40K - 4000K | 40D - 40° 60D - 60° 90D - 90° * |
| *7H available up to 1350lm with integral driver (DIM & LE) Select Power Canopy for 1750lm, 2000lm and D01 and DALI options | | All lumen outputs are delivered lumens at 95+ CRI | | *90D optic supplied with lens Not available with other lens options | |

| VOLTAGE | DRIVER | HOUSING FINISH | INSERT FINISH | CANOPY |
|--|---|--|--|---|
| UNV - 120/277V 120 - 120V 347 - 347V ² | DIM - 0-10V (100-1%) LE - PHASE DIM ³ (TRIAC/ELV, 100-1%) D01 - 0-10V (100-0.1%) DALI - DALI (100-1%) ⁴ DMX - DMX (100-0%) ⁵ DHL2 - LUTRON HI-LUME LDE1 ⁵ (1% ECOSYSTEM) | WH - WHITE BK - BLACK SV - SILVER CF - CUSTOM COLOR | WI - WHITE BI - BLACK SI - SILVER CI - CUSTOM COLOR | CN - CANOPY (STANDARD) PC - POWER CANOPY * CF - CONDUIT CANOPY |
| | | | | Power Canopy suitable for 7" Cylinder with 1750lm & 2000lm |

| CANOPY FINISH | SUSPENSION TYPE | SUSPENSION LENGTH | OPTIONS |
|--|--|--|--|
| WCF - WHITE (STANDARD) BCF - BLACK SCF - SILVER | WC - WHITE CABLE BC - BLACK CABLE RSW - WHITE RIGID STEM RSB - BLACK RIGID STEM RSS - SILVER RIGID STEM RSC - CUSTOM RAL STEM | C60 - 60" CABLE C120 - 120" CABLE S48 - 48" STEM S96 - 96" STEM | SF - SOFTENING LENS * (SUPPLIED STANDARD) LS - LINEAR SPREAD LENS SB - SANDBLASTED LENS EMR - REMOTE EMERGENCY ⁶ BATTERY |
| | | All suspension options are field cuttable | *Softening lens not provided with 90D optic Maximum 1 optical accessory |

- ¹ 20D reflector available up to 1750lm
- ² 347 available in "DIM" 0-10V only (100-1%). Not available with 7H model
- ³ Phase dimming options available in 120V only
- ⁴ DALI-2 (Type 6) provided as standard. Consult factory for DALI Type 8 option
- ⁵ DMX and DHL2 (Lutron) not available with 7H model or "PC" Power Canopy option
- ⁶ Supplied with enclosure with Emergency Battery and driver. Installed remotely by others. Not accessible through fixture aperture

PERFORMANCE

| LUMEN OUTPUT | DELIVERED LUMENS | SYSTEM WATTS | EFFICACY (LPW) |
|--------------|------------------|--------------|----------------|
| 1000 | 1000 | 9.2 | 109 |
| 1350 | 1350 | 13.0 | 104 |
| 1750 | 1750 | 16.9 | 103 |
| 2000 | 2000 | 19.5 | 103 |

BASED ON 95+ CRI, 3500K, 40D OPTIC WITH SOFTENING LENS
Lumen output and actual wattage may vary +/- 5%

MULTIPLIERS

| BEAM ANGLE | |
|------------|------|
| 20D | 1.24 |
| 40D | 1.00 |
| 60D | 0.97 |
| 90D | 0.91 |

| COLOR TEMP | |
|------------|------|
| 2700K | 0.98 |
| 3000K | 1.00 |
| 3500K | 1.00 |
| 4000K | 1.02 |

HOUSING

Extruded aluminum housing with powder coated finish

BEVELED INSERT

Cast aluminum beveled insert with matte powder coated finish
3.3" aperture with regressed LED source for enhanced glare control

OPTICS

Proprietary anodized, aluminum reflectors
Beam angle available in 20°, 40°, 60° and 90°
Reflectors are field replaceable (20° reflector not interchangeable)
Softening lens supplied standard

ELECTRICAL

Standard 0-10V, constant current drivers
100-1% dimming range and >0.9 power factor
Standard 120/277V universal voltage with several driver options
120V Forward Phase/Reverse Phase driver option (100-1%)
Integral drivers are easily accessible through luminaire aperture
Power Canopy with integral driver for 7" model and higher lumen outputs

LED SYSTEM

Standard 95+ CRI
Color consistency <2 SDCM
Available in 27K, 30K, 35K, and 40K
L90 > 50,000 hours

MOUNTING

1/2" diameter rigid stem option with sloped ceiling adapter (field cuttable)
Standard, 18-gauge, 5 conductor single circuit braided power feed cable (black and white finish)
All hardware included for mounting to 4" octagonal junction box
Canopy provided in white finish as standard
Power Canopy provided with integral driver (white finish standard)
Conduit feed cut-out canopy option designed to mount to 4" octagonal junction box

EMERGENCY

7W output for 90 minutes (+/- 750lm at 95+ CRI). Title 24 Certified Remote emergency battery (not accessible through fixture aperture)
Maximum remote mounting distance: 50ft (12AWG) or 25ft (14AWG)
Caution: Emergency Battery utilizes more than one power source and servicing should be performed by qualified personnel

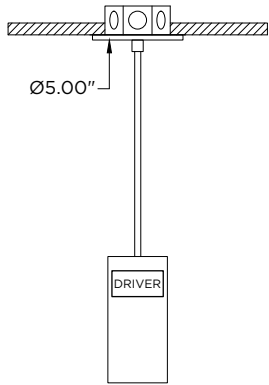
LISTING

ETL listed and conforms to UL1598 standard
Certified to CSA22.2 NO.250.0.
Rated for dry or damp locations

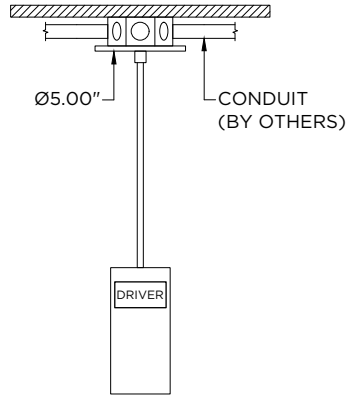
WARRANTY

5 year limited warranty
LED system rated for operation in ambient environments up to 25°C

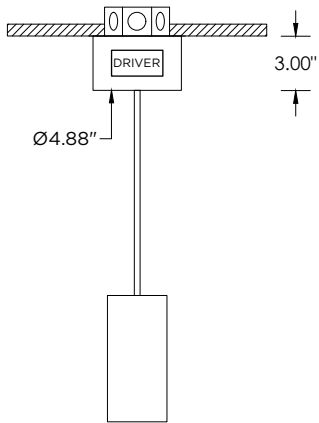
CN - STANDARD CANOPY
RECESSED J-BOX (BY OTHERS)



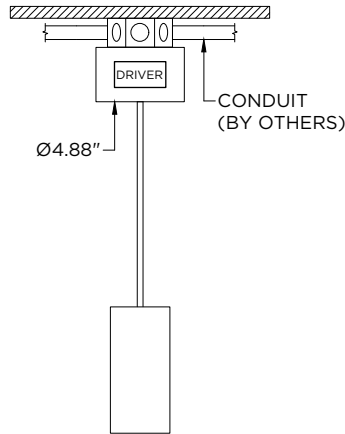
CN - STANDARD CANOPY
SURFACE MOUNT J-BOX (BY OTHERS)



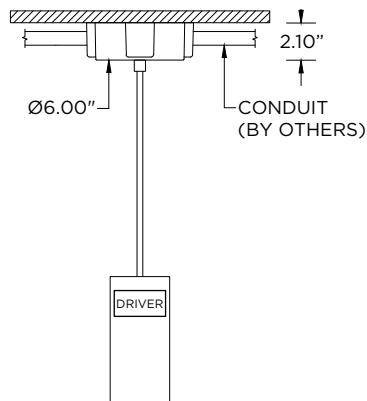
PC - POWER CANOPY
RECESSED J-BOX (BY OTHERS)



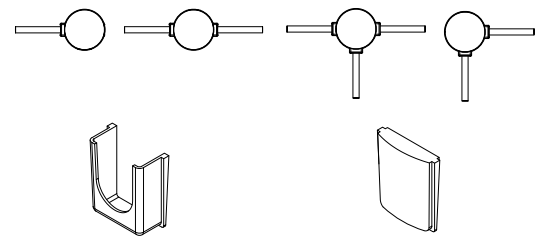
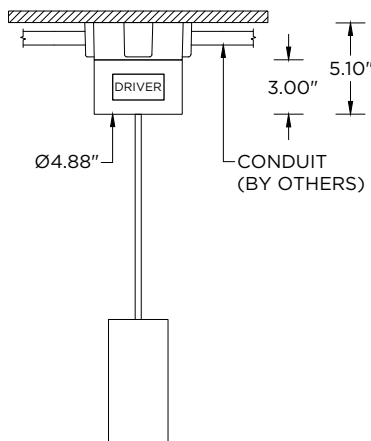
PC - POWER CANOPY
SURFACE MOUNT J-BOX (BY OTHERS)



CF - CONDUIT FEED CANOPY
SURFACE MOUNT J-BOX (BY OTHERS)



CF - CONDUIT FEED CANOPY & PC - POWER CANOPY
SURFACE MOUNT J-BOX (BY OTHERS)



CONDUIT COVER
3 PROVIDED WITH EACH
CONDUIT FEED CANOPY

BLANK
2 PROVIDED WITH EACH
CONDUIT FEED CANOPY