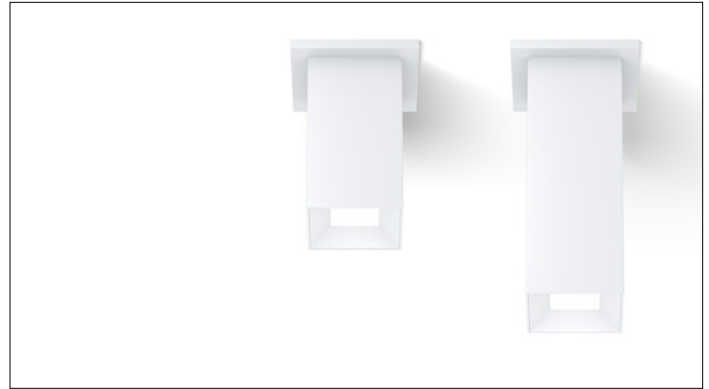


# 3G LIGHTING

## 3G-SDL33SF

3.3" SURFACE DOWNLIGHT  
7" AND 11" HEIGHT



3.3" square, surface mounted downlight with upgraded performance  
Standard 95+ CRI LED system with performance up to 130 LPW  
Delivered lumen range up to 2000lm at 95+ CRI  
Regressed LED source with enhanced glare control  
20° to 90° beam angle options suitable for various applications  
Twist and lock extruded aluminum construction with no visible hardware  
Companion to 3G's DL33S series downlight family

|                  |  |              |             |
|------------------|--|--------------|-------------|
| <b>PROJECT:</b>  |  | <b>TYPE:</b> |             |
| <b>CATALOG#:</b> |  | <b>DATE:</b> | <b>QTY:</b> |

| CAT. NO           | FIXTURE HEIGHT  | LUMEN OUTPUT   | CRI                  | COLOR TEMP         | BEAM ANGLE  |
|-------------------|---|--|----------------------|--------------------|---|
| <b>3G-SDL33SF</b> | <b>7H</b> - 7" HEIGHT *   | <b>10</b> - 1000 LUMENS  | <b>H95</b> - 95+ CRI | <b>27K</b> - 2700K | <b>20D</b> - 20° <sup>1</sup>   |
|                   | <b>11H</b> - 11" HEIGHT   | <b>13</b> - 1350 LUMENS  |                      | <b>30K</b> - 3000K | <b>40D</b> - 40°  |
|                   |   | <b>17</b> - 1750 LUMENS  |                      | <b>35K</b> - 3500K | <b>60D</b> - 60°  |
|                   |   | <b>20</b> - 2000 LUMENS  |                      | <b>40K</b> - 4000K | <b>90D</b> - 90° *  |
|                   | <small>*7H available up to 1350lm with integral driver (DIM &amp; LE options)</small> | <small>All lumen outputs are delivered lumens at 95+ CRI</small> |                      |                    | <small>*90D optic supplied with lens. Not available with other lens options</small> |

| VOLTAGE  | DRIVER   | HOUSING FINISH   | INSERT FINISH  |
|--|--|--|--|
| <b>UNV</b> - 120/277V<br><b>120</b> - 120V<br><b>347</b> - 347V <sup>2</sup> | <b>DIM</b> - 0-10V (100-1%)<br><b>LE</b> - PHASE DIM <sup>3</sup><br>(TRIAC/ELV, 100-1%)<br><b>D01</b> - 0-10V (100-0.1%)<br><b>DALI</b> - DALI (100-1%) <sup>4</sup><br><b>DMX</b> - DMX (100-0%)<br><b>DHL2</b> - LUTRON HI-LUME LDE1<br>(1% ECOSYSTEM)<br><b>RDIM</b> - REMOTE 0-10 (100-1%)<br><b>RLE</b> - REMOTE PHASE DIM<br>(TRIAC/ELV, 100-1%)<br><br><small>Remote drivers supplied with enclosure</small> | <b>WH</b> - WHITE<br><b>BK</b> - BLACK<br><b>SV</b> - SILVER<br><b>CF</b> - CUSTOM RAL COLOR | <b>WI</b> - WHITE<br><b>BI</b> - BLACK<br><b>SI</b> - SILVER<br><b>CI</b> - CUSTOM RAL COLOR |

| OPTIONS  |
|--|
| <b>SF</b> - SOFTENING LENS (SUPPLIED STANDARD)<br><b>SB</b> - SANDBLASTED LENS<br><b>LS</b> - LINEAR SPREAD LENS<br><b>EMR</b> - REMOTE EMERGENCY BATTERY <sup>5</sup> |
| <small>Maximum 1 optical accessory<br/>Not available with 90D reflector option</small>   |

**\*\*** 3G has upgraded our LED system and overall performance at no additional cost. We now offer 95+CRI as standard. All lumen outputs are delivered lumens. This upgraded LED system is more efficient than our previous 80CRI, 90CRI, and 97CRI options. Please see the last page of this spec sheet to cross-reference old lumen outputs with our new, 95+CRI lumen output options

- <sup>1</sup> 20D reflector available up to 1750lm
- <sup>2</sup> 347 available in "DIM" 0-10V only (100-1%)
- <sup>3</sup> Phase dimming options available in 120V only
- <sup>4</sup> DALI-2 (Type 6) provided as standard. Consult factory for DALI Type 8 option
- <sup>5</sup> Supplied with enclosure with Emergency Battery and driver. Installed remotely by others. Not accessible through fixture aperture

**PERFORMANCE**

| LUMEN OUTPUT | DELIVERED LUMENS | SYSTEM WATTS | EFFICACY (LPW) |
|--------------|------------------|--------------|----------------|
| 1000         | 1000             | 9.5          | 111            |
| 1350         | 1350             | 13.1         | 103            |
| 1750         | 1750             | 17.0         | 103            |
| 2000         | 2000             | 19.7         | 101            |

BASED ON 95+ CRI, 3500K, 40D OPTIC WITH SOFTENING LENS  
Lumen output and actual wattage may vary +/- 5%

**MULTIPLIERS**

| BEAM ANGLE |      |
|------------|------|
| 20D        | 1.17 |
| 40D        | 1.00 |
| 60D        | 0.97 |
| 90D        | 0.85 |

| COLOR TEMP |      |
|------------|------|
| 2700K      | 0.98 |
| 3000K      | 1.00 |
| 3500K      | 1.00 |
| 4000K      | 1.02 |

**HOUSING**

Extruded aluminum housing with powder coated finish

**BEVELED INSERT**

Cast aluminum beveled insert with matte powder coated finish  
3.3" aperture with regressed LED source for enhanced glare control

**OPTICS**

Proprietary anodized, aluminum reflectors  
Beam angle available in 20°, 40°, 60° and 90°  
Reflectors are field replaceable (20° reflector not interchangeable)  
Softening lens supplied standard

**ELECTRICAL**

Standard 0-10V, constant current drivers  
100-1% dimming range and >0.9 power factor  
Standard 120/277V universal voltage with several driver options  
120V Forward Phase/Reverse Phase driver option (100-1%)  
Integral drivers are easily accessible through luminaire aperture  
Remote drivers supplied with enclosure

**LED SYSTEM**

Standard 95+ CRI  
Color consistency <2 SDCM  
Available in 27K, 30K, 35K, and 40K  
L90 > 50,000 hours

**MOUNTING**

All hardware included for mounting to 4" octagonal junction box  
Conduit feed cut-out canopy option designed to mount to 4" octagonal junction box  
Twist and lock construction with on visible hardware

**EMERGENCY**

7W output for 90 minutes (+/- 775lm at 95+ CRI). Title 24 Certified  
Remote emergency battery (not accessible through fixture aperture)  
Maximum remote mounting distance: 50ft (12AWG) or 25ft (14AWG)  
Caution: Emergency Battery utilizes more than one power source and servicing should be performed by qualified personnel

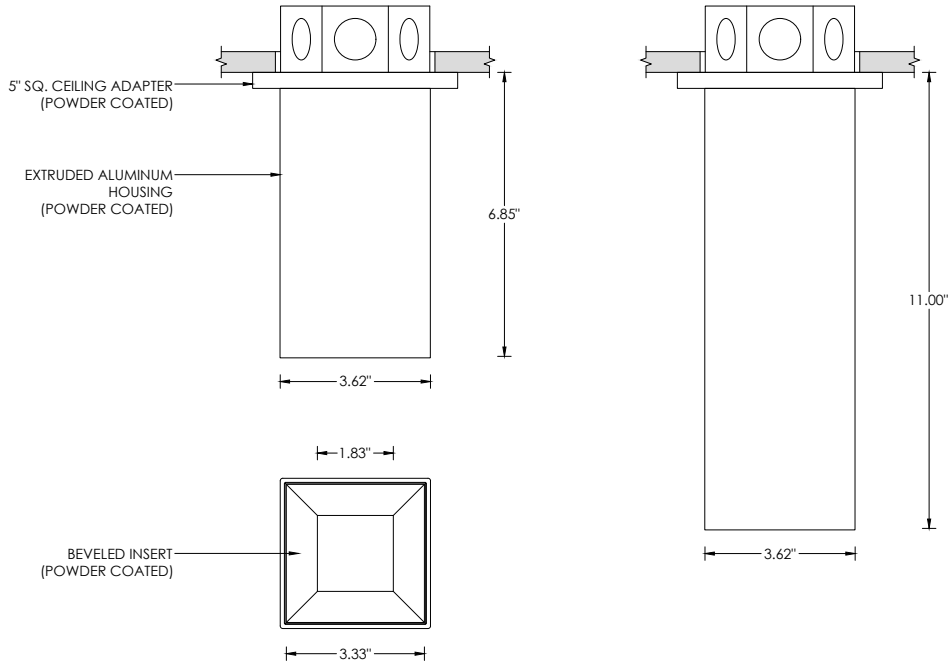
**LISTING**

ETL listed and conforms to UL1598 standard  
Certified to CSA22.2 NO.250.0.  
Rated for dry or damp locations

**WARRANTY**

5 year limited warranty  
LED system rated for operation in ambient environments up to 25°C

**RECESSED 4" OCTAGONAL JUNCTION BOX BY OTHERS**  
STANDARD CANOPY MOUNT



**LUMEN OUTPUT REFERENCE CHART**

3G has upgraded our LED system and overall performance at no additional cost. We now offer 95+CRI as standard. All lumen outputs are delivered lumens. This new LED system is more efficient than our previous 80CRI, 90CRI, and 97CRI options. Please use these charts to cross-reference old lumen outputs with our new, 95+CRI lumen output options

**80CRI REFERENCE CHARTS**

MATCH THE GRADIENT SHADE FROM THE OLD LUMEN OUTPUT CHART TO THE NEW LUMEN OUTPUT OPTION

| OLD 80CRI SPECS |                  |              |                |
|-----------------|------------------|--------------|----------------|
| LUMEN OUTPUT    | DELIVERED LUMENS | SYSTEM WATTS | EFFICACY (LPW) |
| 1000            | 925              | 10.4         | 89             |
| 1500            | 1258             | 14.2         | 89             |
| 2200            | 1832             | 22.5         | 81             |

| NEW 95+CRI SPECS |                  |              |                |
|------------------|------------------|--------------|----------------|
| LUMEN OUTPUT     | DELIVERED LUMENS | SYSTEM WATTS | EFFICACY (LPW) |
| 1000             | 1000             | 9.5          | 111            |
| 1350             | 1350             | 13.1         | 103            |
| 1750             | 1750             | 17.0         | 103            |
| 2000             | 2000             | 19.7         | 101            |

**90CRI REFERENCE CHARTS**

MATCH THE GRADIENT SHADE FROM THE OLD LUMEN OUTPUT CHART TO THE NEW LUMEN OUTPUT OPTION

| OLD 90CRI SPECS |                  |              |                |
|-----------------|------------------|--------------|----------------|
| LUMEN OUTPUT    | DELIVERED LUMENS | SYSTEM WATTS | EFFICACY (LPW) |
| 1000            | 814              | 10.4         | 78             |
| 1500            | 1107             | 14.2         | 78             |
| 2200            | 1612             | 22.5         | 72             |

| NEW 95+CRI SPECS |                  |              |                |
|------------------|------------------|--------------|----------------|
| LUMEN OUTPUT     | DELIVERED LUMENS | SYSTEM WATTS | EFFICACY (LPW) |
| 1000             | 1000             | 9.5          | 111            |
| 1350             | 1350             | 13.1         | 103            |
| 1750             | 1750             | 17.0         | 103            |
| 2000             | 2000             | 19.7         | 101            |