

3G LIGHTING

3G-SDL33SM3

3.3" MICRO MADISON SURFACE MOUNT
7" AND 11" HEIGHT

3.3" high performance adjustable Micro Madison surface mounts
1.2" Regressed LED source with enhanced glare control
Companion to 3G's Madison product family
Machined aluminum trim features 3G's Micro Madison double gimbal
Extruded aluminum housing with powder coated finish
Lumen range up to 1000lm (80+, 90+, and 97+ CRI options)
1% dimming standard with integral driver options



ORDERING INFORMATION

PROJECT:	<input type="text"/>	TYPE:	<input type="text"/>
CATALOG #:	<input type="text"/>	DATE:	<input type="text"/>

CAT. NO	FIXTURE HEIGHT	LUMEN OUTPUT	CRI	COLOR TEMP	BEAM ANGLE
3G-SDL33SM3	7H - 7" HEIGHT	07 - 700 LUMENS*	S80 - 80+ CRI	27K - 2700K	30D - 30°
	11H - 11" HEIGHT	10 - 1000 LUMENS	H90 - 90+ CRI H97 - 97+ CRI ¹	30K - 3000K 35K - 3500K 40K - 4000K	45D - 45° 65D - 65°

* 700 lumens not available in 7H fixture height

VOLTAGE	DRIVER	HOUSING & INSERT FINISH	GIMBAL FINISH
UNV - 120/277V 120 - 120V	DIM - 0-10V (STANDARD 100-1%) LE - PHASE DIMMING ² (TRIAC/ELV, 100-1%)	WH - WHITE BK - BLACK SV - SILVER CF - CUSTOM RAL COLOR	NG - NATURAL BG - BLACK WG - WHITE

¹ 97+ CRI available in 30K and 35K as standard
² Phase dimming options available in 120V only

JULY13, 2021



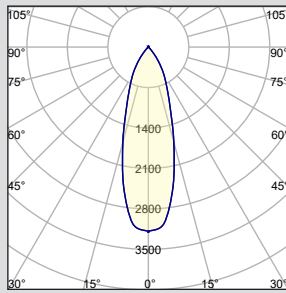
PERFORMANCE CHART BASED ON 65° BEAM ANGLE AND 3500K SOURCE

LUMEN OUTPUT	80+ CRI			90+ CRI			97+ CRI		
	DELIVERED LUMENS	SYSTEM WATTS	EFFICACY (LPW)	DELIVERED LUMENS	SYSTEM WATTS	EFFICACY (LPW)	DELIVERED LUMENS	SYSTEM WATTS	EFFICACY (LPW)
700LMs	729	6.5	112	642	6.5	99	598	6.5	92
1000LMs	1057	9.3	114	930	9.25	101	866	9.25	94

LUMEN OUTPUT ADJUSTMENT FACTORS	CCT	Multiplier
	2700K	0.94
	3000K	0.97
	3500K	1.00
	4000K	1.01

PHOTOMETRY

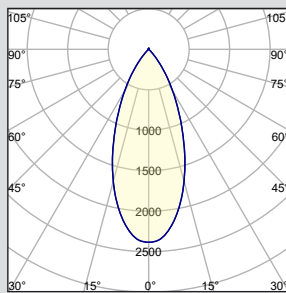
30D - 30° BEAM ANGLE



3G-SDL33SM3-10-S80-35K-30D

TOTAL LUMEN OUTPUT: 1000LMs
 NUMBER OF LIGHTS: 1014LMs
 TOTAL WATTS: 9.3W
 TOTAL EFFICACY: 110LPW
 CRI: 80+
 CCT: 3500K

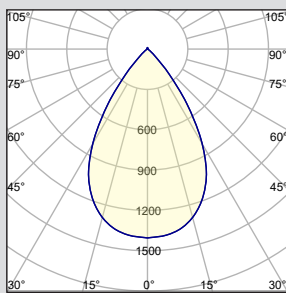
45D - 45° BEAM ANGLE



3G-SDL33SM3-10-S80-35K-45D

TOTAL LUMEN OUTPUT: 1000LMs
 NUMBER OF LIGHTS: 1032LMs
 TOTAL WATTS: 9.3W
 TOTAL EFFICACY: 112LPW
 CRI: 80+
 CCT: 3500K

65D - 65° BEAM ANGLE



3G-SDL33SM3-10-S80-35K-65D

TOTAL LUMEN OUTPUT: 1000LMs
 NUMBER OF LIGHTS: 1057LMs
 TOTAL WATTS: 9.3W
 TOTAL EFFICACY: 114LPW
 CRI: 80+
 CCT: 3500K

TECHNICAL**HOUSING**

Extruded aluminum housing with powder coated finish
Twist and lock construction with no visible hardware

BEVELED INSERT

3.3" machined aluminum trim insert feature 3G's Micro Madison double gimbal
Solid aluminum 30mm double gimbal with dual axis adjustability (35°x35°)

OPTICS

Regressed LED source for enhanced glare control
Proprietary, high performance reflectors. Field replaceable
Available in 30°, 45°, and 65°

ELECTRICAL

Standard 0-10V, constant current drivers with 100-1% dimming range and >0.9 power factor
Standard 120/277V universal voltage drivers
120V Forward Phase/Reverse Phase driver option with 100-1% dimming range
All drivers are integral and easily accessible through fixture aperture

LED SYSTEM

Citizen LED module (field replaceable)
Color consistency <2 SDCM
Standard (80+CRI). Optional (90+ and 97+CRI)
Available in 27K, 30K, 35K, and 40K
L90 >50,000 hours
5 Year Warranty

MOUNTING

All hardware included for mounting to 4" octagonal junction box
Twist and lock mechanism

LISTING

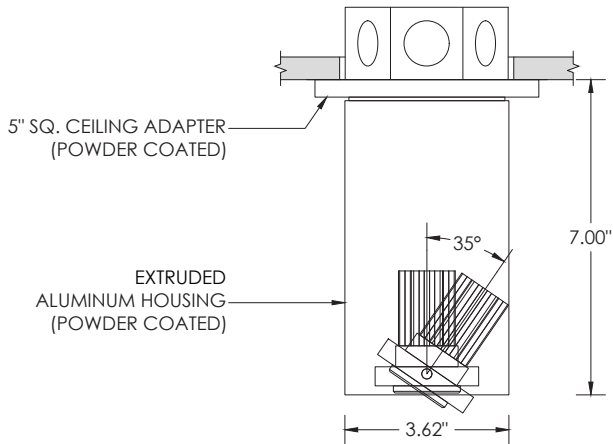
ETL listed and tested to cUL standards. Suitable for dry and damp locations

WARRANTY

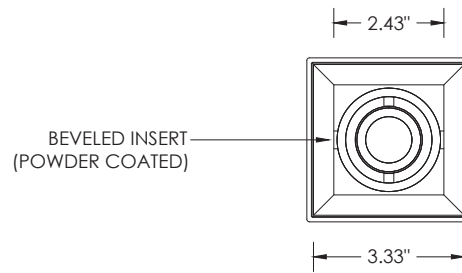
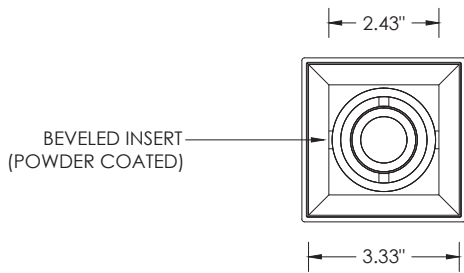
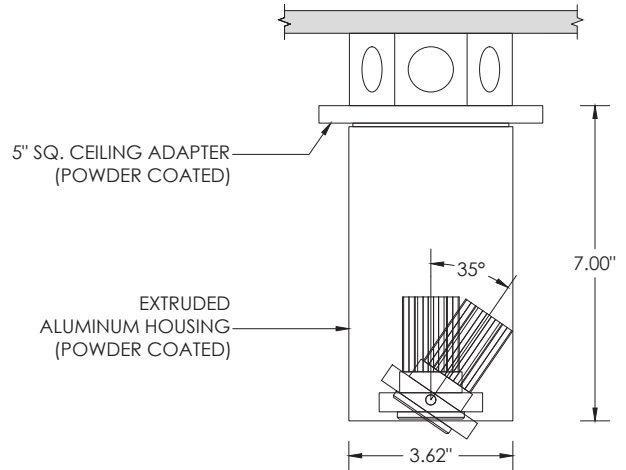
5 Year Warranty on LED and drivers
Manufacturer 1 Year Warranty for defects in material and workmanship under normal use
Ambient temperature at fixture should not exceed 25°C

DRAWINGS AND DIMENSIONS 7" HEIGHT

**RECESSED J-BOX
(4" OCTAGONAL BY OTHERS)**

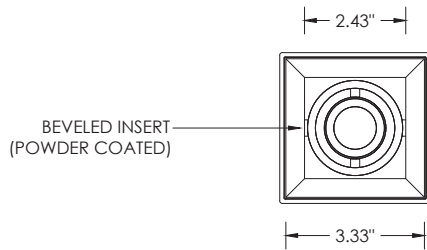
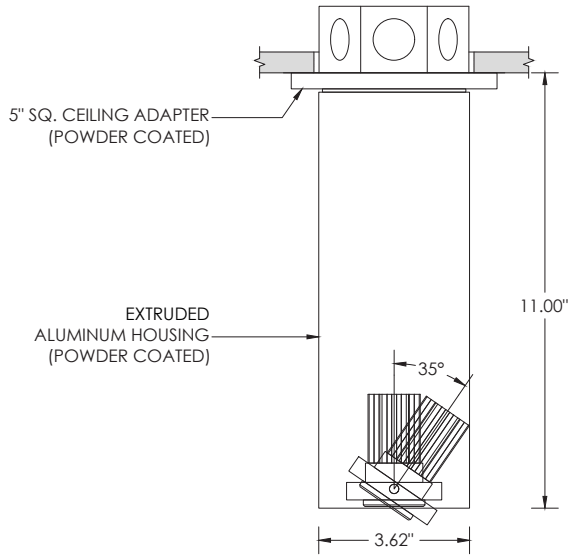


**SURFACE MOUNTED J-BOX
(4" OCTAGONAL BY OTHERS)**



DRAWINGS AND DIMENSIONS 11" HEIGHT

RECESSED J-BOX (4" OCTAGONAL BY OTHERS)



SURFACE MOUNTED J-BOX (4" OCTAGONAL BY OTHERS)

