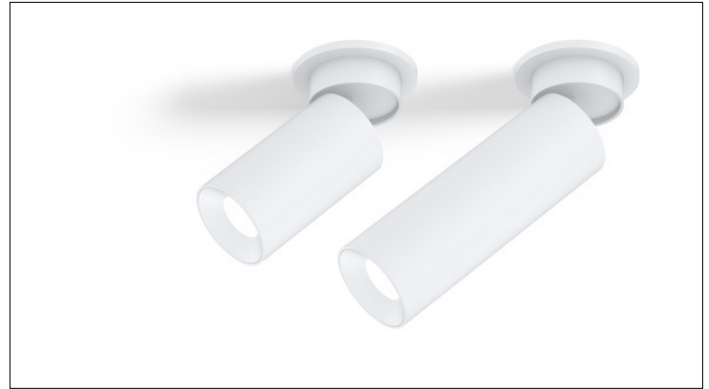


# 3G LIGHTING

## 3G-SDL33RA

3.3" ADJUSTABLE DOWNLIGHT  
CYLINDER 7" AND 11" HEIGHT  
DYNAMIC WHITE

3.3" diameter high performance cylinders  
Companion to 3G-DL33R series downlight family  
Extruded aluminum housing with powder coated finish  
Twist and lock construction and no visible hardware  
Regressed LED source for enhanced glare control  
Adjustable housing with 0-90° tilt and 360° rotation  
Dim to Warm and Tunable White LED options up to 1200lm (90+CRI)  
1% dimming standard with several integral driver options



**3GD 3GT**

<b>PROJECT:</b>		<b>TYPE:</b>	
<b>CATALOG#:</b>		<b>DATE:</b>	<b>QTY:</b>

CAT. NO	FIXTURE HEIGHT	LED SOURCE	LUMEN OUTPUT	CRI	BEAM ANGLE
<b>3G-SDL33RA</b>	<b>7H</b> - 7" HEIGHT <sup>1</sup> <b>11H</b> - 11" HEIGHT	<b>DW</b> - DIM TO WARM (1800-3000K) <b>TW</b> - TUNABLE WHITE <sup>2</sup> (2700-6500K)	<b>08</b> - 800 LUMENS <b>12</b> - 1200 LUMENS	<b>H90</b> - 90+ CRI	<b>20D</b> - 20° <sup>3</sup> <b>30D</b> - 30° <b>40D</b> - 40° <b>50D</b> - 50° <b>60D</b> - 60° <b>90D</b> - 90° *  *90D reflector supplied standard with lens

VOLTAGE	DRIVER	HOUSING FINISH	INSERT FINISH
<b>UNV</b> - 120/277V <b>120</b> - 120V	<b>DIM</b> - 0-10V (100-1%) <b>LE</b> - PHASE DIM <sup>4</sup> (TRIAC/ELV, 100-1%) <b>D01</b> - 0-10V (100-0.1%) <sup>2</sup> <b>DALI</b> - DALI (100-1%) <sup>2,5</sup> <b>DHL2</b> - LUTRON HI-LUME (1% ECOSYSTEM) <b>DMX</b> - DMX (100-0%) <sup>2</sup> <b>RDIM</b> - REMOTE 0-10V (100-1%) <b>RLE</b> - REMOTE PHASE (TRIAC/ELV, 100-1%)	<b>WH</b> - WHITE <b>BK</b> - BLACK <b>SV</b> - SILVER <b>CF</b> - CUSTOM RAL COLOR	<b>WI</b> - WHITE <b>BI</b> - BLACK <b>SI</b> - SILVER <b>CI</b> - CUSTOM RAL COLOR

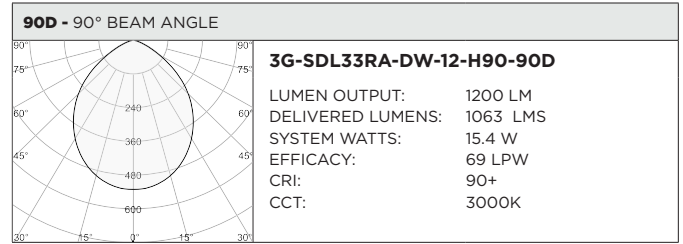
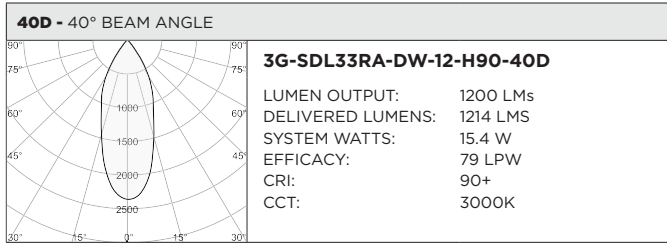
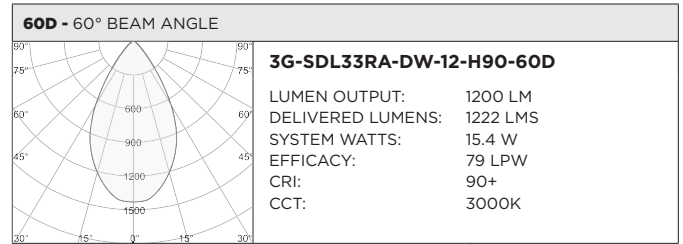
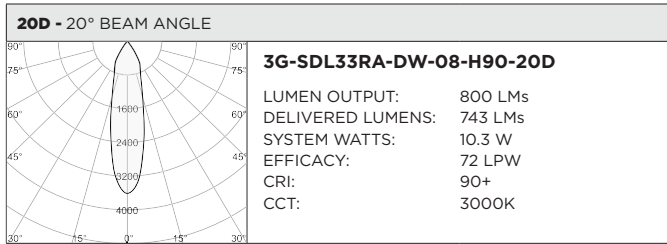
OPTIONS
<b>LS</b> - LINEAR SPREAD LENS <b>SB</b> - SANDBLASTED LENS <b>SF</b> - SOFTENING LENS (SUPPLIED STANDARD) <b>CFW</b> - WHITE CONDUIT FEED CANOPY <b>CFB</b> - BLACK CONDUIT FEED CANOPY <b>CFS</b> - SILVER CONDUIT FEED CANOPY <b>FXC</b> - SEAMLESS CANOPY OPTION *  Maximum 1 optical accessory only Not available with 90D reflector option *Seamless canopy mount (FXC) must be installed prior to ceiling installation

- <sup>1</sup> 7H model available in Dim to Warm only. 800lm max with integral driver (DIM and LE). Select remote driver for 1200lm
- <sup>2</sup> Tunable White option not available in 7" height. 11" model available with D01, DALI and DMX driver options only
- <sup>3</sup> 20D reflector available with 800lm option only
- <sup>4</sup> Phase dimming options available in 120V only
- <sup>5</sup> DALI-2 (Type 6) provided as standard. Consult factory for DALI Type 8 option

**3GD** - Warm Dim  
**3GT** - Tunable White

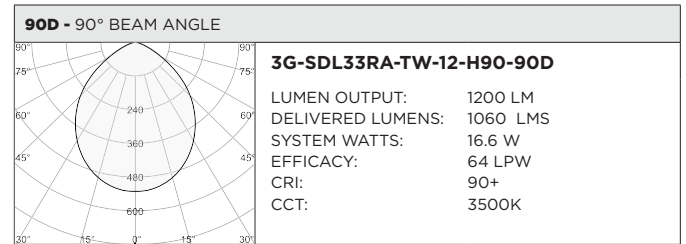
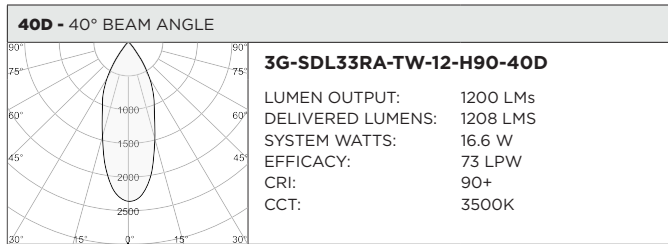
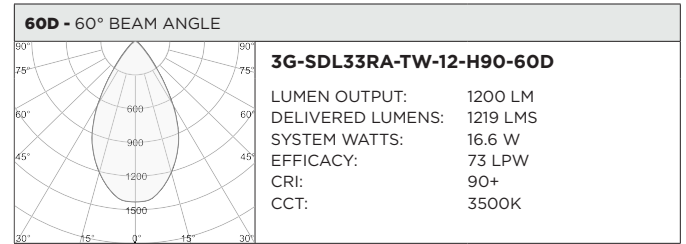
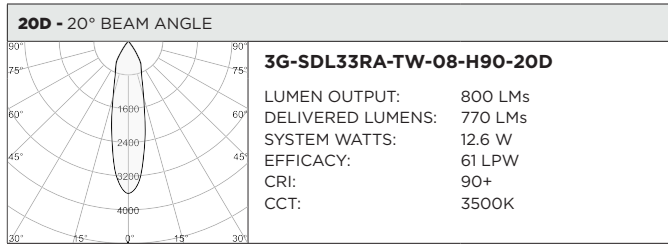
BASED ON 60° BEAM ANGLE AND 3000K SOURCE

LUMEN OUTPUT	90+ CRI		
	DELIVERED LUMENS	SYSTEM WATTS	EFFICACY (LPW)
800LMs	N/A	N/A	N/A
1200LMs	1222	15.4	79



BASED ON 60° BEAM ANGLE

LUMEN OUTPUT	90+ CRI (2700K)			90+ CRI (3500K)			90+ CRI (6500K)		
	DELIVERED LUMENS	SYSTEM WATTS	EFFICACY (LPW)	DELIVERED LUMENS	SYSTEM WATTS	EFFICACY (LPW)	DELIVERED LUMENS	SYSTEM WATTS	EFFICACY (LPW)
<b>800LMs</b>	N/A	N/A	N/A	N/A	N/A	N/A	N/A	N/A	N/A
<b>1200LMs</b>	1136	16.6	68	1219	16.6	73	1342	16.6	81



**HOUSING**

Extruded aluminum housing with powder coated finish  
Twist and lock construction with no visible hardware  
Adjustable housing with 0-90° tilt and 360° rotation features  
proprietary swivel mechanism

**BEVELED INSERT**

3.3" aperture with regressed LED source for enhanced glare control  
Cast aluminum insert with matte powder coated finish

**OPTICS**

Proprietary anodized, aluminum reflectors are field replaceable (20° reflector not interchangeable)  
Available in 20°, 30°, 40°, 50°, 60° and 90°

**MOUNTING**

All hardware included for mounting to 4" octagonal junction box  
Seamless canopy option designed to mount to 4" octagonal junction box for new construction only  
Conduit feed cut-out canopy option designed to mount to 4" octagonal junction box  
Twist and lock mechanism

**WARRANTY**

5 Year Warranty on LED and drivers  
Manufacturer 1 Year Warranty for defects in material and workmanship under normal use  
Ambient temperature at fixture should not exceed 25°C

**ELECTRICAL**

Standard 0-10V, constant current drivers with 100-1% dimming range and >0.9 power factor  
Standard 120/277V universal voltage drivers  
120V Forward Phase/Reverse Phase driver option with 100-1% dimming range  
eldoLED 0-10V driver option available with 100-0.01% dimming range  
eldoLED DALI and Lutron EcoSystem driver options available with 100-1% dimming range  
DMX driver option available with 100-0% dimming range  
All drivers are integral and easily accessible through fixture aperture

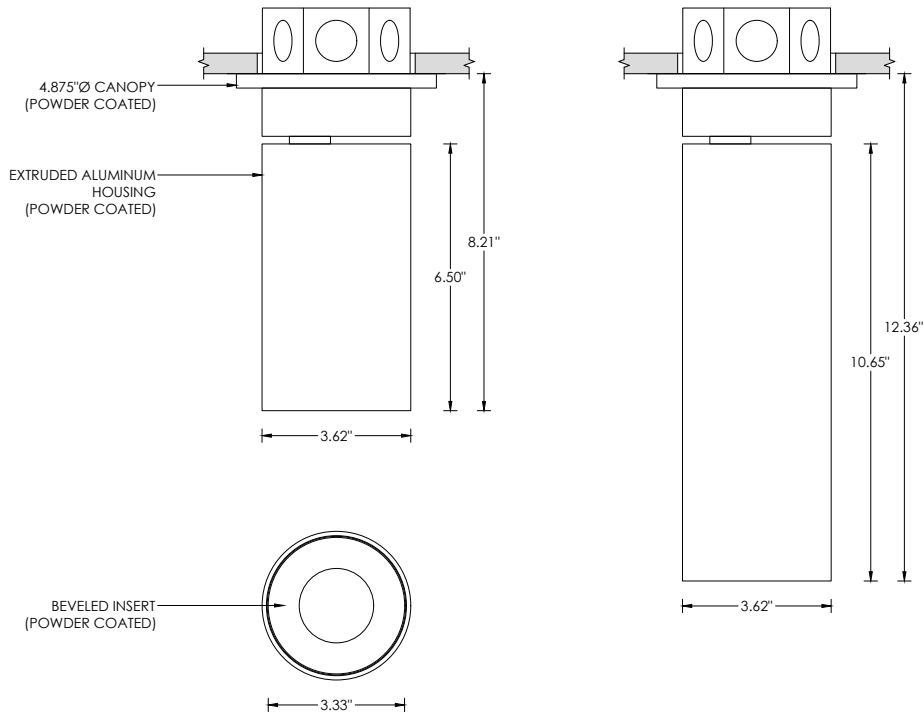
**LED SYSTEM**

Bridgelux LED module (field replaceable)  
Color consistency <3 SDCM  
Standard 90+ CRI  
Dim to Warm (1800K-3000K)  
Tunable White (2700K-6500K)  
L70 >50,000 hours  
5 Year Warranty

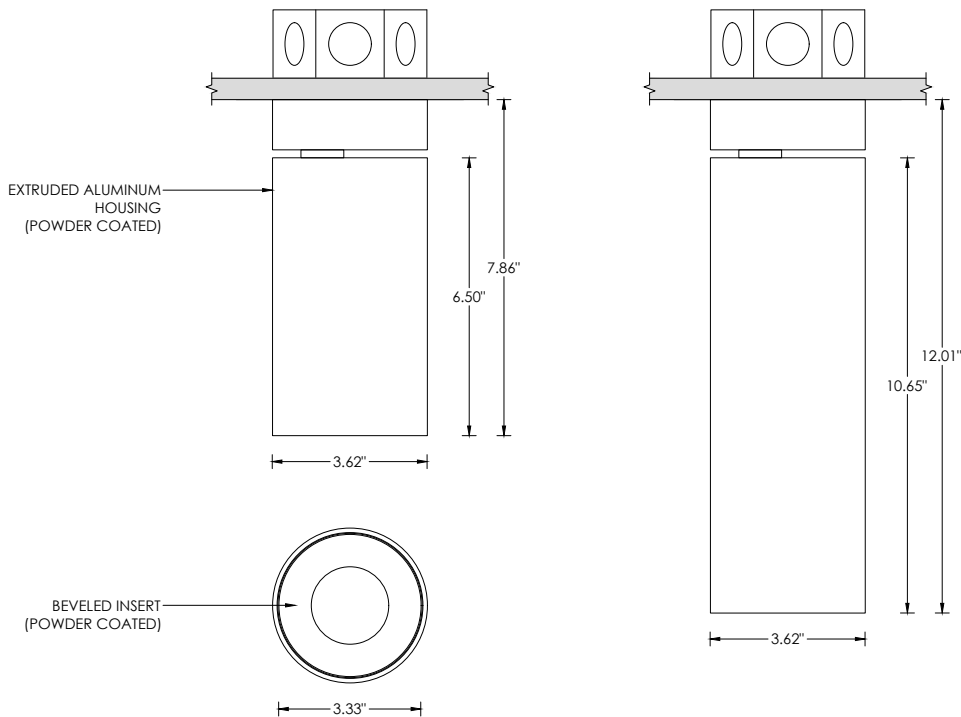
**LISTING**

ETL listed and conforms to UL1598 standard. Certified to CSA22.2 No.250.0.  
Rated for indoor dry or damp locations

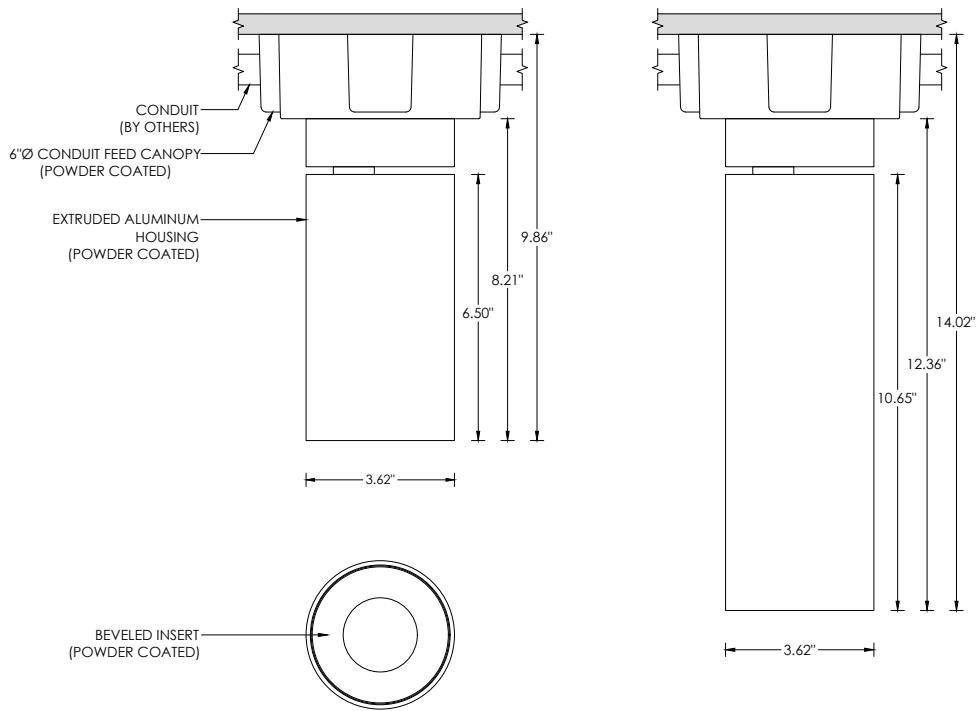
**RECESSED 4" OCTAGONAL JUNCTION BOX BY OTHERS**  
STANDARD CANOPY MOUNT



**RECESSED 4" OCTAGONAL JUNCTION BOX BY OTHERS**  
SEAMLESS CANOPY MOUNT (FXC OPTION) FOR NEW CONSTRUCTION ONLY  
MUST BE INSTALLED ABOVE CEILING MATERIAL. MAXIMUM 1" CEILING THICKNESS



**SURFACE 4" OCTAGONAL X 1.5" DEEP JUNCTION BOX BY OTHERS**  
CONDUIT FEED CANOPY MOUNT (CFX OPTION)



**CONDUIT FEED CANOPY MOUNTING OPTIONS**

