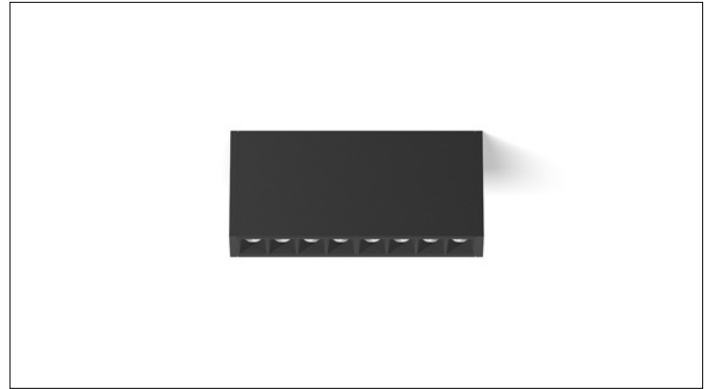


# 3G LIGHTING

## 3G-SMZ8

8" ZOIE SURFACE MOUNT



8" linear surface mount with narrow 1.14" aperture and extruded aluminum housing  
 Regressed LED source with enhanced glare control and UGR <16  
 Standard 90+ CRI LED system with performance up to 134 LPW  
 Delivered lumen range up to 2000lm at 90+ CRI  
 15° to 55° beam angle options suitable for various applications  
 Matte black and matte white multi faceted louvers  
 Companion to 3G's Zoie product family

<b>PROJECT:</b>		<b>TYPE:</b>	
<b>CATALOG#:</b>		<b>DATE:</b>	<b>QTY:</b>

CAT. NO	LUMEN OUTPUT	CRI	COLOR TEMP	BEAM ANGLE	VOLTAGE
<b>3G-SMZ8</b>	<b>10</b> - 1000 LUMENS <b>15</b> - 1500 LUMENS <b>20</b> - 2000 LUMENS  <small>All lumen outputs are delivered lumens at 90+ CRI</small>	<b>H90</b> - 90+ CRI	<b>27K</b> - 2700K <b>30K</b> - 3000K <b>35K</b> - 3500K <b>40K</b> - 4000K	<b>15D</b> - 15° <b>35D</b> - 35° <b>55D</b> - 55°	<b>UNV</b> - 120/277V <b>120</b> - 120V

DRIVER	HOUSING FINISH	LOUVER FINISH
<b>DIM</b> - 0-10V (100-1%) <b>LE</b> - PHASE DIM (TRIAC/ELV, 100-1%) <sup>1</sup> <b>RD01</b> - 0-10V (100-0.1%) <b>RDALI</b> - REMOTE DALI (100-1%) <sup>2</sup> <b>RDMX</b> - REMOTE DMX (100-0%) <b>RDHL2</b> - REMOTE LUTRON (100-0%)	<b>WH</b> - WHITE <b>BK</b> - BLACK <b>SV</b> - SILVER	<b>WLV</b> - WHITE <b>BLV</b> - BLACK

<sup>1</sup> Phase dimming option available in 120V only

<sup>2</sup> DALI-2 (Type 6) provided as standard. Please consult factory for DALI (Type 8) options

**PERFORMANCE**

LUMEN OUTPUT	DELIVERED LUMENS	SYSTEM WATTS	EFFICACY (LPW)
1000	1000	8.0	125
1500	1500	13.7	109
2000	2026	18.9	107

BASED ON 90+ CRI, 3500K, 35D OPTIC  
Lumen output and actual wattage may vary +/- 5%

**MULTIPLIERS**

BEAM ANGLE	
15D	0.94
35D	1.00
55D	0.80

COLOR TEMP	
2700K	0.94
3000K	0.97
3500K	1.00
4000K	1.07

**HOUSING**

Extruded aluminum housing with narrow 1.5" aperture  
Machined aluminum end caps  
Standard polyester powder coated housing finish available in matte white, black, and silver

**OPTICS**

Proprietary multi-faceted reflectors with UGR <16  
Beam angles available in 15°, 35°, and 55°  
1.14" apertures with enhanced glare control  
Matte black or matte white faceted louver finish

**ELECTRICAL**

Standard 0-10V, constant current drivers  
100-1% dimming range and >0.9 power factor  
120V Forward Phase/Reverse Phase driver option (100-1%)  
Integral and remote driver options available  
Integral driver options easily accessible through luminaire aperture

**LED SYSTEM**

Standard 90+ CRI, <2 SDCM  
Available in 27K, 30K, 35K, and 40K  
L90 > 60,000 hours

**MOUNTING**

Suitable for surface mounted applications  
Suitable for drywall, concrete, wood, grid ceiling, and other architectural ceilings  
Fixture mounts to a standard, 2" x 4" slotted junction box (by others)  
Fixture suspended via 1/4"-20 threaded rod (by others)  
Universal mounting kits provided for various ceiling types

**LISTING**

ETL listed and conforms to UL1598 standard  
Certified to CSA22.2 NO.250.0.  
Rated for dry locations

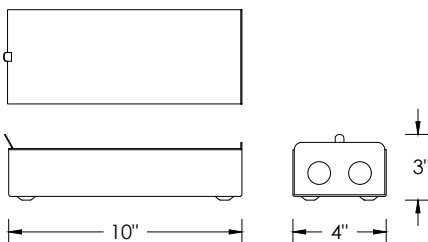
**WARRANTY**

5 year limited warranty  
LED system rated for operation in ambient environments up to 25°C

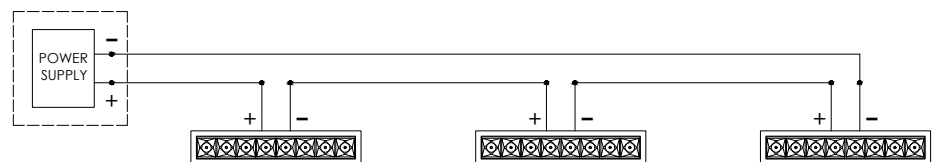
**REMOTE DRIVER OPTIONS**

3G DRIVER CODE	DIMMING METHOD	DIMMING RANGE	VOLTAGE	MAX. DISTANCE	NUMBER OF 3G-RMZ8
<b>RDO1</b>	0-10V	100-0.1%	120-277V	100ft (12AWG)	<b>1 to 2</b>
<b>RDALI</b>	DALI	100-1%	120-277V	100ft (12AWG)	<b>1 to 2</b>
<b>RDMX</b>	DMX	100-0.1%	120-277V	100ft (12AWG)	<b>1 to 2</b>
<b>RDHL2</b>	LUTRON ECOSYSTEM	100-0.1%	120-277V	100ft (12AWG)	<b>1</b>

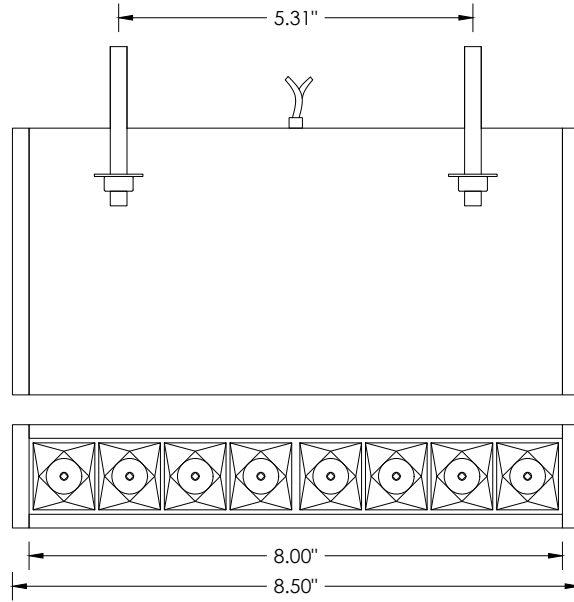
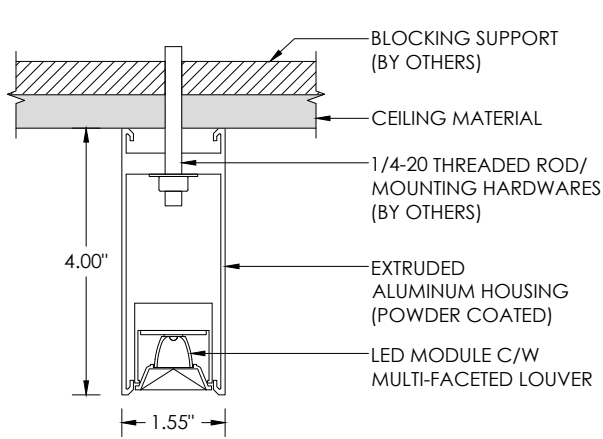
**REMOTE DRIVER ENCLOSURE**



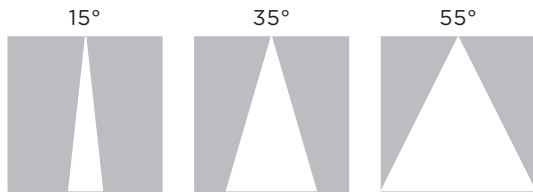
**WIRING DIAGRAM**



Multiple Zoie fixtures must be connected in series



**BEAM ANGLE**



**MOUNTING DETAILS**

