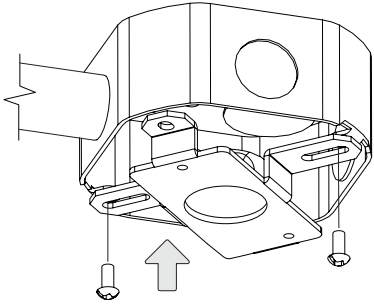
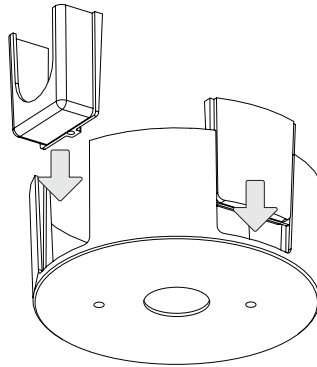


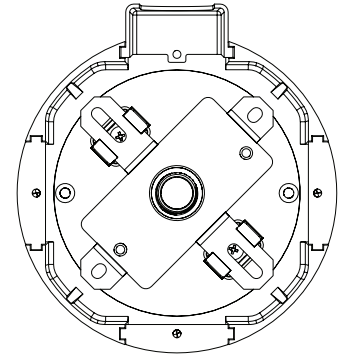
1 CONDUIT FEED CANOPY



2

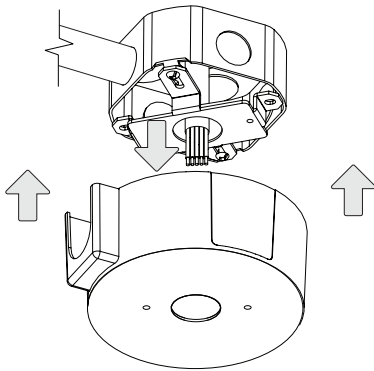


3



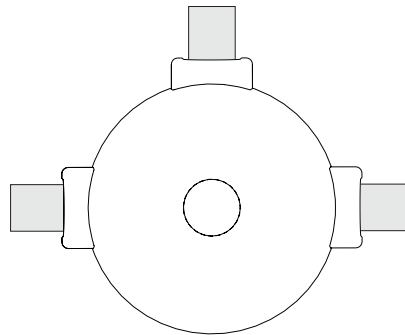
ENSURE CANOPY CLIPS ALIGN WITH BRACKET

4



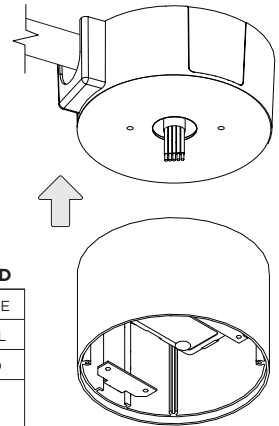
CONNECT CANDUIT CANOPY AND FEED JUNCTION BOX WIRES THROUGH HOLE

5



! CANOPY IS SUITABLE FOR MAXIMUM 3 CONDUIT FEEDS

6 POWER CANOPY

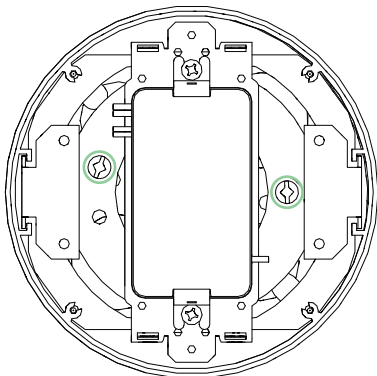


WIRING LEGEND

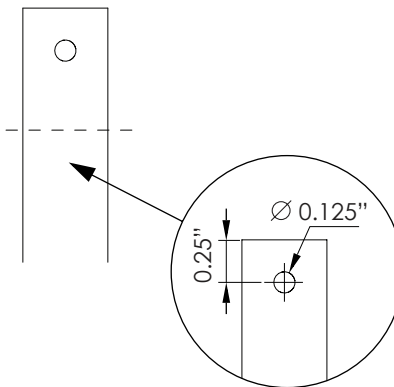
BLACK	HOT/LINE
WHITE	NEUTRAL
GREEN	GROUND
ORANGE	(DIM-)
PINK	(DIM-)
BLUE	(DIM-)
PURPLE	(DIM+)
RED	(DIM+)

! MAKE WIRING CONNECTIONS

7

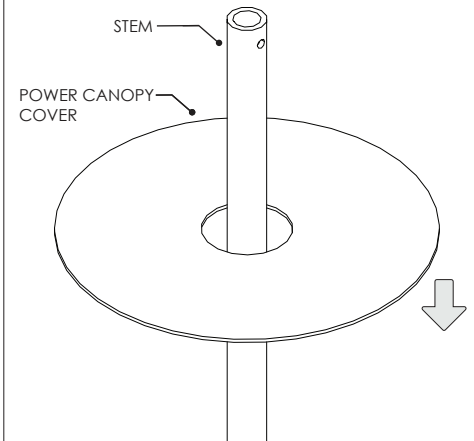


8

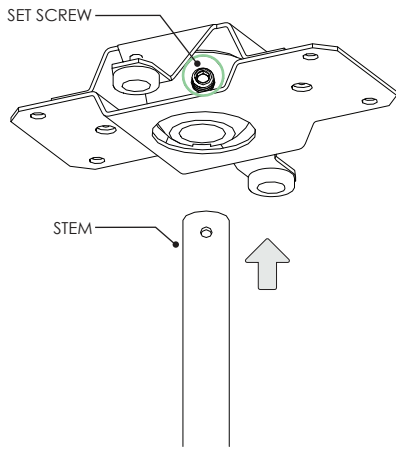


! CUT STEM LENGTH IF APPLICABLE

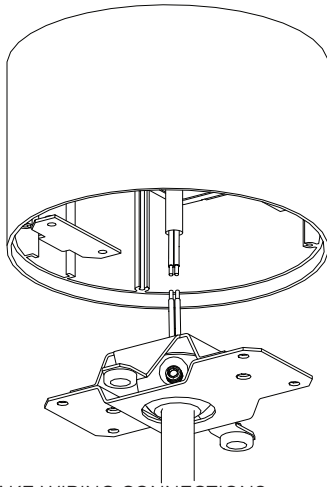
9



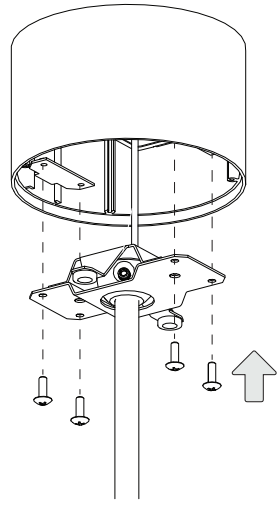
10



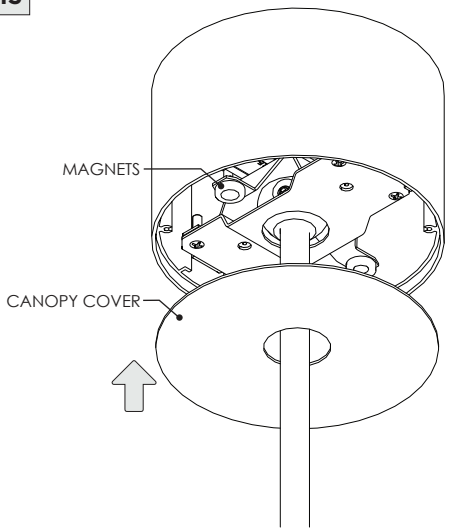
11



12



13



DRIVER SERVICING

1

Diagram 1 shows a top-down view of the driver housing with four screws being removed. An upward-pointing arrow indicates the direction of removal.

2

Diagram 2 shows the driver housing being lowered into the cylinder. A downward-pointing arrow indicates the direction of movement. A label 'DRIVER' points to the housing.

LED SERVICING

1

Diagram 1 shows the louver being unclipped from the LED assembly. A label 'LOUVER' points to the component. A downward arrow indicates the direction of movement.

UNCLIP LOUVER FROM LED ASSEMBLY

2

Diagram 2 shows the center cap being unclipped from the LED assembly. A label 'CENTER CAP' points to the component. A downward arrow indicates the direction of movement.

CENTER CAP

UNCLIP CENTER CAP FROM LED ASSEMBLY

3

Diagram 3 shows a top-down view of the LED assembly with the center screw located.

LOCATE CENTER SCREW

4

Diagram 4 shows the center screw being unscrewed from the LED assembly. A downward arrow indicates the direction of movement.

UNSCREW CENTER SCREW TO REMOVE LED ASSEMBLY

5

Diagram 5 shows the quick-connect cable being disconnected from the LED assembly. A label 'QUICK-CONNECT CABLE' points to the component. Arrows indicate the disconnection points.

QUICK-CONNECT CABLE

DISCONNECT QUICK-CONNECT CABLE FROM LED ASSEMBLY

6

Diagram 6 shows the quick-connect cable being connected to the new LED assembly. A label 'QUICK-CONNECT CABLE' points to the component. Arrows indicate the connection points.

QUICK-CONNECT CABLE

CONNECT QUICK-CONNECT CABLE TO NEW LED ASSEMBLY

7

Diagram 7 shows the new LED assembly being screwed into the cylinder. An upward arrow indicates the direction of movement.

SCREW NEW LED ASSEMBLY INTO CYLINDER

8

Diagram 8 shows the center cap being attached to the LED assembly. A label 'CENTER CAP' points to the component. An upward arrow indicates the direction of movement.

CENTER CAP

9

Diagram 9 shows the louver being attached to the LED assembly. A label 'LOUVER' points to the component. An upward arrow indicates the direction of movement.

LOUVER