



3Gi-2RSL, and 3Gi-4RSL
2", and 3.5" INTEGRATED RECESSED SLOT
 FLANGELESS/TRIM FLANGE



⚠ FOR NEW CONSTRUCTION INSTALLATION ONLY

ⓘ THE IMAGES SHOWN ARE FOR ILLUSTRATION PURPOSES ONLY AND MAY NOT BE AN EXACT REPRESENTATION OF THE PRODUCT

FIXTURE TYPES		INCLUDED COMPONENTS				
<p>3Gi-2RSL 3Gi-4RSL</p>	<p>Standalone Fixtures (2' to 8')</p> <p>INDIVIDUAL LENS</p>	<p>Continuous Runs (9' to 16')</p> <p>STARTER ENDER LENS</p>				
<p>Continuous Runs (17' and longer)</p> <p>STARTER JOINER ENDER LENS</p>	<p>INTEGRATED OPTIONS</p> <table border="0"> <tr> <td> <p>3G-1RSL</p> <p>NON ILLUMINATED</p> <p>1.5" LINIA</p> <p>ZOIE</p> <p>WALL WASH ZOIE</p> </td> <td> <p>3G-2RSL</p> <p>2" LINIA</p> <p>1" DOWNLIGHT</p> </td> <td> <p>3G-4RSL</p> <p>3.5" LINIA</p> <p>ADJUSTABLE ZOIE</p> <p>MICRO MADISON</p> <p>2" DOWNLIGHT</p> </td> </tr> </table>			<p>3G-1RSL</p> <p>NON ILLUMINATED</p> <p>1.5" LINIA</p> <p>ZOIE</p> <p>WALL WASH ZOIE</p>	<p>3G-2RSL</p> <p>2" LINIA</p> <p>1" DOWNLIGHT</p>	<p>3G-4RSL</p> <p>3.5" LINIA</p> <p>ADJUSTABLE ZOIE</p> <p>MICRO MADISON</p> <p>2" DOWNLIGHT</p>
<p>3G-1RSL</p> <p>NON ILLUMINATED</p> <p>1.5" LINIA</p> <p>ZOIE</p> <p>WALL WASH ZOIE</p>	<p>3G-2RSL</p> <p>2" LINIA</p> <p>1" DOWNLIGHT</p>	<p>3G-4RSL</p> <p>3.5" LINIA</p> <p>ADJUSTABLE ZOIE</p> <p>MICRO MADISON</p> <p>2" DOWNLIGHT</p>				

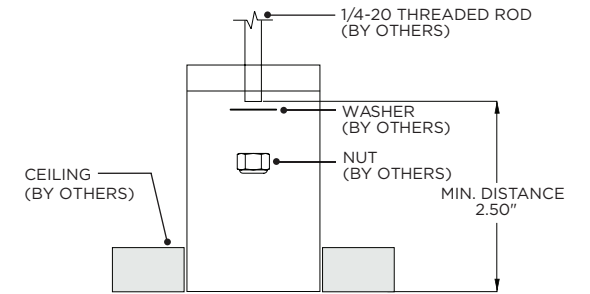
INSTRUCTION KEY	INFORMATION
⚠	ADDITIONAL
ⓘ	ATTENTION
⚡	POWER ON
ⓧ	POWER OFF
	<p>INSTALLATION SHOULD ONLY BE PERFORMED BY A CERTIFIED ELECTRICIAN REFER TO LOCAL/NATIONAL CODES FOR PROPER INSTALLATION FAILURE TO FOLLOW INSTALLATION INSTRUCTION MAY VOID THE WARRANTY DO NOT TOUCH LEDS. LEDS MUST BE PROTECTED FROM MECHANICAL STRESS OR DEBRIS TURN OFF POWER DURING INSTALLATION OR SERVICING</p>

OVERVIEW

FLANGELESS - FX



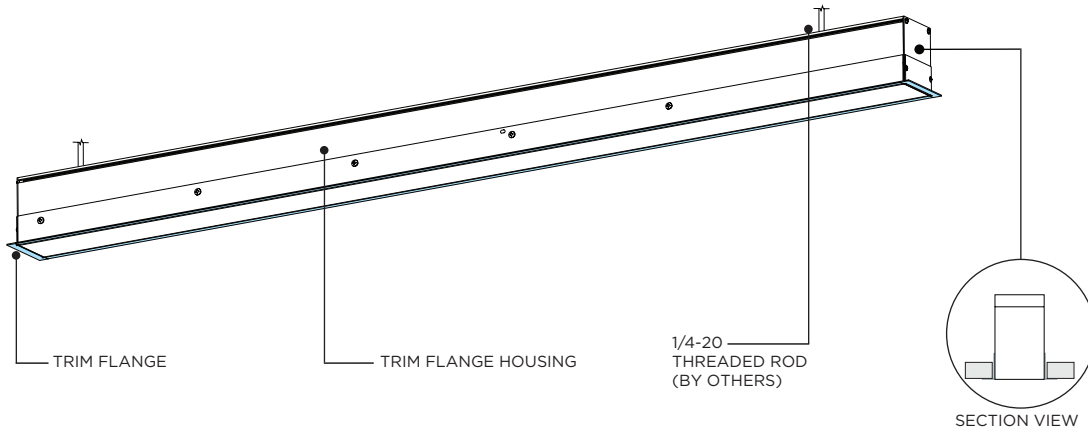
FLANGELESS - FX



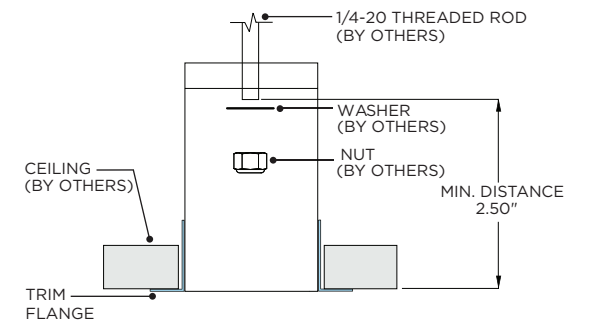
FLANGELESS - FX - CEILING CUT-OUT DIMENSIONS

FIXTURE TYPE	WIDTH	LENGTH
3Gi-2RSL	2.063"	LENGTH + 0.125"
3Gi-4RSL	3.490"	LENGTH + 0.125"

WHITE TRIM FLANGE - WT



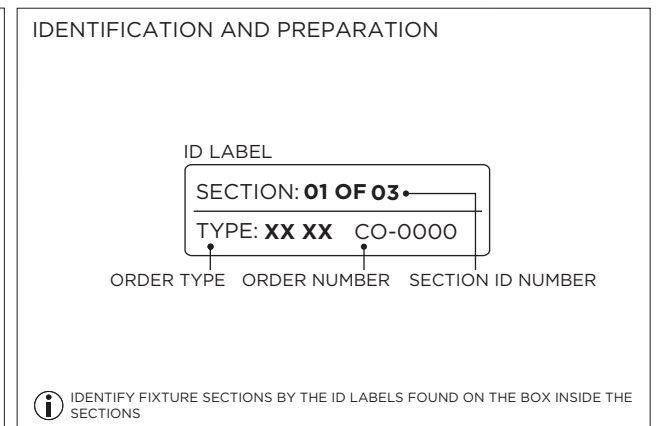
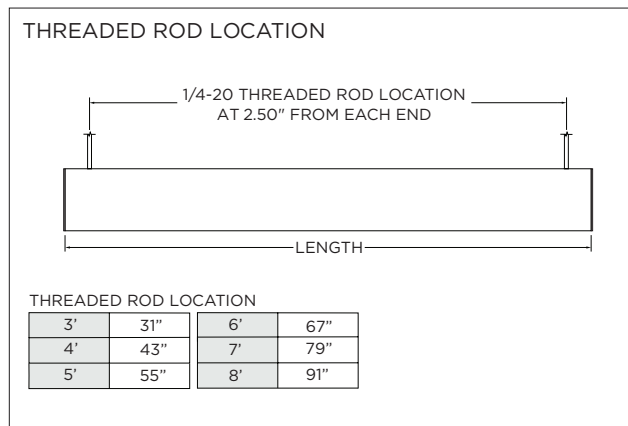
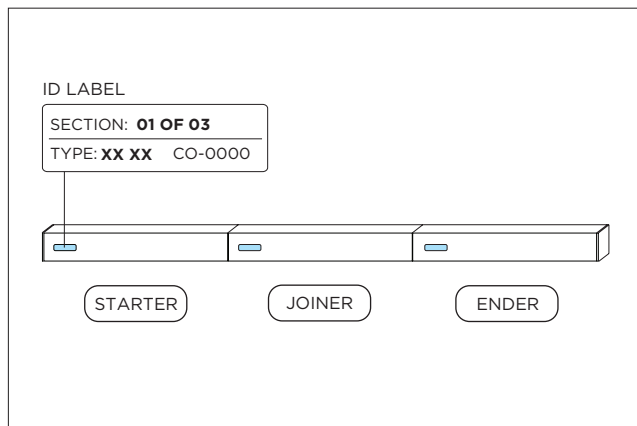
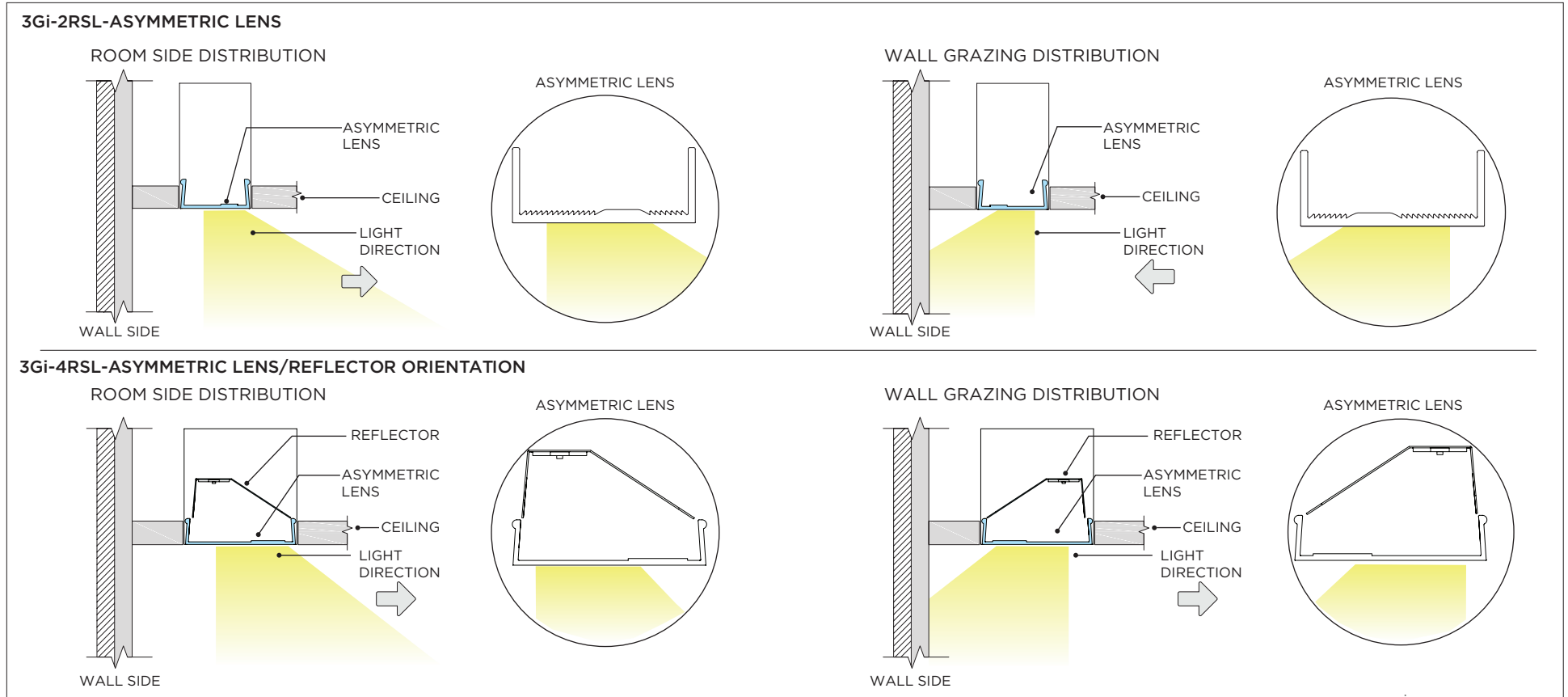
WHITE TRIM FLANGE - WT



WHITE TRIM FLANGE - WT - CEILING CUT-OUT DIMENSIONS

FIXTURE TYPE	WIDTH	LENGTH
3Gi-2RSL	2.300"	LENGTH + 0.380"
3Gi-4RSL	3.750"	LENGTH + 0.380"

ASYMMETRIC LENS ORIENTATION



1A DOWNLIGHT REMOVAL

DOWNLIGHT ASSEMBLY
 SPRING CLIPS

i REMOVE DOWNLIGHT ASSEMBLIES FROM START AND END OF ALL SECTIONS WHERE APPLICABLE

1A

QUICK-CONNECT CABLE

DISCONNECT SAFETY CABLE & QUICK-CONNECT CABLE FROM LED ASSEMBLY

1A ZOIE REMOVAL

LOUVER

i REMOVE DOWNLIGHT ASSEMBLIES FROM START AND END OF ALL SECTIONS WHERE APPLICABLE

1B

HANDLE
 ZOIE ASSEMBLY

i PULL ON HANDLES TO REMOVE ZOIE ASSEMBLY

1C

QUICK-CONNECT CABLE

DISCONNECT SAFETY CABLE & QUICK-CONNECT CABLE FROM LED ASSEMBLY

2 FIXTURE INSTALLATION

CONDUIT (BY OTHERS)
 1/4-20 THREADED ROD (BY OTHERS)
 CEILING CUTOUT

3

CONDUIT (BY OTHERS)
 POWER FEED END CAP
 POWER FEED LOCATION

WIRING LEGEND	
BLACK	HOT/LINE
WHITE	NEUTRAL
GREEN	GROUND
ORANGE	(DIM+)
PURPLE	(DIM-)

i MAKE WIRING CONNECTIONS

3A **i** IF APPLICABLE:

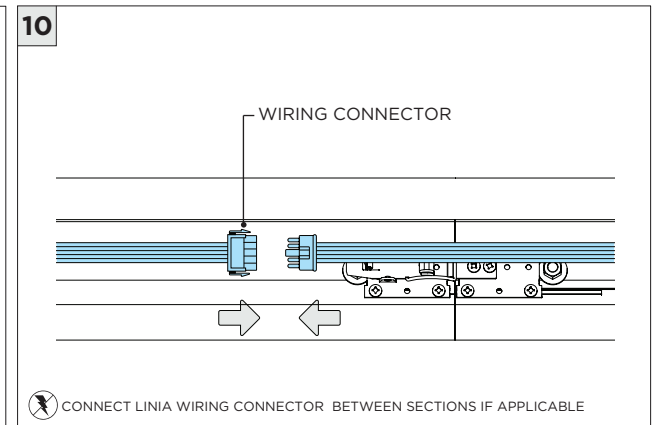
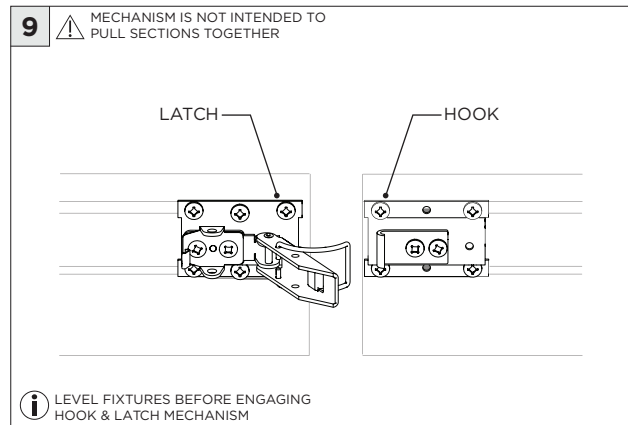
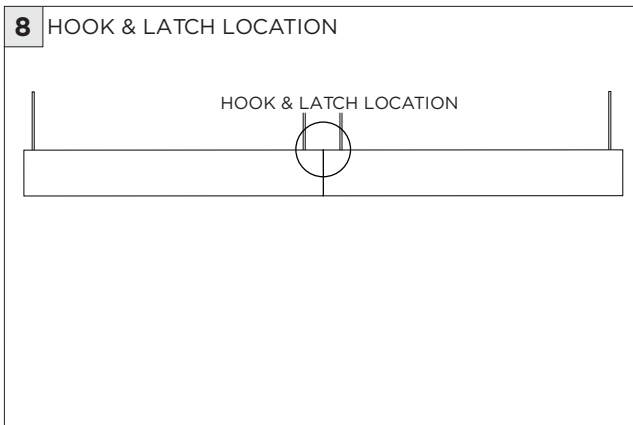
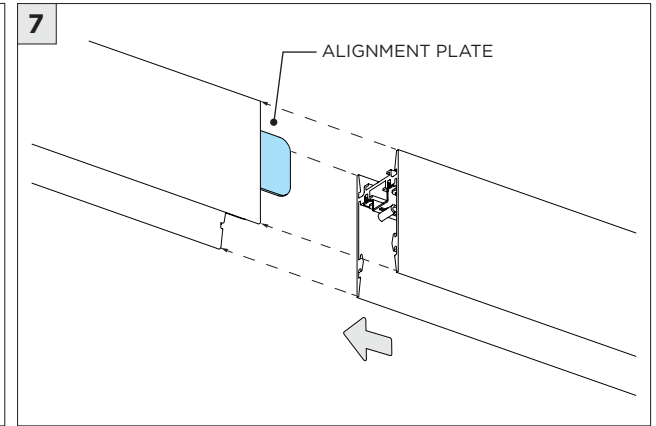
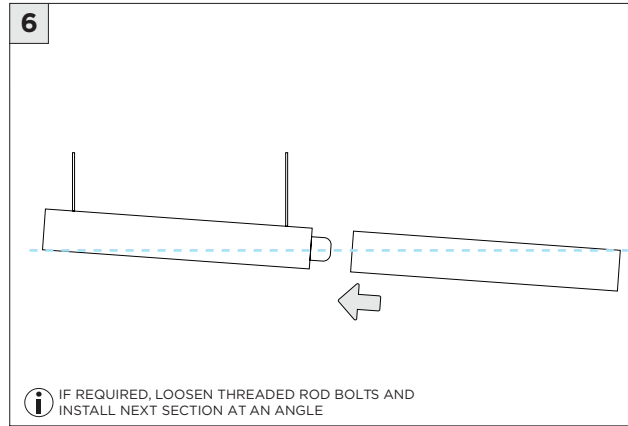
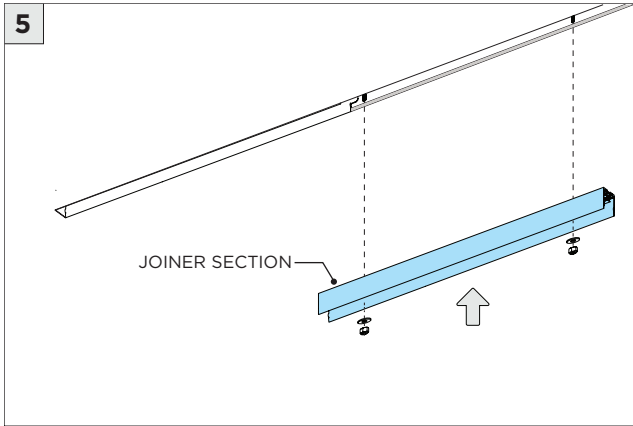
CONDUIT AND DOUBLE FEED CONNECTOR (BY OTHERS)

USE DOUBLE FEED CONNECTOR (BY OTHERS) FOR DUAL CIRCUIT

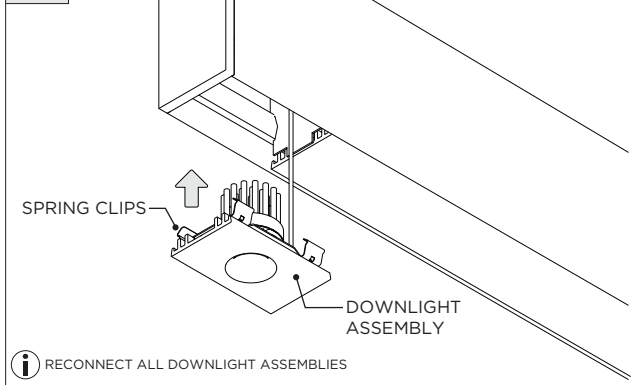
4

1/4-20 THREADED ROD (BY OTHERS)
 WASHER (BY OTHERS)
 NUT (BY OTHERS)

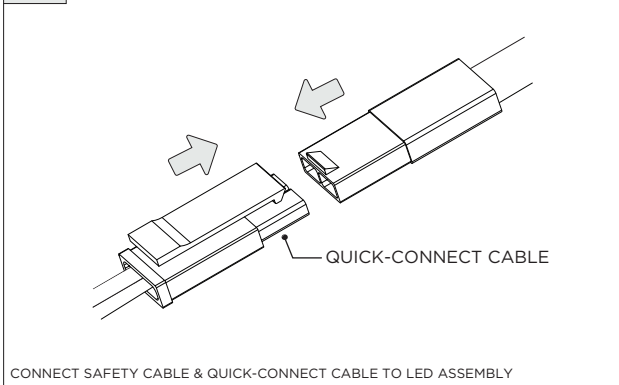
i FOR 3Gi-4RSL-DASY FIXTURES SEE PAGE 3 BEFORE MOUNTING



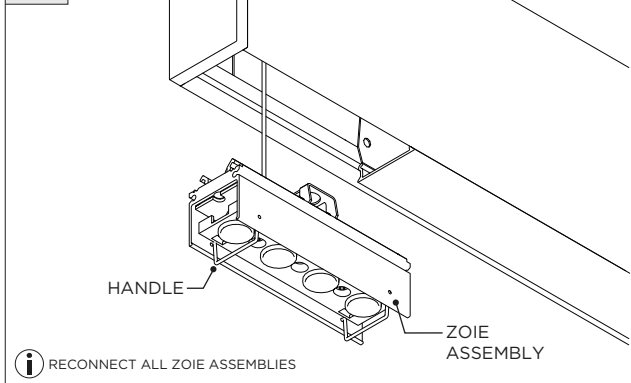
11A DOWNLIGHT INSTALLATION



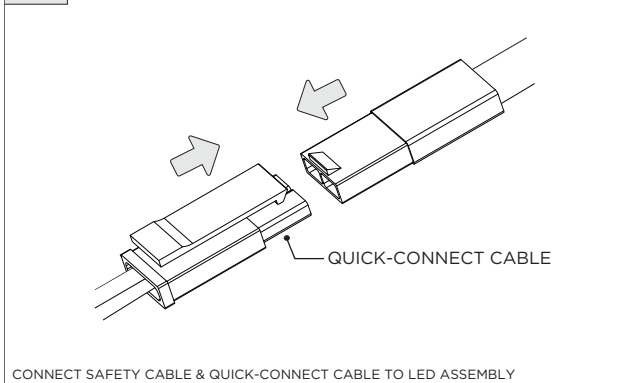
11A



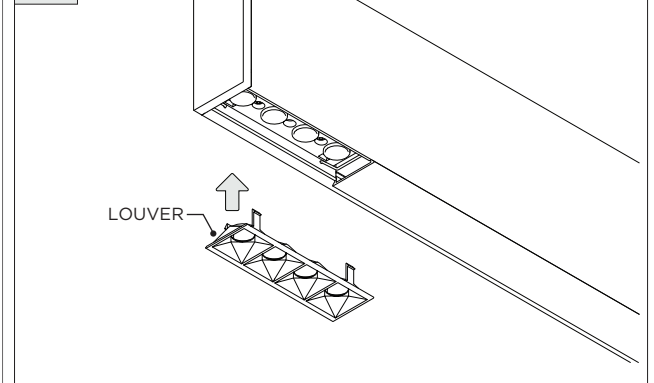
11B ZOIE INSTALLATION



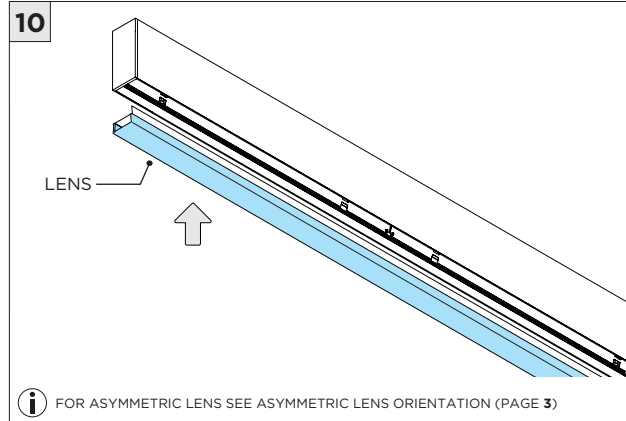
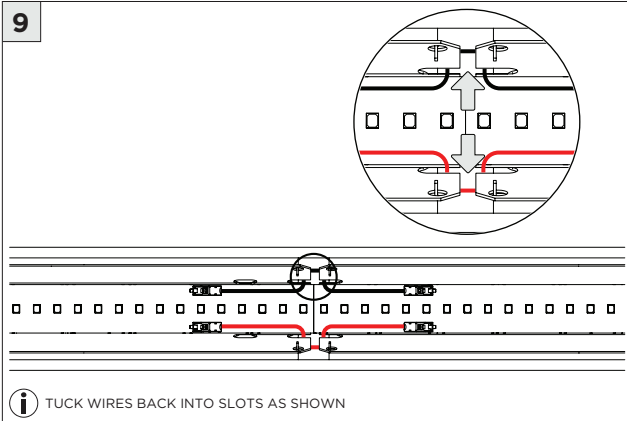
11B



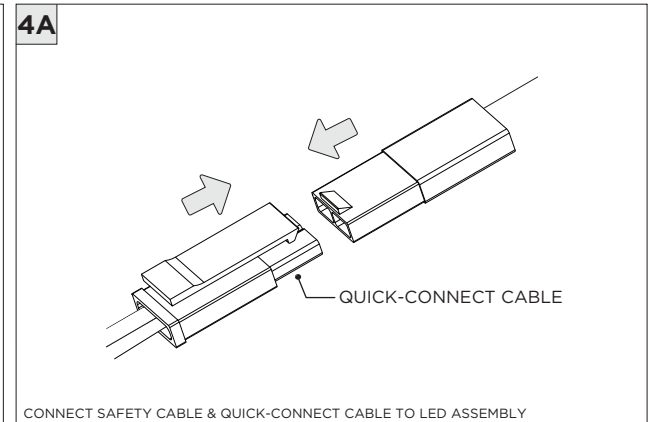
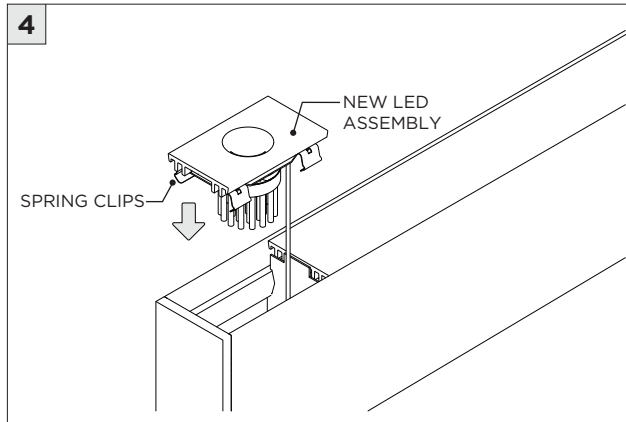
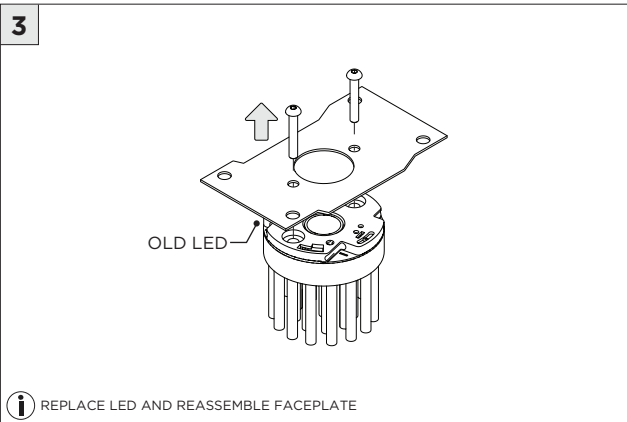
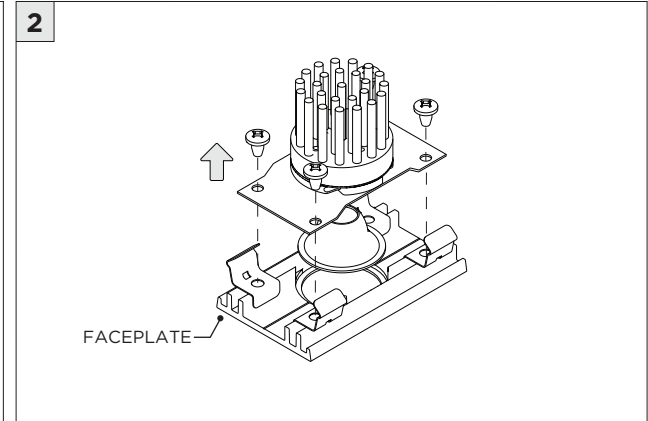
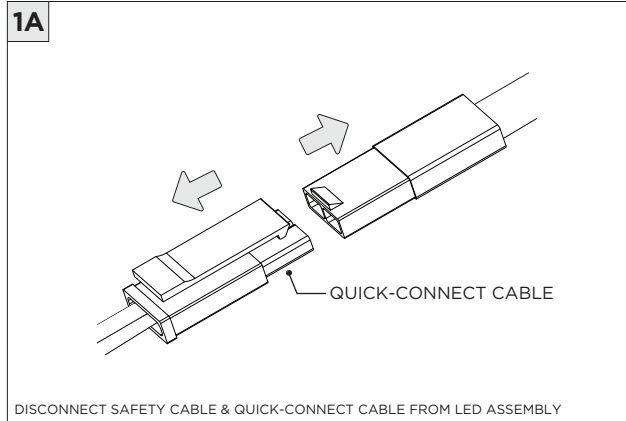
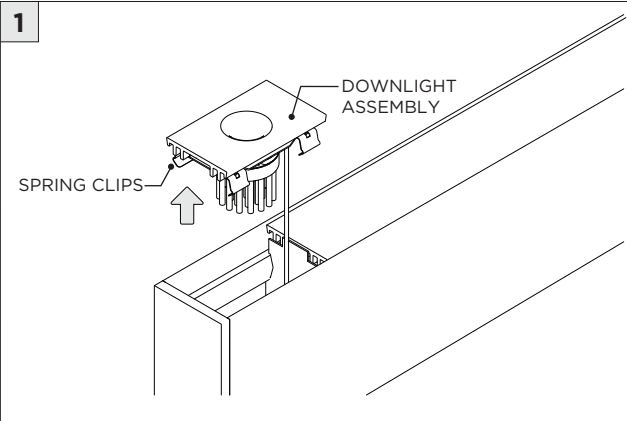
11B



LED SERVICING



DOWNLIGHT SERVICING



ZOIE SERVICING

