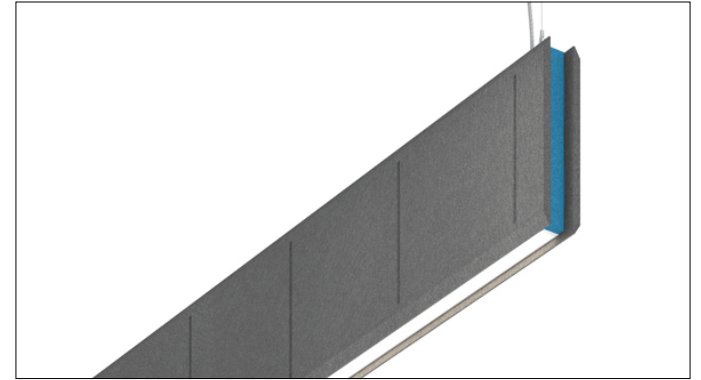
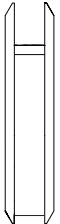
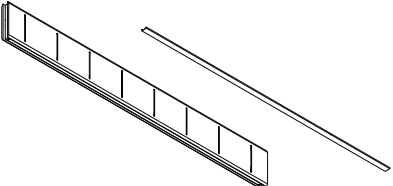
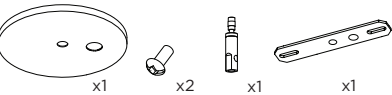
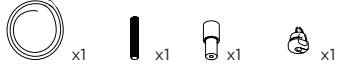
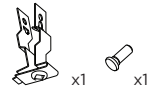

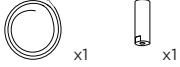
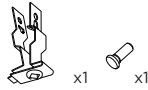








# 3G-1PLA/3G-1PZA 1.5" ACOUSTIC PENDANT

DIRECT/DIRECT-INDIRECT/INDIRECT

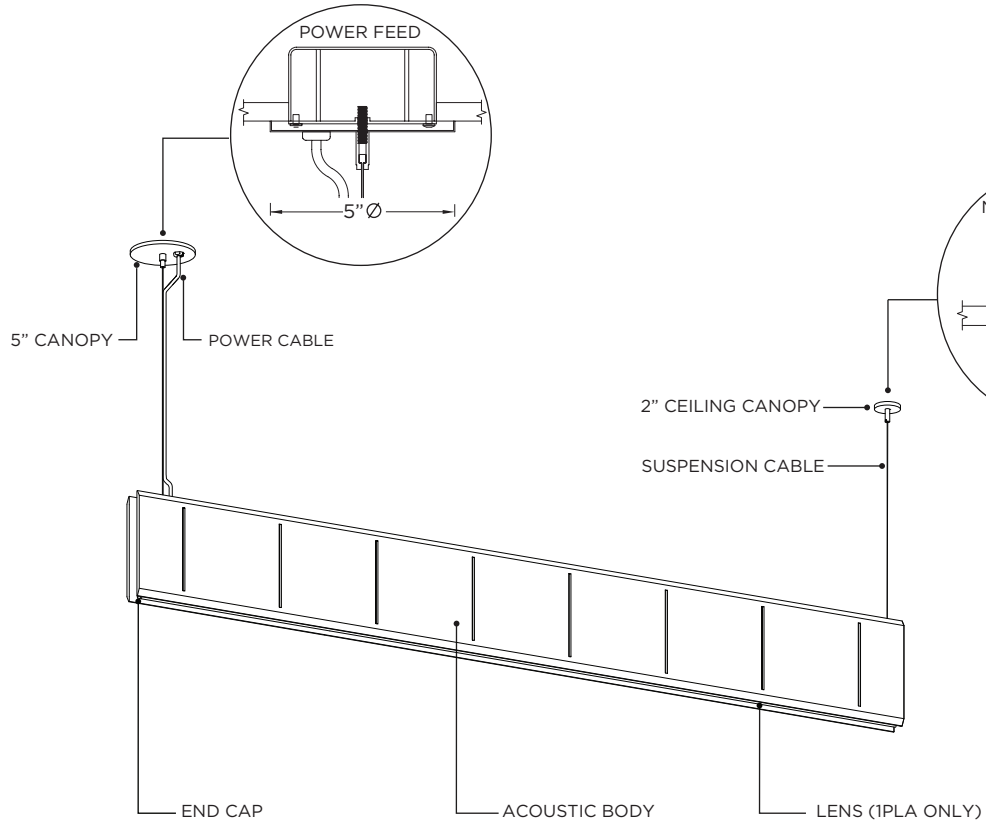


FIXTURE TYPES		INCLUDED COMPONENTS	
13G-1PLA-PROFILE 		<b>Standalone Fixtures (2' to 8')</b>  STANDALONE      LENS (IPLA ONLY)	
<b>Power feed kit</b>   <i>i</i> FOR GRID CEILING APPLICATION 		<b>Non - Power feed kit</b>   <i>i</i> FOR GRID CEILING APPLICATION 	

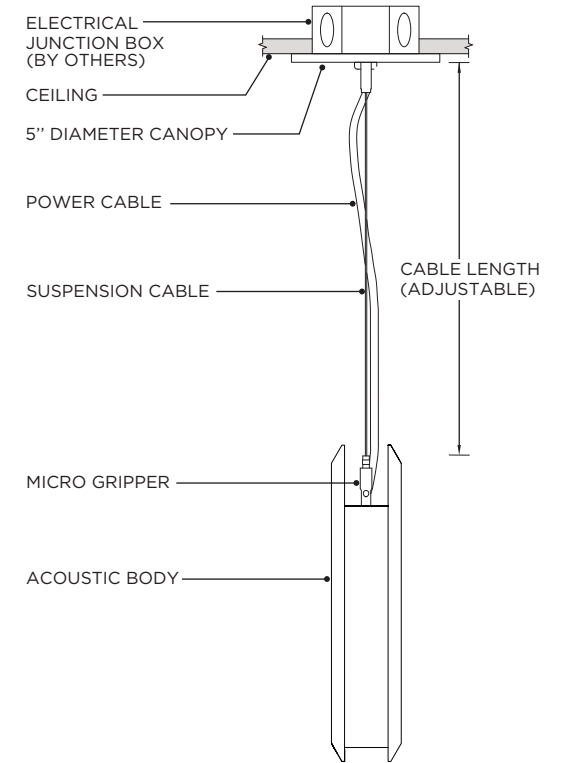
INSTRUCTION KEY	INFORMATION
 ADDITIONAL	INSTALLATION SHOULD ONLY BE PERFORMED BY A CERTIFIED ELECTRICIAN
 ATTENTION	REFER TO LOCAL/NATIONAL CODES FOR PROPER INSTALLATION
 POWER ON	FAILURE TO FOLLOW INSTALLATION INSTRUCTION MAY VOID THE WARRANTY
 POWER OFF	DO NOT TOUCH LEDS. LEDS MUST BE PROTECTED FROM MECHANICAL STRESS OR DEBRIS
	TURN OFF POWER DURING INSTALLATION OR SERVICING

OVERVIEW

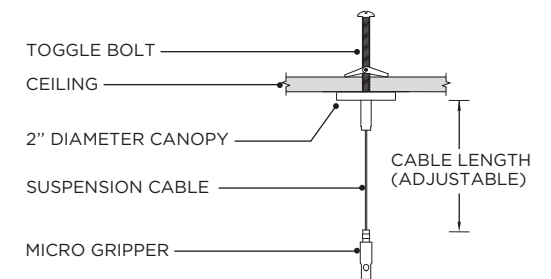
3G-1PLA/1PZA - DRYWALL SUSPENSION



POWER FEED SUSPENSION

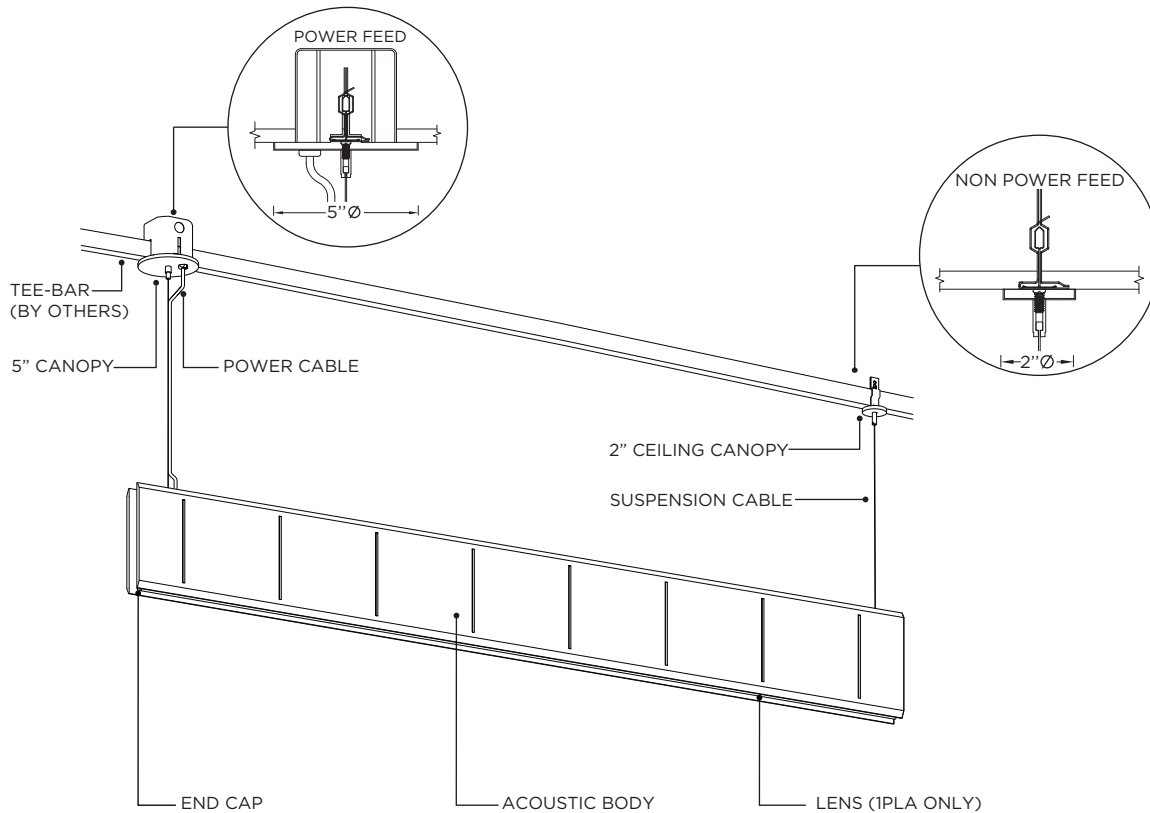


NON - POWER FEED SUSPENSION

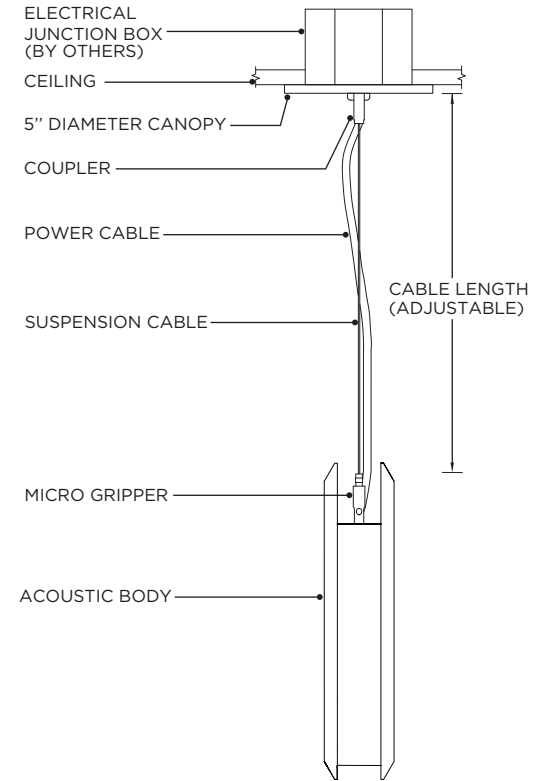


OVERVIEW

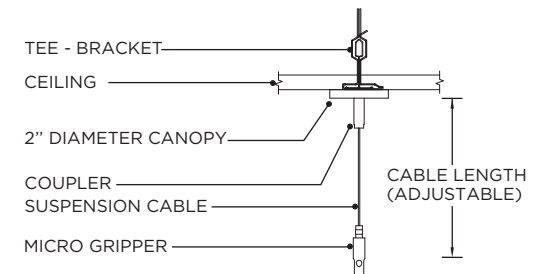
3G-1PLA/1PZA - GRID CEILING - GCX



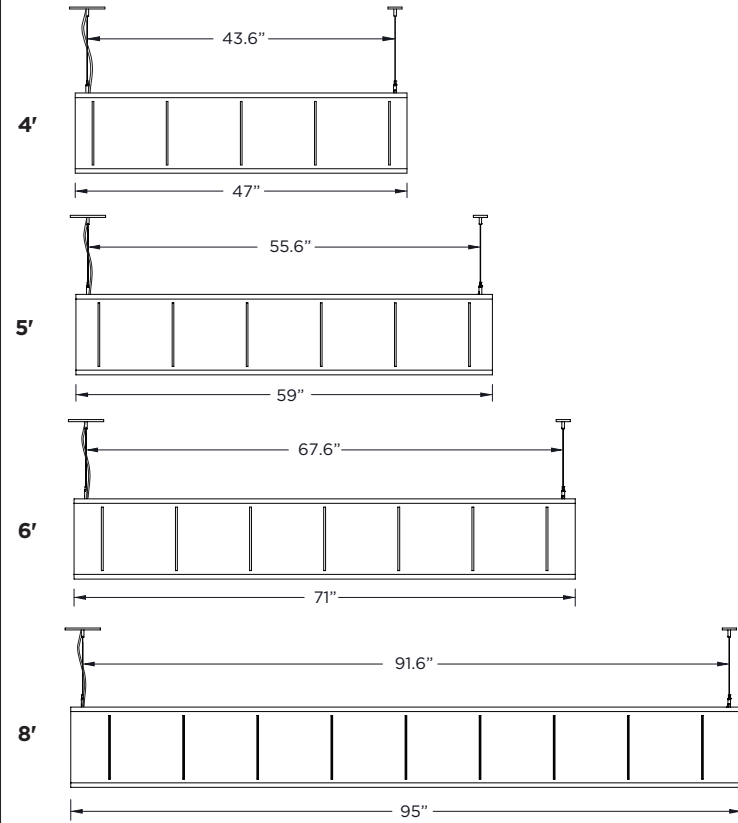
POWER FEED SUSPENSION



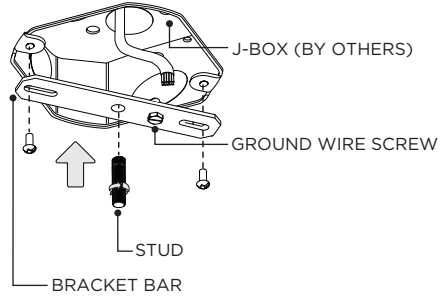
NON - POWER FEED SUSPENSION



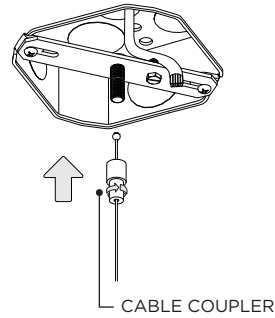
**SUSPENSION CABLE LOCATION**



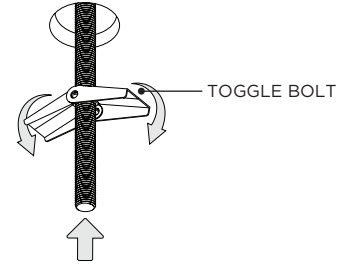
**1** DRYWALL SUSPENSION - POWER FEED



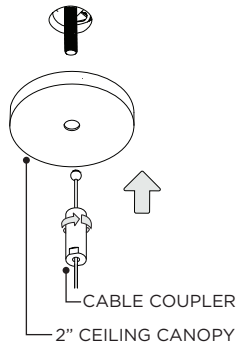
**1A**



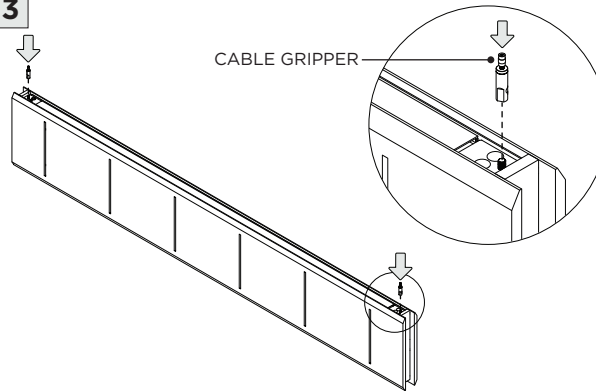
**2** DRYWALL SUSPENSION - NON-POWER FEED



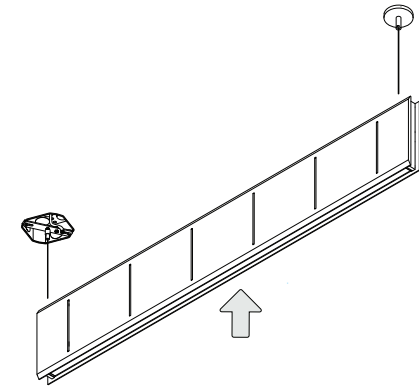
**2A**



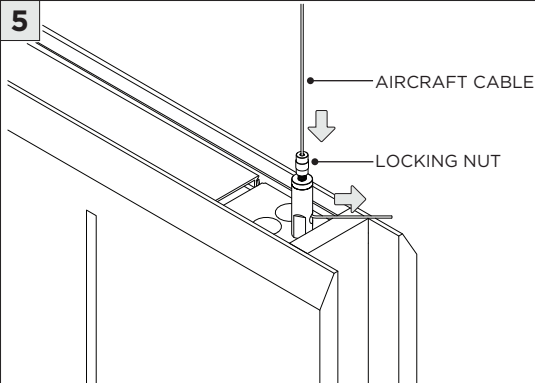
**3**



**4**

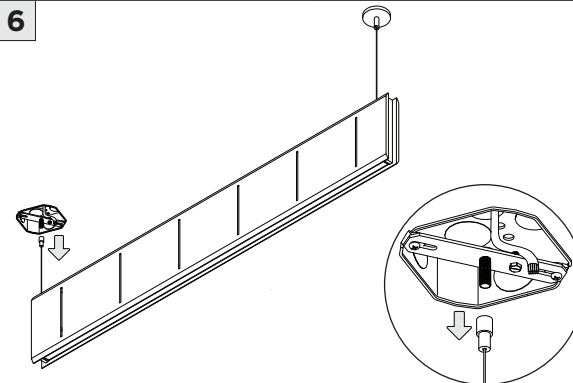


**5**



**i** ADJUST CABLE LENGTH AND LOCK IN PLACE WITH LOCKING NUT

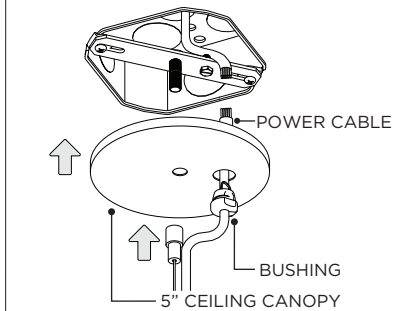
**6**

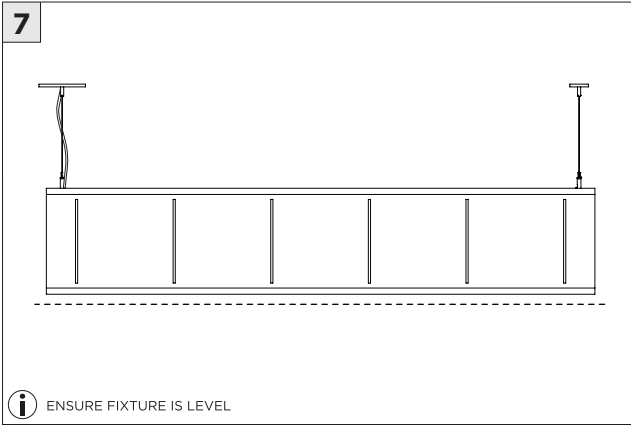


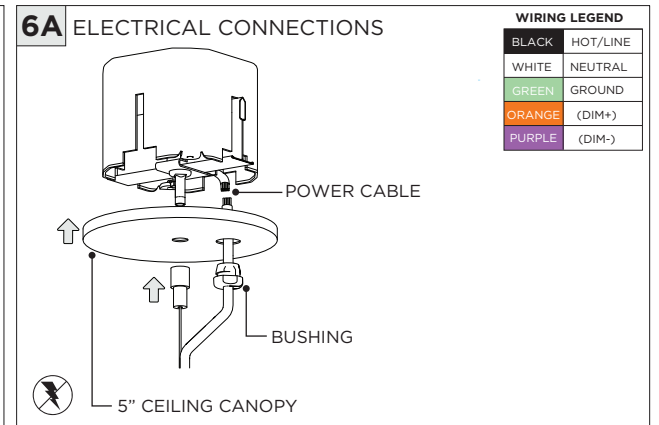
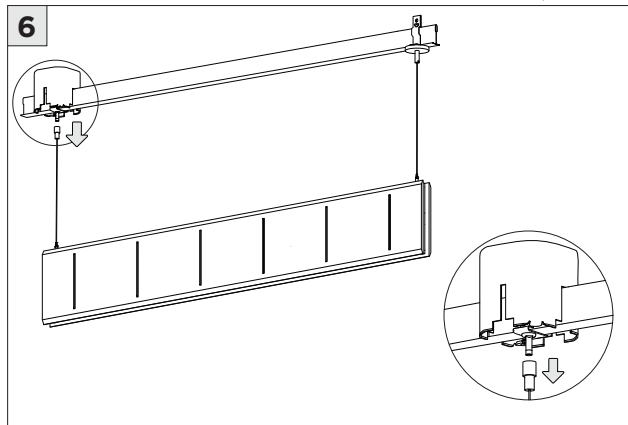
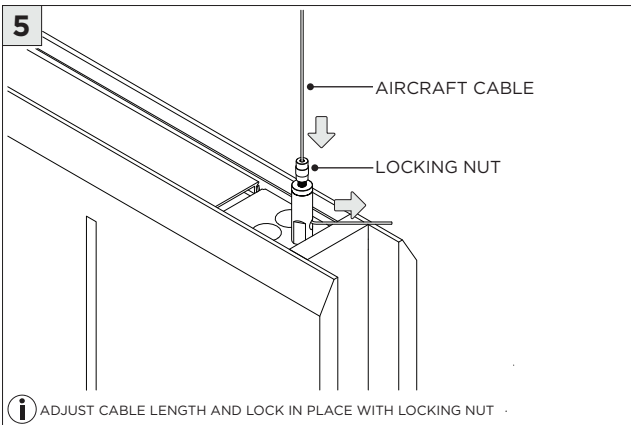
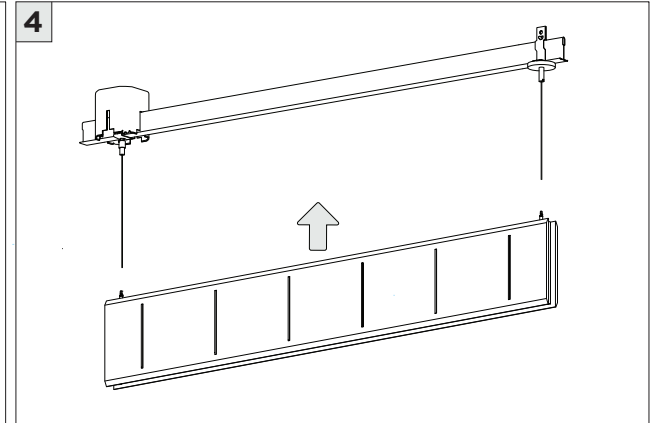
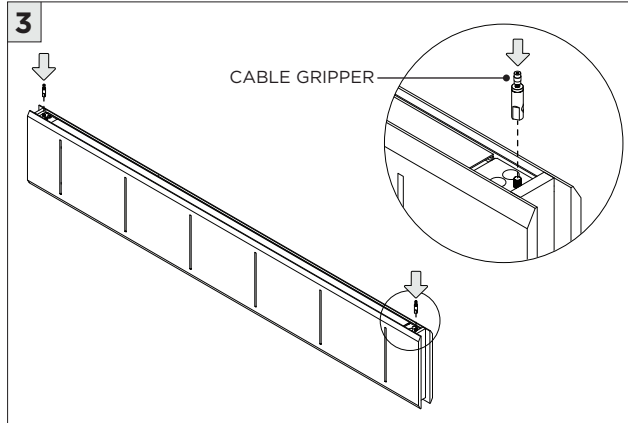
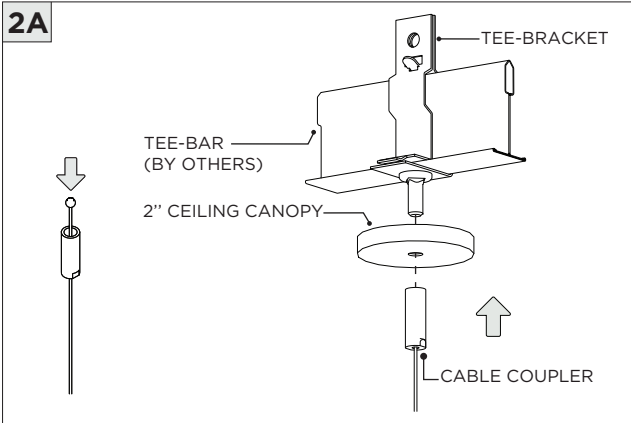
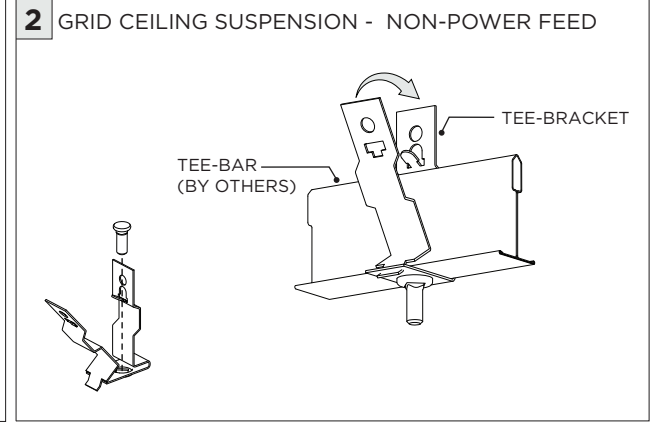
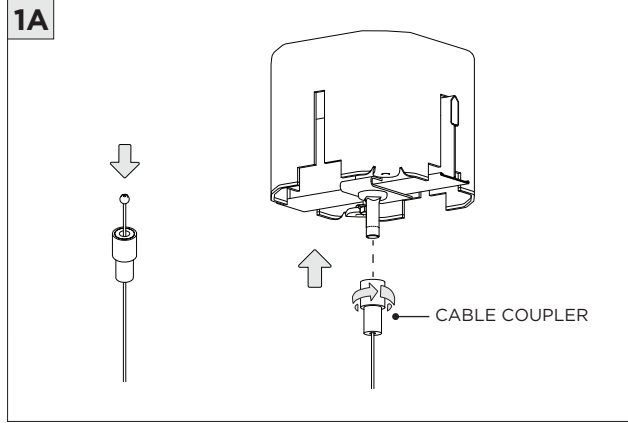
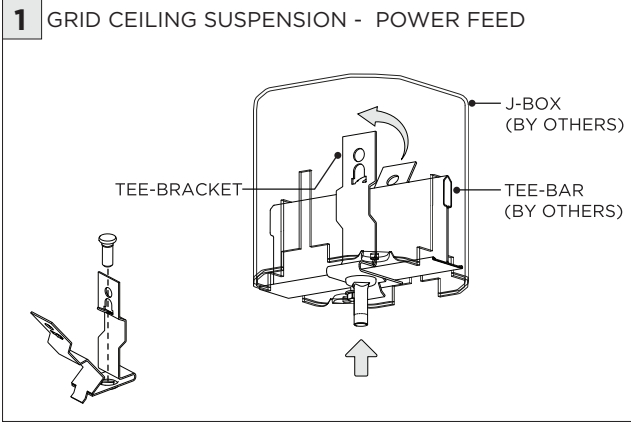
**i** FIXTURE SUPPORT IS REQUIRED

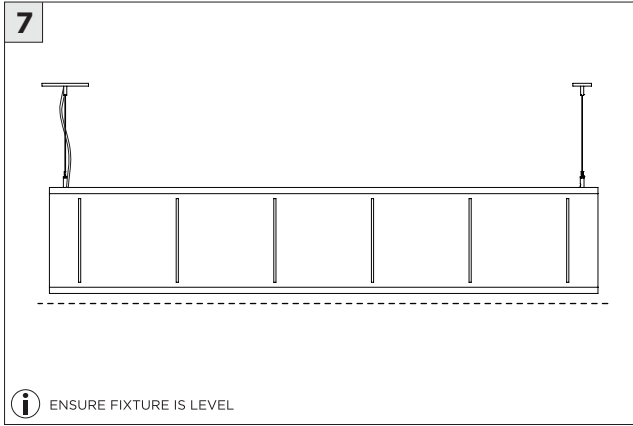
**6A** ELECTRICAL CONNECTIONS

WIRING LEGEND	
BLACK	HOT/LINE
WHITE	NEUTRAL
GREEN	GROUND
ORANGE	(DIM+)
PURPLE	(DIM-)



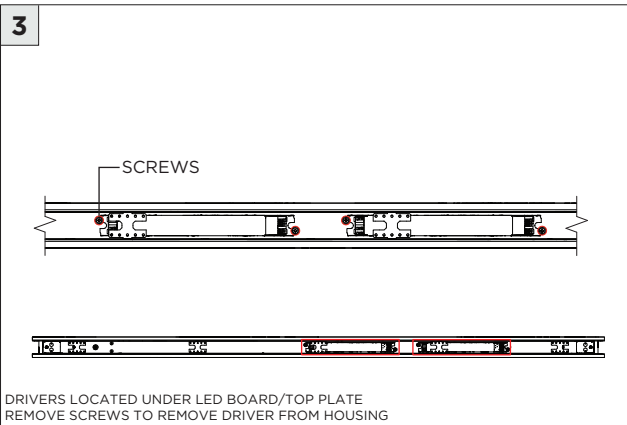
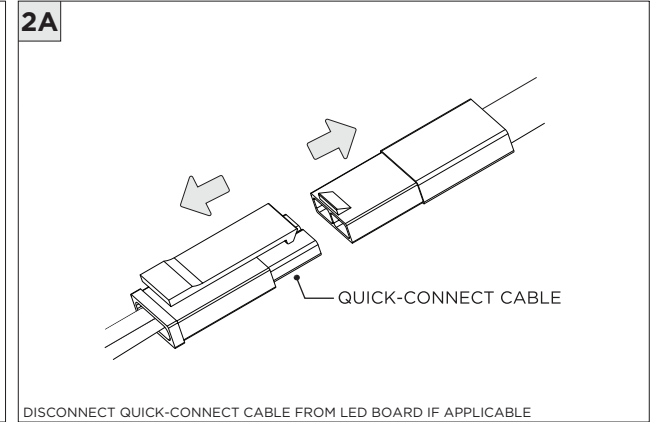
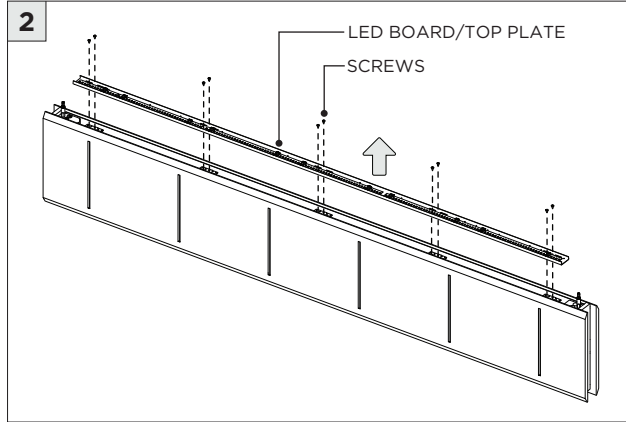
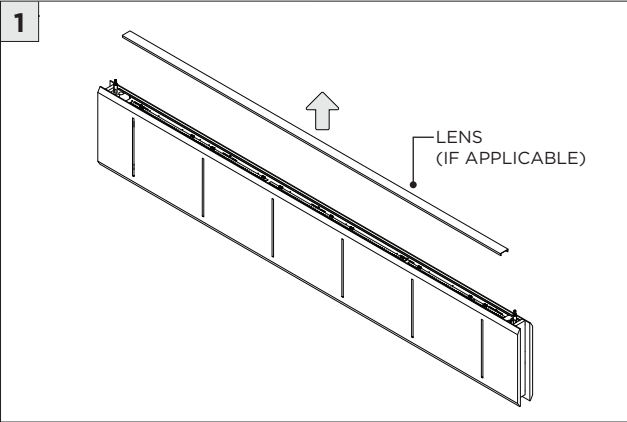




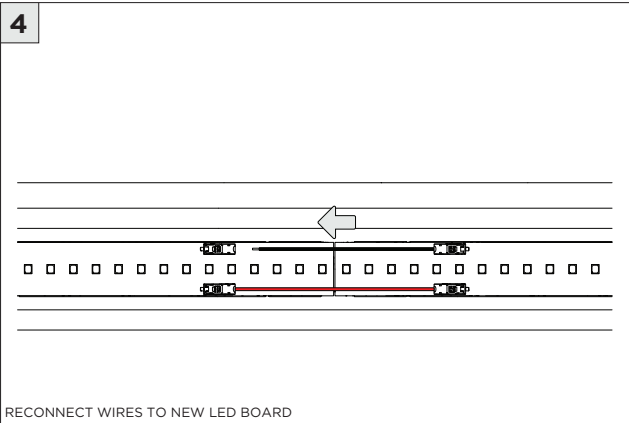
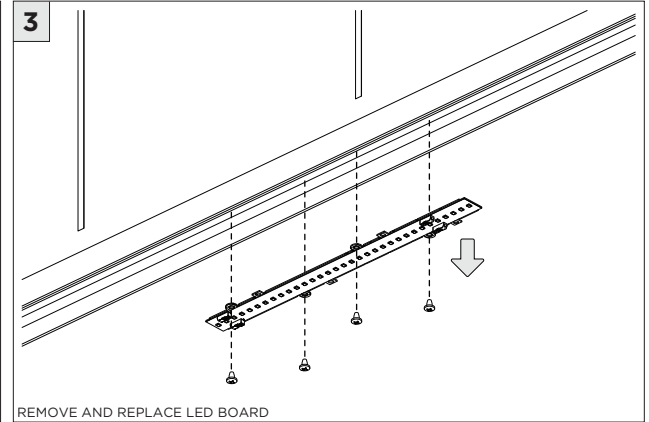
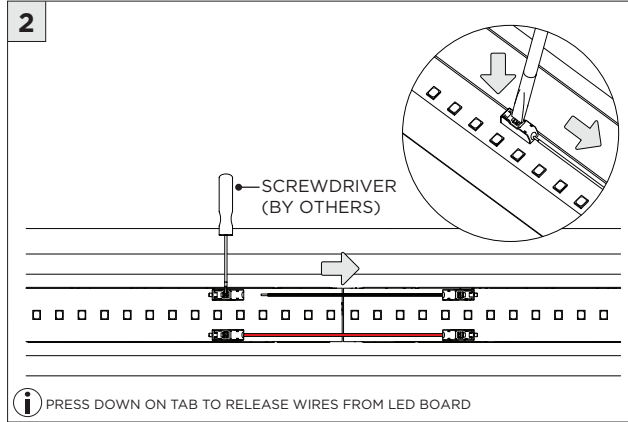
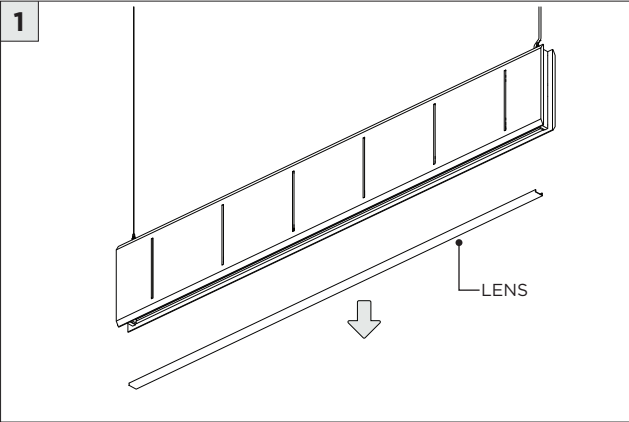




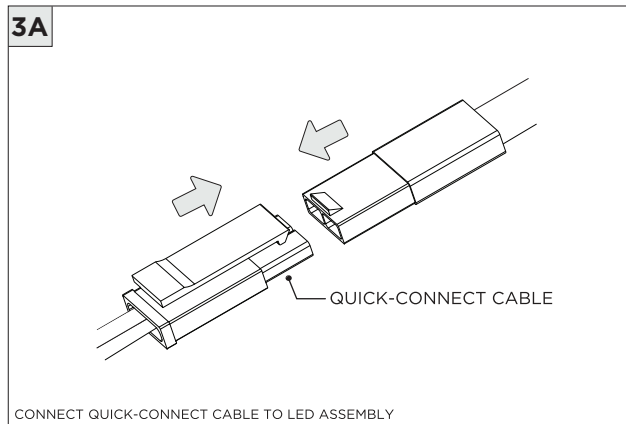
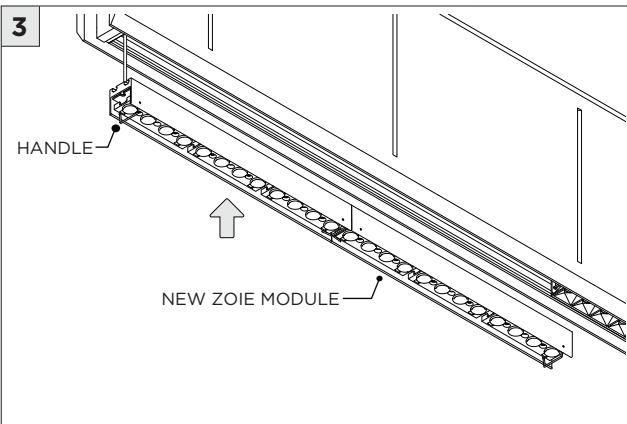
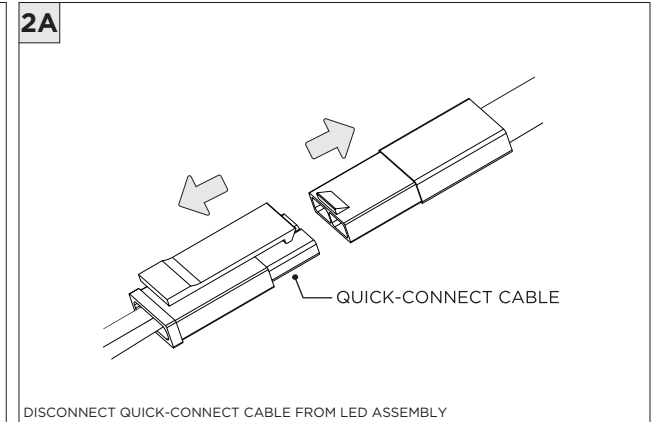
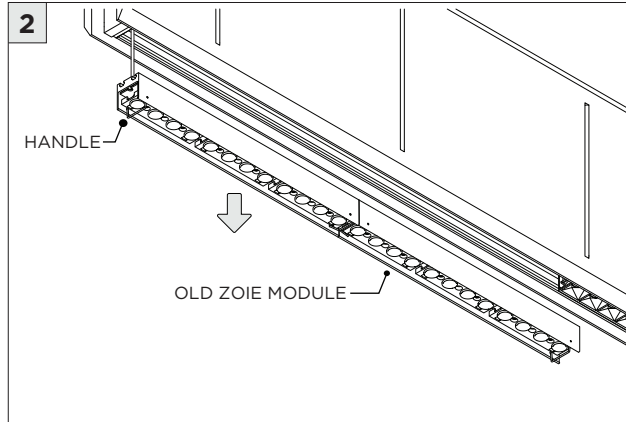
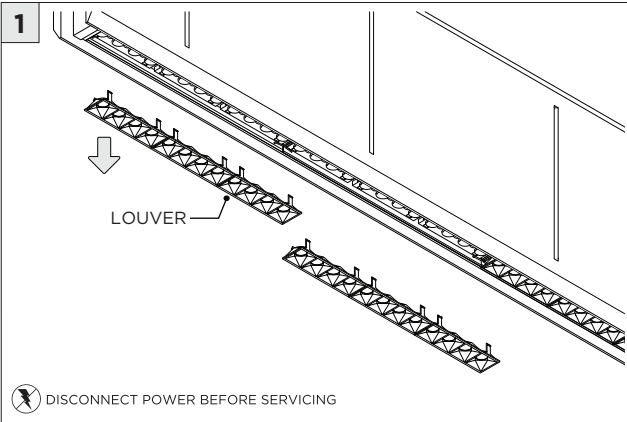
**DRIVER SERVICING**



**LED SERVICING - 1PLA - DIRECT**



**LED SERVICING - 1PZA - DIRECT**



**LED SERVICING - INDIRECT**

